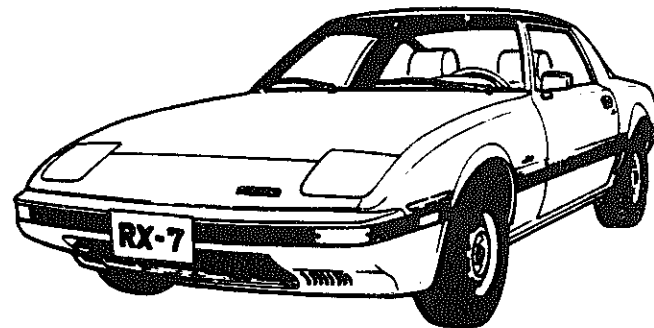





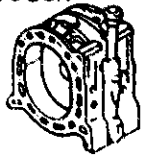

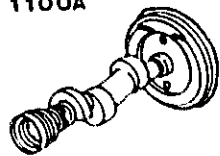

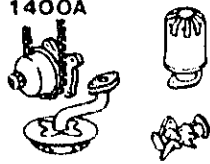

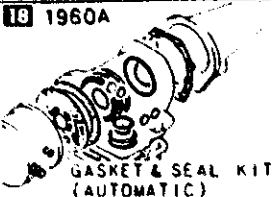
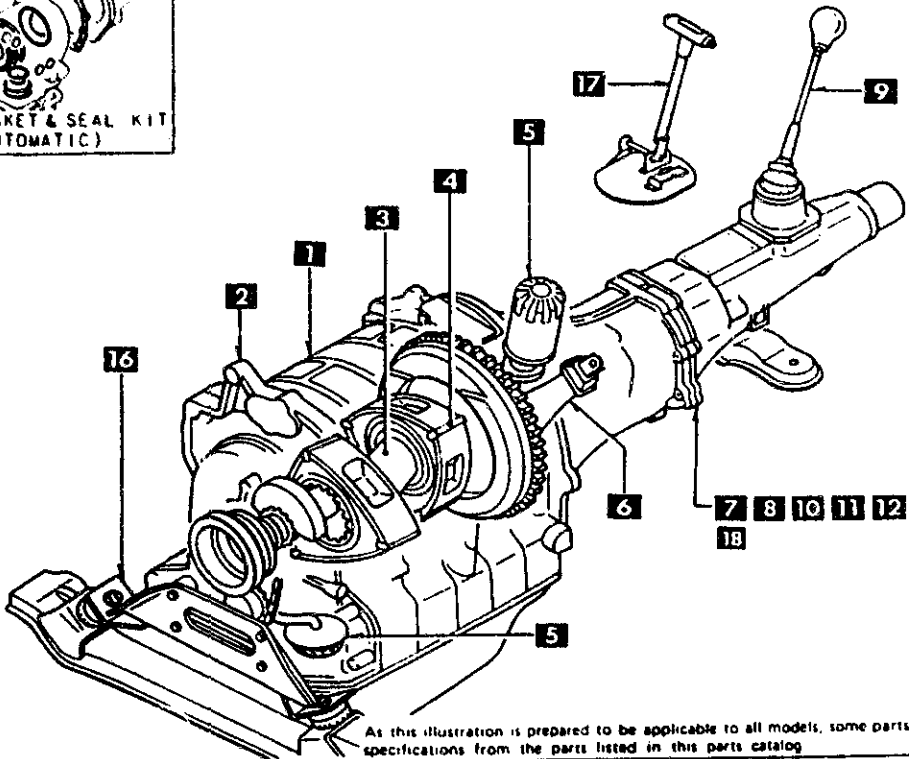
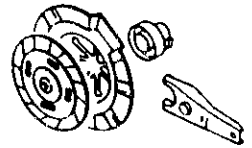
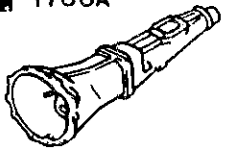
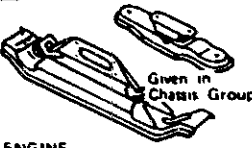
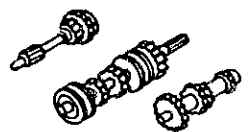

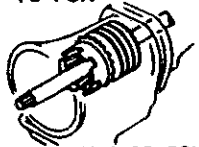

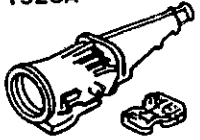
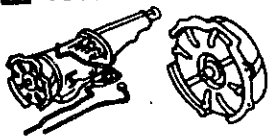
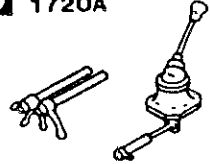
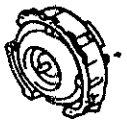
Parts Catalog

Mazda RX-7
U.S.A.
('84-'85)

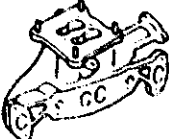

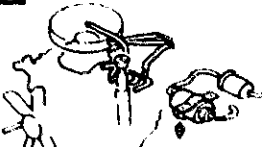



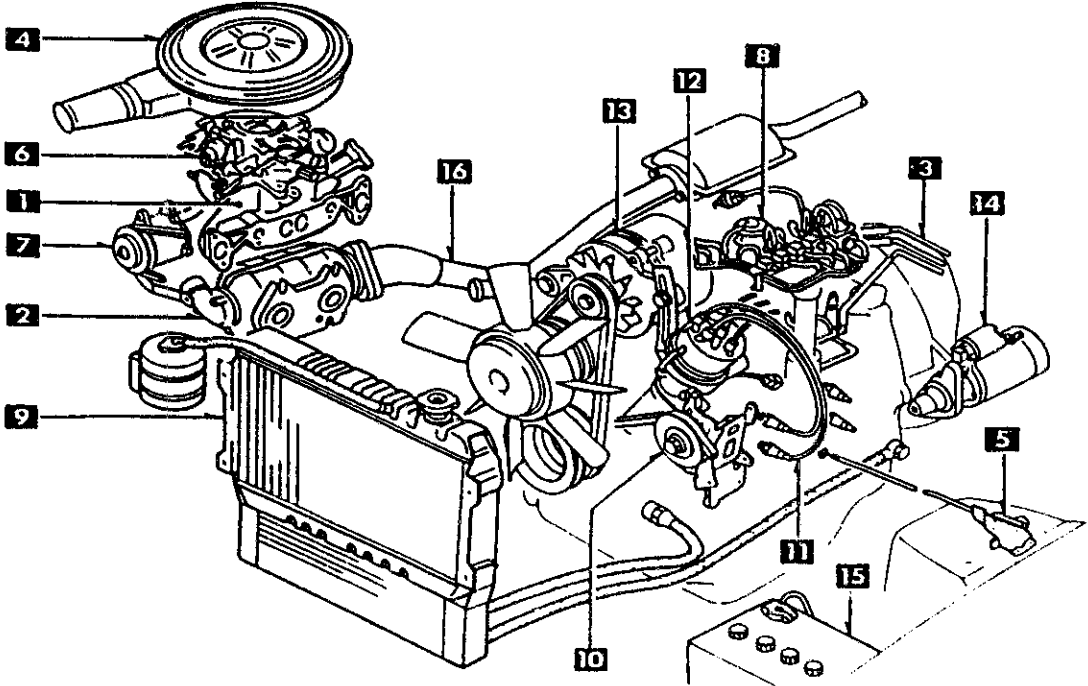
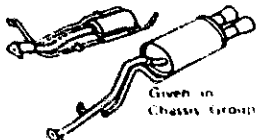


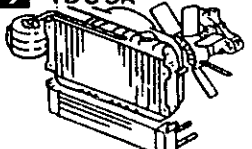
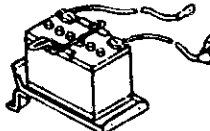
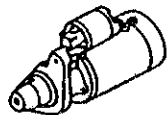
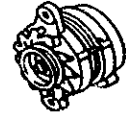

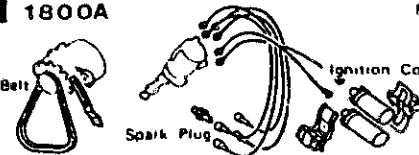



(FB33--800001~ 990000)

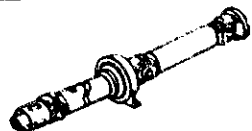
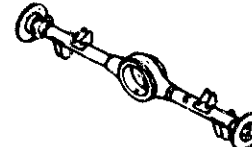
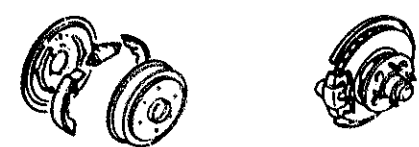
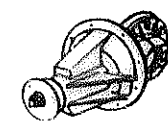
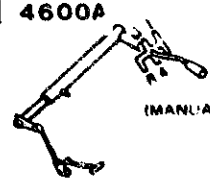
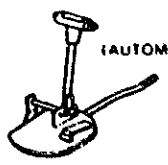
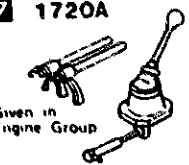
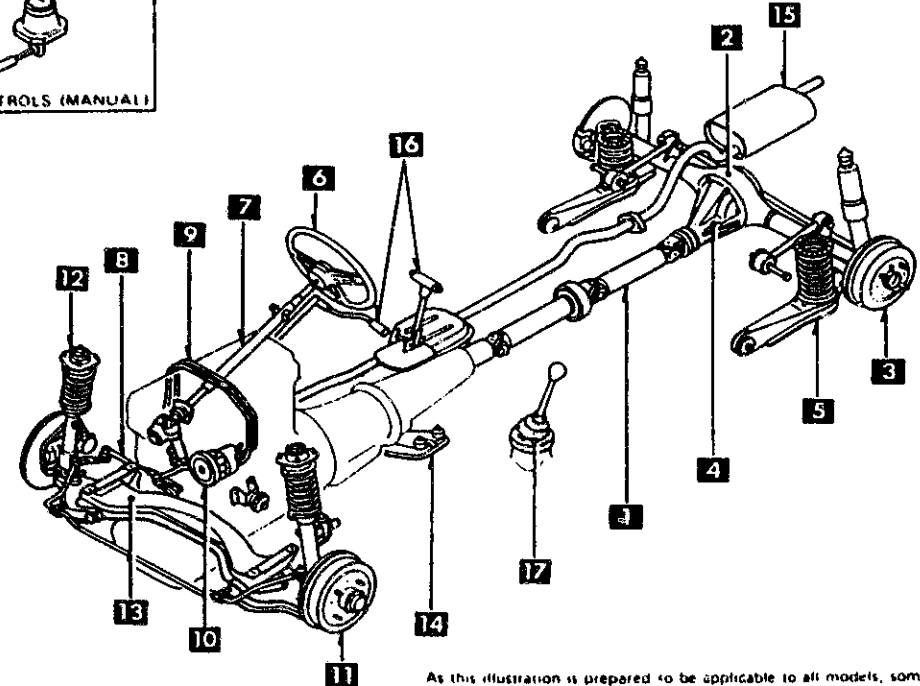
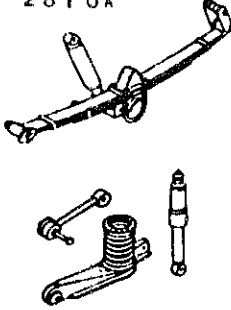
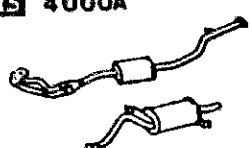

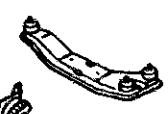
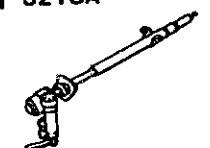
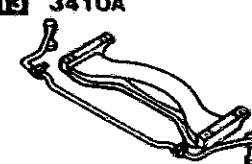
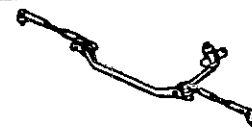


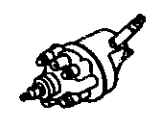
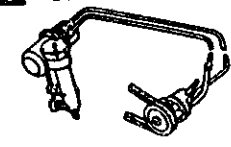
PICTORIAL INDEX

<p>1000A</p>  <p>Engine Gaskets</p>  <p>Transmission Gaskets</p>  <p>SHORT ENGINE & GASKET SETS</p>	<p>1 1030A</p>  <p>ROTOR HOUSING</p>	<p>2 1040A</p>  <p>OIL PAN & FRONT & REAR HOUSINGS</p>	<p>3 1100A</p>  <p>ECCENTRIC SHAFT & FLYWHEEL</p>	<p>4 1110A</p>  <p>ROTOR & RELATED</p>	<p>5 1400A</p>  <p>OIL PUMP & FILTER</p>	
<p>17 4600A</p>  <p>Given in Chassis Group</p> <p>CHANGE CONTROLS (MANUAL)</p>	<p>18 1960A</p>  <p>GASKET & SEAL KIT (AUTOMATIC)</p> <div style="text-align: center; margin-top: 20px;"> <p>ROTARY ENGINE (1/2)</p>  </div> <p style="font-size: small; text-align: center;">As this illustration is prepared to be applicable to all models, some parts are different in specifications from the parts listed in this parts catalog</p>				<p>6 1600A</p>  <p>CLUTCH (MANUAL)</p>	<p>7 1700A</p>  <p>T/MISSION CASE (MANUAL)</p>
<p>16 3900A</p>  <p>Given in Chassis Group</p> <p>ENGINE & T/MISSION MOUNTINGS</p>					<p>8 1710A</p>  <p>T/MISSION GEARS (MANUAL)</p>	
<p>15 1950A</p>  <p>MANUAL LINKAGE (AUTOMATIC T/MISSION)</p>	<p>14 1940A</p>  <p>LOW, REVERSE & GOVERNOR (AUTOMATIC T/MISSION)</p>	<p>13 1930A</p>  <p>CLUTCH & PLANETARY GEARS (AUTOMATIC T/MISSION)</p>	<p>12 1920A</p>  <p>CASE & MAIN CONTROLS (AUTOMATIC T/MISSION)</p>	<p>11 1910A</p>  <p>CONVERTER, OIL PUMP & PIPING (AUTOMATIC T/MISSION)</p>	<p>9 1720A</p>  <p>CHANGE CONTROLS (MANUAL)</p>	
				<p>10 1900A</p>  <p>TORQUE GLIDE (MANUAL)</p>		




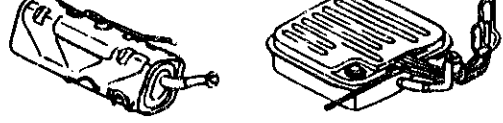

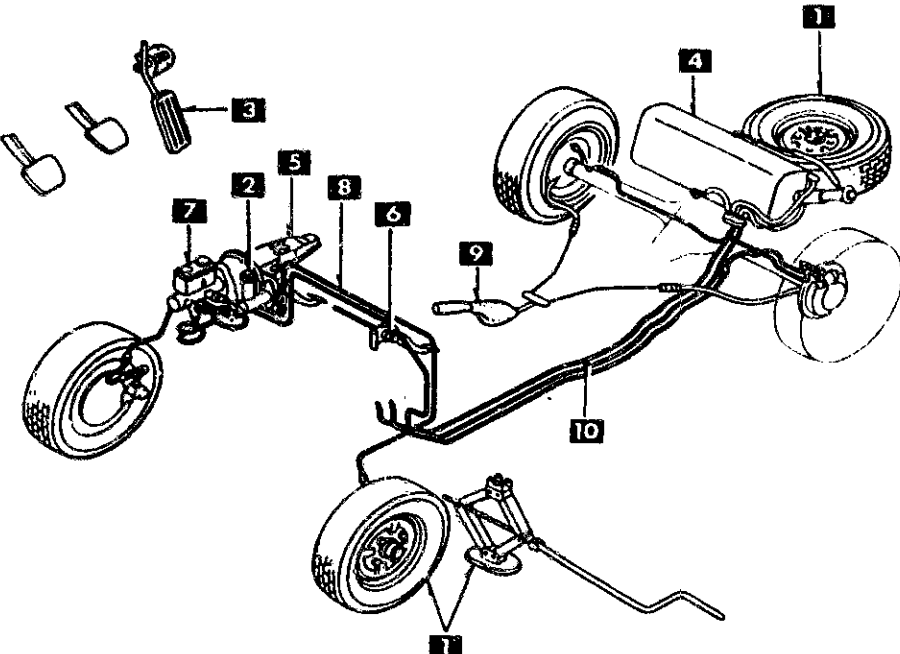
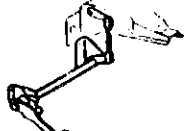
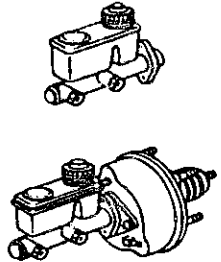



PICTORIAL INDEX

<p>1 1300A</p>  <p>IN MANIFOLD</p>	<p>2 1310A</p>  <p>THERMAL REACTOR</p>	<p>3 1320A</p>  <p>FUEL SYSTEM</p>	<p>4 1330A</p>  <p>AIR CLEANER</p>	<p>5 1350A</p>  <p>STARTING ASSIST SYSTEM</p>	<p>6 1359A, 1360A</p>  <p>CARBURETOR</p>
<p>ROTARY ENGINE (2/2)</p>  <p>As this illustration is prepared to be applicable to all models, some parts are different in specifications from the parts listed in this parts catalog</p>					
<p>16 4000A</p>  <p>EX SYSTEM</p>					<p>7 1371A</p>  <p>EMISSION CONTROLS (AIR PUMP & CONTROL VALVE)</p>
					<p>8 1380A</p>  <p>EMISSION CONTROLS (EX SIDE)</p>
					<p>9 1500A</p>  <p>COOLING SYSTEM</p>
<p>15 1850A</p>  <p>BATTERY & CABLES</p>	<p>14 1840A</p>  <p>STARTER</p>	<p>13 1830A</p>  <p>ALTERNATOR</p>	<p>12 1820A</p>  <p>DISTRIBUTOR</p>	<p>11 1800A</p>  <p>ELECTRICAL SYSTEM (ENGINE)</p>	<p>10 1580A</p>  <p>COMPRESSOR BRACKET PULLEY & BELT (AIR CONDITIONER)</p>





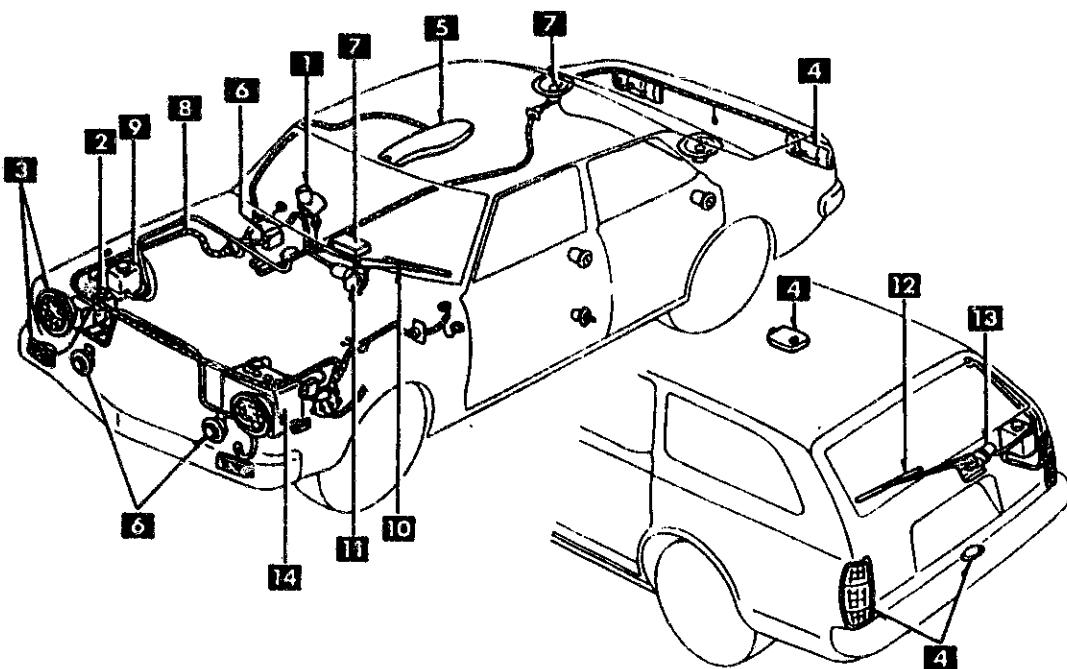
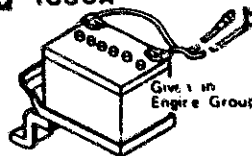
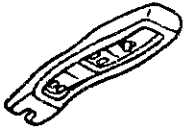

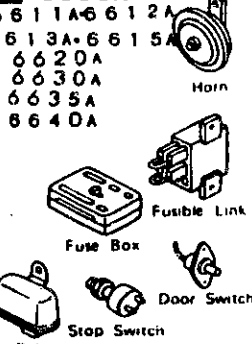
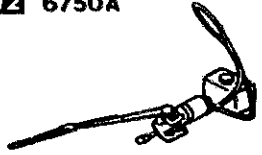


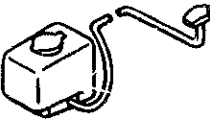
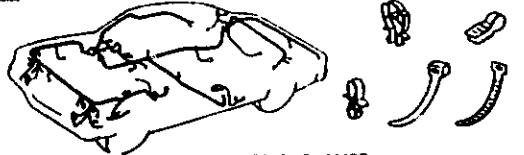
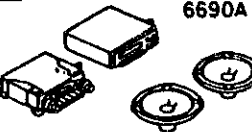
PICTORIAL INDEX

<p>1 2500A</p>  <p>PROPELLER SHAFT</p>	<p>2 2600A</p>  <p>REAR AXLE</p>	<p>3 2610A</p>  <p>REAR BRAKES</p>	<p>4 2700A</p>  <p>DIFFERENTIAL</p>	
<p>16 4600A</p>  <p>(MANUAL)</p>  <p>(AUTOMATIC)</p> <p>CHANGE CONTROLS</p>	<p>17 1720A</p>  <p>Given in Engine Group</p> <p>CHANGE CONTROLS (MANUAL)</p>	<p>CHASSIS (1/2)</p> 		<p>5 2800A 2810A</p>  <p>REAR STABILIZER REAR SUSPENSION</p>
<p>15 4000A</p>  <p>EX SYSTEM</p>	<p>As this illustration is prepared to be applicable to all models, some parts are different in specifications from the parts listed in this parts catalog</p>		<p>6 3200A</p>  <p>STEERING WHEEL</p>	
<p>14 3900A</p>  <p>ENGINE & TRANSMISSION MOUNTINGS</p>			<p>7 3210A</p>  <p>STEERING GEAR & COLUMN</p>	
<p>13 3410A</p>  <p>CROSSMEMBER & STABILIZER</p>			<p>8 3230A</p>  <p>STEERING LINKAGE</p>	
<p>12 3400A</p>  <p>FRONT SUSPENSION</p>	<p>11 3300A</p>  <p>FRONT AXLE & BRAKES</p>	<p>10 3260A</p>  <p>VANE PUMP (POWER STEERING)</p>	<p>9 3240A</p>  <p>POWER STEERING SYSTEM</p>	

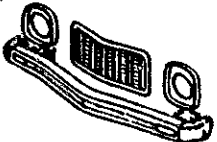



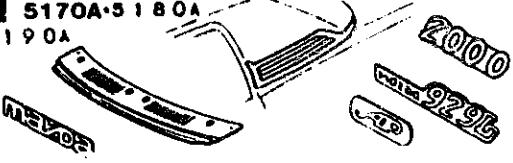
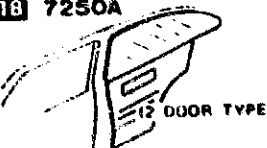
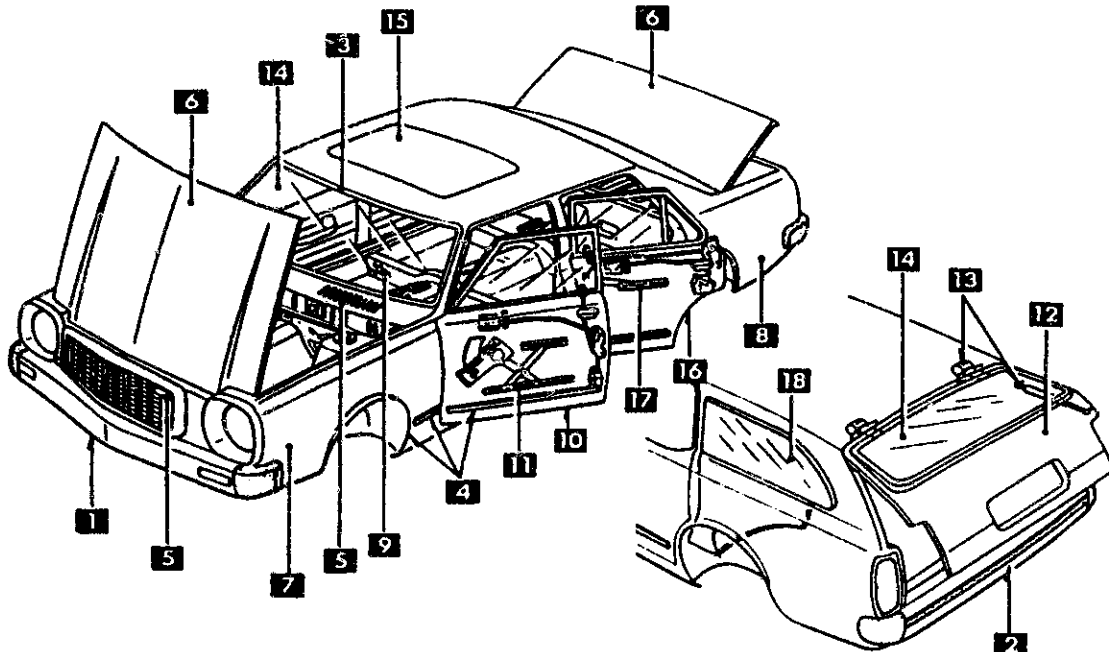
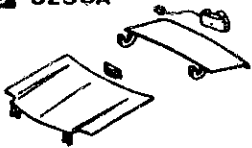
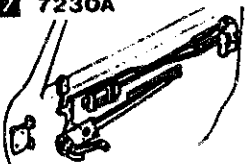
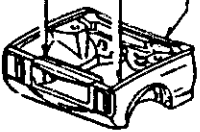

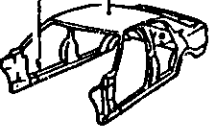

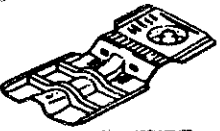

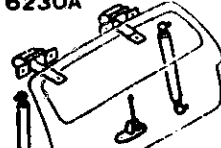
PICTORIAL INDEX

<p>1 3700A</p>  <p>TIRE & JACK</p>	<p>2 4140A</p>  <p>CLUTCH RELEASE & MASTER CYLINDERS</p>	<p>3 4160A</p>  <p>ACCELERATOR CONTROLS</p>	<p>4 4200A</p>  <p>FUEL TANK</p>	<p>5 4300A</p>  <p>CLUTCH & BRAKE</p>			
<p>CHASSIS (2/2)</p>  <p>As this illustration is prepared to be applicable to all models, some parts are different in specifications from the parts listed in this parts catalog.</p>					<p>6 4310A</p>  <p>ASSIST BRAKE (FOR DRIVING SCHOOL)</p>	<p>7 4340A</p>  <p>TANDEM MASTER CYL & VACUUM POWER ASSIST SYSTEM</p>	<p>8 4360A</p>  <p>BRAKE PIPING</p>
			<p>10 4500A</p>  <p>FUEL & EVAPORATION PIPINGS</p>	<p>9 4400A</p>  <p>PARKING BRAKE SYSTEM</p>			

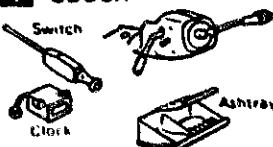
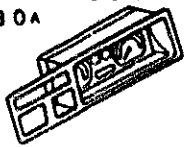

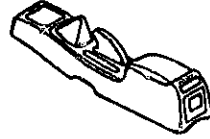
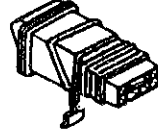
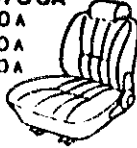
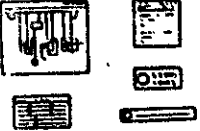
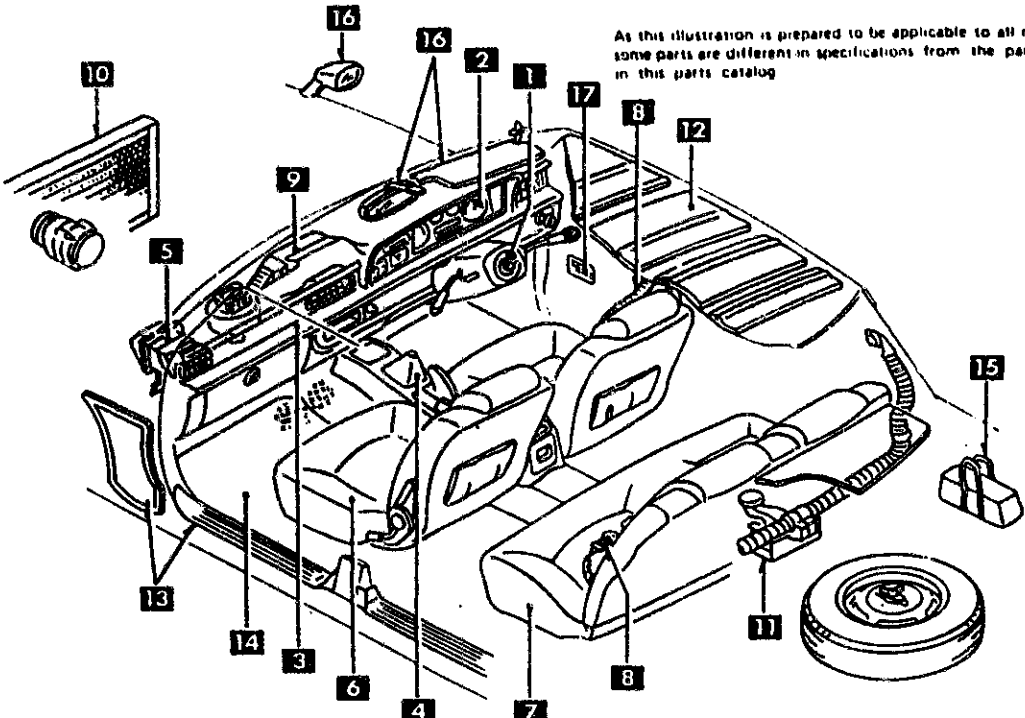
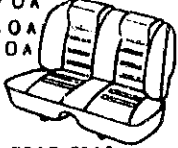


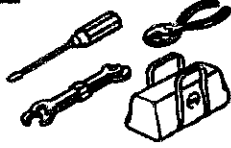
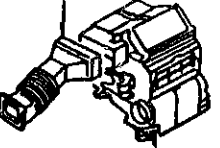
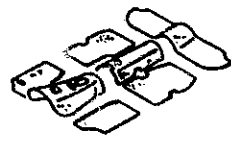
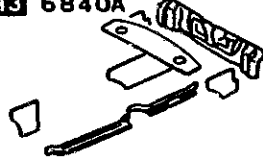

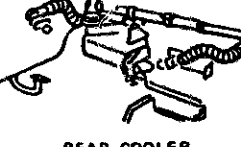
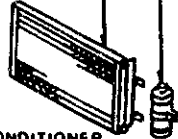


PICTORIAL INDEX

<p>1 0900A</p>  <p>KEY SETS</p>	<p>2 5020A</p>  <p>HEAD LAMP CLEANER</p>	<p>3 5100A • 5105A • 5103A</p>  <p>HEADLAMP RETRACTOR LAMPS (FRONT & SIDE)</p>	<p>4 5110A • 5120A 5125A</p>  <p>LAMPS (REAR & INTERIOR)</p>
<p>BODY(1/3)</p> 			
<p>14 1850A</p>  <p>BATTERY & CABLES</p>	<p>As this illustration is prepared to be applicable to all models, some parts are different in specifications from the parts listed in this parts catalog</p>	<p>5 5130A</p>  <p>OVERHEAD CONSOLE</p>	
<p>13 6760A</p>  <p>REAR WINDOW WIPER MOTOR (COMPONENTS ONLY)</p>		<p>6 6600A • 6610A 6611A • 6612A 6613A • 6615A 6620A 6630A 6635A 6640A</p>  <p>Horn Fusible Link Fuse Box Door Switch Stop Switch Relay</p>	
<p>12 6750A</p>  <p>REAR WINDOW WIPER & WASHER</p>		<p>11 6740A</p>  <p>WIPER MOTOR (COMPONENTS ONLY)</p>	<p>10 6730A</p>  <p>WINDSHIELD WIPER</p>
<p>9 6720A</p>  <p>WINDSHIELD WASHER</p>	<p>8 6700A • 6701A • 6702A • 6703A • 6704A</p>  <p>WIRE HARNESS & CLAMPS</p>	<p>7 6680A, 6682A, 6684A 6690A</p>  <p>RADIO & STEREO SYSTEMS</p>	

PICTORIAL INDEX

<p>1 5000A-5005A</p>  <p>FRONT BUMPER & GRILLE</p>	<p>2 5010A</p>  <p>REAR BUMPER</p>	<p>3 5030A</p>  <p>WINDOW MOULDINGS</p>	<p>4 5040A-5060A 5080A</p>  <p>BODY MOULDINGS</p>	<p>5 5170A-5180A 5190A</p>  <p>COWL & EXTRACTOR GRILLES & ORNAMENTS</p>
<p>16 7250A</p>  <p>REAR WINDOW GLASS & TRIM (12 DOOR TYPE)</p>	<p style="text-align: center;">BODY(2/3)</p>  <p style="text-align: center; font-size: small;">As this illustration is prepared to be applicable to all models, some parts are different in specifications from the parts listed in this parts catalog</p>			<p>6 5230A</p>  <p>BONNET & TRUNK LID</p>
<p>17 7230A</p>  <p>REAR DOOR MECHANISMS</p>				<p>7 5310A,5320A,5330A</p>  <p>BODY PANELS (FRONT)</p>
<p>18 7200A REAR DOOR</p>  <p>TRIM & ARMREST 7240A</p>				<p>8 5340A,5360A</p>  <p>BODY PANELS (SIDE & ROOF)</p>
<p>15 6330A</p>  <p>SUNROOF</p>				<p>9 5370A,5390A</p>  <p>FLOOR ATTACHMENT, BODY PANELS (FLOOR)</p>
<p>14 6300A</p>  <p>WINDOW GLASSES</p>				<p>13 6230A</p>  <p>BACK DOOR MECHANISMS</p>

PICTORIAL INDEX

<p>1 5500A</p>  <p>Switch Clock Ashtray</p> <p>DASHBOARD EQUIPMENT</p>	<p>2 5540A·5520A 5530A</p>  <p>METERS</p>	<p>3 5560A 5550A</p>  <p>DASHBOARD & RELATED</p>	<p>4 5570A</p>  <p>CONSOLE</p>	<p>5 5580A</p>  <p>VENTILATOR</p>	<p>6 5700A 5710A 5720A 5730A</p>  <p>FRONT SEAT</p>
<p>17 6930A</p>  <p>CAUTION PLATES</p>	<p style="text-align: center;">BODY(3/3)</p> <p style="text-align: center;">As this illustration is prepared to be applicable to all models, some parts are different in specifications from the parts listed in this parts catalog</p> 				<p>7 5750A·5760A 5770A 5780A 5720A</p>  <p>REAR SEAT</p>
<p>16 6900A</p>  <p>VISOR, ASSIST HANDLE & MIRRORS</p>					<p>8 5790A</p>  <p>SEAT BELTS</p>
<p>15 6870A</p>  <p>SERVICE TOOLS</p>					<p>9 6100A</p>  <p>6110A 6120A 6115A</p> <p>HEATER</p>
<p>14 6860A</p>  <p>FLOOR MATS & PADS</p>					
<p>13 6840A</p>  <p>TRIM & SCUFF PLATE</p>					
<p>12 6800A.6820A</p>  <p>CEILING TRIM</p>	<p>11 6180A</p>  <p>REAR COOLER</p>	<p>10 6130A</p>  <p>AIR CONDITIONER</p>	<p>(ENGINE GROUP)</p> <p>1580A</p> 	<p>6140A 6150A</p> 	

MODEL IDENTIFICATION

1984 MODEL MANUFACTURED FROM SEPT. 1983 (FB33* 800001-)

1985 MODEL MANUFACTURED FROM JULY 1984 (FB33* 850001-)

MODEL NO.	SEATS		ENGINE		T/M		BRAKE		DOOR		WHEELS		VIN	
	C	F	R	R	A	A	P	4	S	H	1	1		
	A	E	O	O	N	A	R	W	U	O	9	9		
	L	D	T	T	A	U	O	N	N	R	8	8		
	I	E	A	A	L	T	M	E	R	N	4	4		
	F	R	R	R	L	A	T	L	O	A				
	R	E	Y	Y	S	O	O	D	O	L				
	E	R	12A	12B	E	O	O	I	O	R				
	R	I			S	D	I	S	F	R				
	A				P	C	C			O				
FB60	X		X		X		X			X	X	X	FB33* 800001-990000	
FB61	X		X		X	X				X	X	X	FB33* 800001-990000	
FB62	X		X		X		X		X		X	X	FB33* 800001-990000	
FB63	X		X		X	X			X		X	X	FB33* 800001-990000	
FB64	X		X		X			X	X		X	X	FB33* 800001-990000	
FB65	X		X		X		X	X			X	X	FB33* 800001-990000	
FB67	X			X	X			X	X		X	X	FB33* 800001-990000	
FB78	X			X	X			X		X	X	X	FB33* 800001-990000	
FB84		X	X		X		X			X	X	X	FB33* 800001-990000	
FB85		X	X		X	X				X	X	X	FB33* 800001-990000	
FB86		X	X		X		X		X		X	X	FB33* 800001-990000	
FB87		X	X		X	X			X		X	X	FB33* 800001-990000	
FB88		X	X		X			X	X		X	X	FB33* 800001-990000	
FB89		X	X		X		X	X			X	∇	FB33* 800001-990000	
FB66		X		X	X			X	X		X	X	FB33* 800001-990000	
FB77		X		X	X			X		X	X	X	FB33* 800001-990000	
FB94		X			X			X		X	X	X	FB33* 850001-990000	
FB95		X	X			X		X		X	X	X	FB33* 850001-990000	

LIST OF MONTHLY STARTING VIN

1983

MODEL	TR./MO.	JAN. 83/1	FEB. 83/2	MAR. 83/3	APR. 83/4	MAY 83/5	JUN. 83/6	JUL. 83/7	AUG. 83/8	SEP. 83/9	OCT. 83/10	NOV. 83/11	DEC. 83/12
FB33*										808801	808882	808531	811185

1984

MODEL	TR./MO.	JAN. 84/1	FEB. 84/2	MAR. 84/3	APR. 84/4	MAY 84/5	JUN. 84/6	JUL. 84/7	AUG. 84/8	SEP. 84/9	OCT. 84/10	NOV. 84/11	DEC. 84/12
FB33*		815218	819685	824687	829422	834333	839137 (854801)	850013	854289	851829	856065	871511	876904

1985

MODEL	TR./MO.	JAN. 85/1	FEB. 85/2	MAR. 85/3	APR. 85/4	MAY 85/5	JUN. 85/6	JUL. 85/7	AUG. 85/8	SEP. 85/9	OCT. 85/10	NOV. 85/11	DEC. 85/12
FB33*		881177	885829	888476	893766	899625	905188	909988	912688	---	---	---	---

INSTRUCTIONS

HOW TO LOCATE PARTS IN THE CATALOG

Realistically, there can only be four possible scenarios when looking for a part(s). These are:

1. Either image of the part or the location on vehicle are known.
2. D-Code and/or Group number (of part) are known.
3. Part Number is known.
4. Name of part is known.

If one or more of the items listed above are known, the parts catalog user may use the appropriate index to facilitate part(s) location. The four indexes that may be used are:

PICTORIAL INDEX -

Use if either the image of the part and/or location on vehicle are known.

SECTION NUMBER INDEX -

Use if D-Code, Group Number or type of part is known.

PART NUMBER INDEX -

Use if part number is known.

ALPHABETICAL INDEX -

Use if name of part is known.

The following two pages outline how to use these indexes.

USING THE PICTORIAL INDEX

1. The PICTORIAL INDEX is the 1st column of every fiche.
2. Decide whether the desired part is an engine, chassis or body part.
3. Look through the PICTORIAL INDEX for the part. Take note of all possible fiche locations where the part may be found. This information will be useful in thoroughly tracking down the part.
4. Once the appropriate illustration is found, note the section number. Refer to the SECTION NUMBER INDEX for fiche location.

USING THE SECTION NUMBER INDEX

1. The SECTION NUMBER INDEX is the first row of every fiche.
2. The column labeled STARTING LOCATION denotes the microfiche GRID LOCATION for a particular section.

EXAMPLE:

1 - G6

1 = denotes the fiche number, i.e., 1 of 3, 2 of 3, 3 of 3

G = denotes the horizontal row location

6 = denotes the vertical column location

3. As an additional feature, the sections located in every column are enclosed in a "highlight box" in the SECTION NUMBER INDEX.
4. At this point, it is just a simple matter of going to the correct frame and locating the desired part number.

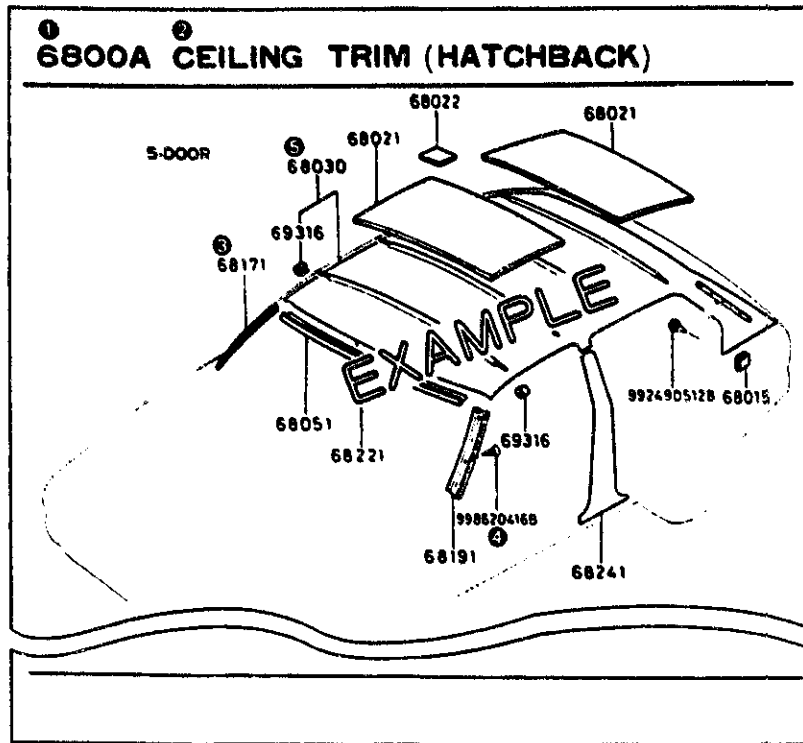
USING THE PART NUMBER INDEX

1. If the part number is known, simply use the PART NUMBER INDEX.
2. The PART NUMBER INDEX is located at the very end of the catalog, on the last fiche of a fiche set.
3. The index shows the section number and the grid location where the part number may be found.
4. When the PART NUMBER INDEX is used, remember that the part number is NOT read from "left to right". The base part number is read first. The base part number consists of the center two digits plus the next three (or four) digits to the right.
5. Use the grid location to go to the appropriate frame where the part number may be found. Cross-reference the part number with the illustration and text to ensure that it is indeed the desired part.

USING THE ALPHABETICAL INDEX

1. If the name of the part is known, simply use the ALPHABETICAL INDEX.
2. The ALPHABETICAL INDEX is located right before the PART NUMBER INDEX, at the very end of the catalog, on the last fiche of a fiche set.
3. The ALPHABETICAL INDEX contains the section number and the grid location where the desired part may be found.
4. Use the grid location to go to the appropriate frame where the part number may be found. Cross-reference the part number with the illustration and text to ensure that it is indeed the desired part.

HOW TO INTERPRET THE ILLUSTRATION



In the example shown above, the interpretation of each item appearing in the illustration area is as follows.

① SECTION NUMBER

Each illustration is given a Section Number, which is a "IDENTIFICATION NUMBER" of the group of parts classified in function.

Section Number basically consists of four numeric characters and alpha "A". But when a Section (a group of parts) is shown in more than one illustration over the same catalog, an additional alphabetical character is incorporated, e.g.,

Section No	Section Name
6800A	Ceiling Trim (Hatchback)
6800AA	Ceiling Trim (Wagon)

[Note]

Illustrations are always arranged in numerical sequence by SECTION NUMBER throughout the fiches in the set. (Exception: Section No. "0900A key Sets" is located in the first section of Body group.)

② SECTION NAME

This is a descriptive name of the illustration (the group of parts).

③ D-CODE (KEY NUMBER)

D-Code consists of five or six digits, and serves as a "KEY NUMBER" to co-ordinate a part's illustration with its related text.

[Note]

Those parts which appear in the illustration without D-Code are not available as spare parts. (Exception: Most Standard Parts do not have D-Code, but are available as spare parts.)

④ STANDARD PART NUMBER

Those parts which are standardized in form, dimension, material, etc. such as bolts, nuts, washers, etc. are called "Standard Parts". In most cases, Standard Part Numbers are shown on the illustration instead of via the D-Code, and are distinguished from D-Code by the number which consists of nine or ten digits starting with "9", e.g., 99862-0416B. Those Parts do not appear in the text and part number index.

⑤ ASSEMBLY AND COMPONENTS' RELATIONSHIP

The relationship between an Assembly and its Components is indicated in the illustration but not in the text.

If the D-Code appeared as the example, the correct interpretation of that would be: D-Code 68030 includes D-Code 69316 and Top Ceiling (no D-Code indicated).

HOW TO INTERPRET THE TEXT

IMPORTANT

As there are many abbreviated words used in the text, refer to "Abbreviation List" located in the lower corner of each fiche (frame No. N1).

6800A-1 CEILING TRIM (HATCHBACK)

D-CODE (Key No.)	PART NAME	PART No.	Qty	MODEL/DESCRIPTION	VIN (Chassis No.)
68030	CEILING TOP	8531-68-030	1	(USE W/DEFROSTER) 3-DOOR	
	BLACK	00			
	BEIGE	31			
	BLACK	00		(USE W/O DEFROSTER) 5-DOOR	
	BEIGE	31			
68051	PLATE, T/CEILING	8531-68-051	1		FA4PS... 500001 -522626 FA4TS... 500001 -688439 ① FA4PS... 522627- FA4TS... 688440-
		<AN>			
		*8531-68-051A	1		

In the example shown above, the interpretation of the information appearing in each column is as follows.

① D-CODE (KEY NUMBER)

This is to serve as a "KEY NUMBER" to co-ordinate with a part on the illustration. Those parts which are identical in function and descriptive name, are given a common code over the Mazda Spare Parts. Within each Section Number, the D-Code appears in numerical sequence.

② PART NAME

Part Names are shown in English and/or French and/or Spanish and/or German, depending upon Catalogs and are given to each "D-CODE".

③ COLOR NAME

Color Names appear here when Color Codes are indicated in the "PART No." column. These are shown in English only.

④ PART NUMBER

Under the same D-Code, if there are more than one Part Number, Part Numbers are always listed in numerical and/or alphabetical sequence regardless of the order of modification history of parts.

⑤ COLOR CODE

When Color Code(s) appear(s), the indicated Part Number requires the Color Code to properly identify the color of the part, e.g., 8531-68-030 00, 8531-68-030 31.

⑥ QUANTITY

This denotes the Quantity of each part number per the D-Code used on the applicable model(s).

⑦ DESCRIPTION

An additional descriptive information for each part is provided as necessary.

⑧ MODEL APPLICATION

Model Application for a part is shown in this column if necessary. If there is no Model Application indicated, the affected part is applicable to "ALL MODELS" covered in the page. For further information, refer to "HOW TO INTERPRET THE MODEL APPLICATION" shown later (frame No. G16).

⑨ INTERCHANGEABILITY CODE

The code in < > brackets appearing in this column indicates the level of interchangeability between the indicated part and the former one. For the definition of the Codes, refer to "INTERCHANGEABILITY CODE LIST" shown in the lower corner of each fiche (frame No. N1).

⑩ NEW PART NUMBER'S SIGN

An asterisk (*) appearing in the "Part Number" column indicates that the affected Part Number has been newly added since the last edition.

⑪ VIN (CHASSIS No.)

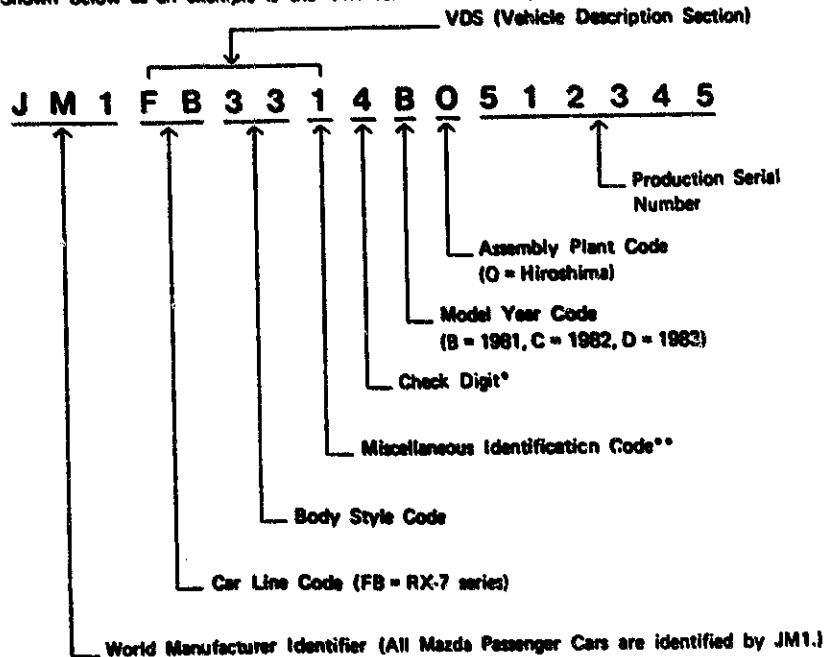
VIN (Vehicle Identification Number) is shown in this column if necessary, to identify the vehicles applicable to the affected part. For further details, refer to "HOW TO INTERPRET THE VIN (CHASSIS No.)" located in frame No. H16 of this fiche.

HOW TO INTERPRET THE VIN (CHASSIS No.)

VEHICLE IDENTIFICATION SYSTEM FOR MAZDA RX-7 SERIES (1981--)

Vehicle Identification Number (VIN) for RX-7 (1981 and later year models) consists of World Manufacturer Identifier, Vehicle Description Section (VDS), Check Digit, Model Year Code and Production Serial Number which is sequentially numbered within each VDS.

Shown below as an example is the VIN for Mazda RX-7 (1981 model).



* Check Digit is included as a VIN security feature to permit law enforcement verification of the authenticity of a suspected illegal VIN plate. This single digit number is determined, based upon a complex mathematical formula which is applied to each vehicle's VIN number.

** Miscellaneous Identification Code identifies major components such as engine, brake system, cab type, etc. However, if all models of the same car line use the same such components, this code is indicated as a numeric character "1" only.

VIN PRESENTATION ON THE PARTS CATALOG

VIN does NOT ALWAYS APPEAR. No "VIN" indicated denotes that a Part is applicable to the affected model from the FIRST PRODUCTION and ON (up to now).

If the information in the "VIN" column appeared as the example below:

6230A-1 BACK DOOR MECHANISMS (HATCHBACK)

D-CODE (Key No.)	PART NAME	PART No.	Qty	MODEL/DESCRIPTION	VIN (Chassis No.)
62210A	HINGE, BACK DOOR	8531-62-2108	2	1000 1300	FA4PS... 500001 -522626 FA4TS... 500001 -688439
		-8531-62-210D	2		FA4PS... 522627- FA4TS... 688440- FA4US... 500001-
62310	LOCK, BACK DOOR	8531-62-3108	2		


... the correct interpretation of the above would be:

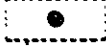


- ① Part No. 8531-62-2108 is applicable to Model 1000 from VIN FA4PS-500001 thru FA4PS-522626 and Model 1300 from VIN FA4TS-500001 thru FA4TS-688439 for the Hatchback respectively.
- ② Part No. 8531-62-210D is applicable to Model 1000 from VIN FA4PS-522627 and on, Model 1300 from VIN FA4TS-688440 and on, and Model 1400 from VIN FA4US-500001 (the first production) and on for the Hatchback respectively.
- ③ Part No. 8531-62-3108 is applicable to ALL MODELS (1000, 1300 and 1400) of the Hatchback series from the FIRST PRODUCTION and ON (up to now).

HOW TO INTERPRET THE MODEL APPLICATION

Model Application does NOT ALWAYS APPEAR. No "Model Application" indicated denotes that a Part is applicable to ALL MODELS covered by the affected page.

If the information in the "MODEL/DESCRIPTION" column appeared as the example below:

4000A-1 EX. SYSTEM (HATCHBACK) 

D-CODE (If any No.)	PART NAME	PART No.	Dr.	MODEL/DESCRIPTION	VIN (Chassis No.)
40061	HANGER SILENCER	3874-40-060			
40081	BRACKET	3952-40-080A		CAL. 	
		8021-40-080C		FED. 	

... the correct interpretation of the above would be:

- ① Part No. 3874-40-060 is applicable to All of Hatchbacks.
- ② Part No. 3952-40-080A is applicable to the Hatchbacks for California applications.
- ③ Part No. 8021-40-080C is applicable to All Hatchbacks for Federal applications.

CAL. = California

FED. = Federal

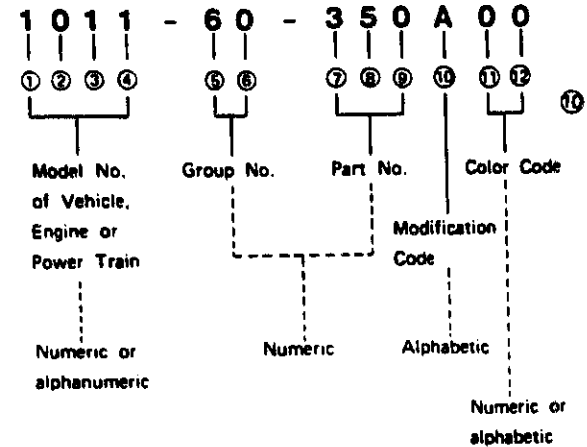
MAZDA PART NUMBERING SYSTEM

Mazda Part Numbers are generally classified into three categories: General Parts, Standard Parts and Special Tools.

MAZDA GENERAL PARTS

The Part Number basically consists of nine or ten digits. The 10th digit (if applicable) denotes modification of the part. It has twelve digits when a color code consisting of two digits is required.

EXAMPLE



(Note)

If a color code was required but not modification code, the 10th digit would be blank and the color code would follow, e.g.,

1011-60-350, 00

↑
blank

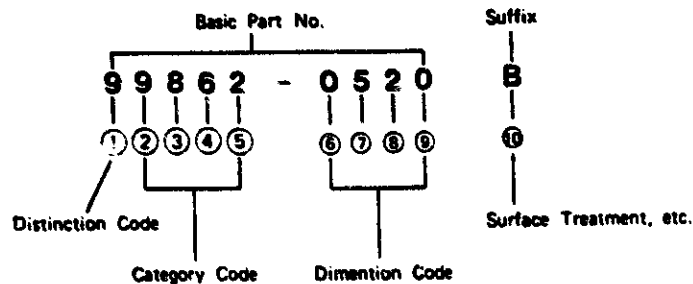
MAZDA STANDARD PARTS

Those Parts which are standardized in form and dimension such as Bolts, Nuts, Washers, Hoses, Disc Wheels, etc. are called Mazda Standard Parts.

All the Mazda Standard Parts are identified by a Part Number starting with "9". The numbering structure of Standard Parts varies depending upon the kind of parts.

The following is just one example of Standard Part Numbers. For further details and examples, refer to the wall chart, "LIST OF STANDARD PARTS".

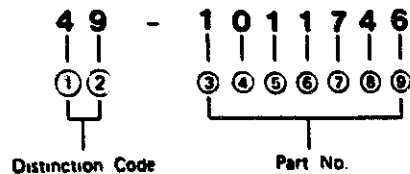
EXAMPLE



MAZDA SPECIAL TOOLS

In order to repair Mazda Vehicles, certain equipment is required. Those are called Mazda Special Tools.

EXAMPLE



[Note]

As Mazda Special Tools are not shown in the Parts Catalog, refer to "LIST OF SPECIAL TOOLS & APPLYING MODELS" as for further details.

INTERCHANGEABILITY CODE LIST

Code	Definition
AN	(Both Ways) A new part and the former part are fully interchangeable.
A	(One Way) A new part can be used in place of the former part, but the former part cannot be used in place of a new part.
C	Plus A new part with some additional part(s) can be used in place of the former part.
G	Plus Some modification work is required to use a new part in place of the former part.
S	(One Way Backward) The former part can be used in place of a new part, but a new part cannot be used in place of the former part.

ABBREVIATION LIST

ABBREV.	MAY REPLACE	ABBREV.	MAY REPLACE
1ST	First	CAL	California
2ND	Second	CASS.	Cassette
3RD	Third	CAT.	Category
4TH	Fourth	Cd	Coefficient Of Drag
4 SPD	Four Speed	CD	Compact Disk
4WS	Four Wheel Steering	C.G.R.	Constant Gear Ratio
4WD, 4X4	Four Wheel Drive	CHG.	Change
5TH	Fifth	CHK.	Check
5 SPD	Five Speed	CHMBR	Chamber
		CHN.	Chain
A.A.	Aral Atomum	CIGAR.	Cigarette
A.A.S.	Auto Adjusting Suspension	CI	Coefficient Of Lift
ABS	Anti Lock Braking System	CLPR	Caliper
AC	Air Conditioning	CVTR.	Converter
A.C.C.	Automatic Cruise Control	COMB.	Combination
ACCEL.	Accelerator	COND.	Condenser
A.C.V.	Air Control Valve	COMP.	Compressor
A.E.	Acoustical Equalizer	CONV.	Convertible
ALUM	Aluminum	C/P	Cab Plus
ALL	Automatic Lead Leveling	C.S.D.	Cold Start Device
ALT.	Alternator	CSTG.	Coating
AMP.	Amplifier	CTR.	Center
ANT.	Antenna	CTRL.	Control
APR.	April	CV	Constant Velocity
ASSY.	Assembly	CVR.	Cover
A/T	Automatic Transmission	CYL	Cylinder
AUG.	August		
AUTO.	Automatic	DASH.	Dashboard
		Db	Decibels
BAL.	Balance	DEC.	December
BELT.	Beltline	DEF.	Defroster
BFGR	B. F. Goodrich	DIAPH	Diaphragm
BRDG	Bridgestone	DIFF.	Differential
BRG.	Bearing	DNLP	Dunlop
BRKT.	Bracket	DOHC	Double Overhead Camschaft
BRN.	Brown	DSL	Diesel
BLK.	Black	DTSS	Dynamic Tracking Suspension System
BLU.	Blue	DX	Deluxe
BMPR.	Bumper		
B.S.V.	Bleed Solenoid Valve	ECAT	Electronically Controlled A/T
BULL.	Bullion	EGI	Electronic Gas Injection
BW	Black Wall	EGR	Exhaust Gas Recirculation

ABBREVIATION LIST

ABBREV.	MAY REPLACE	ABBREV.	MAY REPLACE
ELEC.	Electric	IGN.	Inner
ENG.	Engine	INT.	Interior
ETR	Electronically Tuned Radio	INTMT.	Intermittant
EXC.	Except	I.N.J.	Injector, Injected
EXH.	Exhaust	I.R.S.	Independent Rear Suspension
EXT.	Extension		
EQ	Equalizer	JAN.	January
		JUL.	July
FEB.	February	JUN.	June
FED.	Federal		
F.I.	Fuel Injection	KG	Kilogram
FLEX	Flexible	KM	Kilometer
FLID	Fuel Lid	KW	Kilowatt
FRT.	Front		
FRST	Firestone	(L), LT	Left
FSTNR.	Fastener	L=	Length
		LCD	Liquid Crystal Display
G	Gram	L/B	Long Bed
GAS.	Gasoline	LH	Left Hand
GDYR	Goodyear	LPG	Liquid Petroleum Gas
GEN.	General	L.S.D.	Limited Slip Differential
GOV.	Governor	LWR	Lower
GRN.	Green	LX	Leaky
GRY.	Gray		
GBKT.	Gasket	M	Metallic
		MAR.	March
H.A.C.	High Altitude Compensator	MC	Mica
HARN.	Harness	MCHN	Michelin
H/B	Hatchback	MLDG.	Moulding, Mould
HD.	Head	MM	Millimeter
H/DUTY	Heavy Duty	MMFLD.	Manifold
HDWE.	Hardware	MPX	Multiplex
H. ALT.	High Altitude	MSTR.	Master
HSG.	Hous, Housing	M/T	Manual Transmission
HTR.	Heater	MTG.	Mounting
		MTR	Manually Tuned Radio
IC	Integrated Circuit		
ID	Inside Diameter	N=	Number Of Teeth
IGN.	Ignition	N/A	Not Available
ILLUM.	Illumination, Illuminated	N/B	Notback
		NO.	Number
INCL	Includes	NORM.	Normal
IND	Indicator	NOV.	November
INFO.	Information		
INST.	Instrument		

ABBREVIATION LIST

ABBREV.	MAY REPLACE	ABBREV.	MAY REPLACE
OCT.	October	SPEC.	Specification
OD	Outer Diameter	SPEEDO.	Speedometer
O/DRIVE	Overdrive	SPG.	Spring
OHC	Overhead Camshaft	SPKR.	Speaker
OPT.	Optional	SPKKT.	Sprocket
O.S.	Oversize	SRS	Supplemental Restraint System
OUT.	Outer	STAB.	Stabilizer
PANSC	Panasonic	STD.	Standard
PARK.	Parking	STRG.	Steering
PB	Parking Brake	S/ROOF	Sunroof
PCV	Positive Crankcase Ventilation	SUSP.	Suspension
PN.	Pinion	SW	Station Wagon
PKG	Package	SW.	Switch
PLR	Pillar	SYNC.	Synchronizer
PROD.	Production	T-	Thickness
P/S	Power Steering	TEMP.	Temperature
P/TRIM	Pillar Trim	THERMO.	Thermostat
PTH	Phillips Truss Head	TMG.	Timing
PWR.	Power	TRANSMISSION	Transmission
QTR.	Quarter	TRK.	Truck
QTY.	Quantity	TR/LD	Trunk Lid
RU, RT	Right	T/S	Touring Sedan
RH	Right Hand	TTL	Twin Trapezoidal Links
RAD.	Radiator	TURBO	Turbocharged
REINF.	Reinforcement	UP.	Upper
REG.	Regular	U.S.	Undersize
REGUL.	Regulator	VAC.	Vacuum
REL.	Release	V.G.R.	Variable Gear Ratio
REM.	Remote	VPV	Variable Port Valve
RET.	Return	VNL.	Vinyl
REV.	Reverse	W-	Width
RR.	Rear	W/	With
RWL	Raised White Letters	WP	Water Pump
S/B	Short Bed	WGN.	Wagon
S/ROD	Shift Rod	WHL.	Wheel
S/S	Supercession	W/O	Without
SDN.	Sedan	WHT.	White
SEP.	September	W/SHIELD	Wind Shield, Screen
SERV.	Service	WTR.	Water
SLND.	Solenoid	W/W	White Walls
SOHC	Single Overhead		

mazda

1984-85 RX-7 ACCESSORIES

AERO

0000-86-2200 - 1979-85, Lip Spoiler

AIR CONDITIONER

Refer to Accy. Bulletin XA-1 for Air Conditioner information.

ARM REST

Refer to Accy. Bulletin XN-1 for replacement parts.

BATTERY

0000-80-124F

Refer to Accy. Bulletin XG-4 for Battery information.

BLOCK HEATER

0000-88-6600

Refer to Accy. Bulletin XG-5 for installation information.

CIGARETTE LIGHTERS

B001-66-252 - 1983-90

CRUISE CONTROL

FA54-99-063A

Refer to Accy. Bulletin XG-7 for more Cruise Control information.

DOOR EDGE GUARDS

0000-88-3199-BK - ALL, Black Universal Type

FRONT MASK

0000-88-0584 - 1984-85, W/O Air Dam

PAINT

Refer to Accy. Bulletin XE-2 for Touch-Up Paint information.

STEREO EQUIPMENT

Refer to Accy. Bulletins XS-1, XS-2, and XS-3 for Audio information.

SUNROOF

0000-86-2600 - 1980-85, Moonroof

0000-86-2600-KT - 1980-85, Left & Right Hinge

0000-86-2600-CP - 1980-85, Cap Nut Set

8346-62-885 - 1980-85, Slide Hook Latch

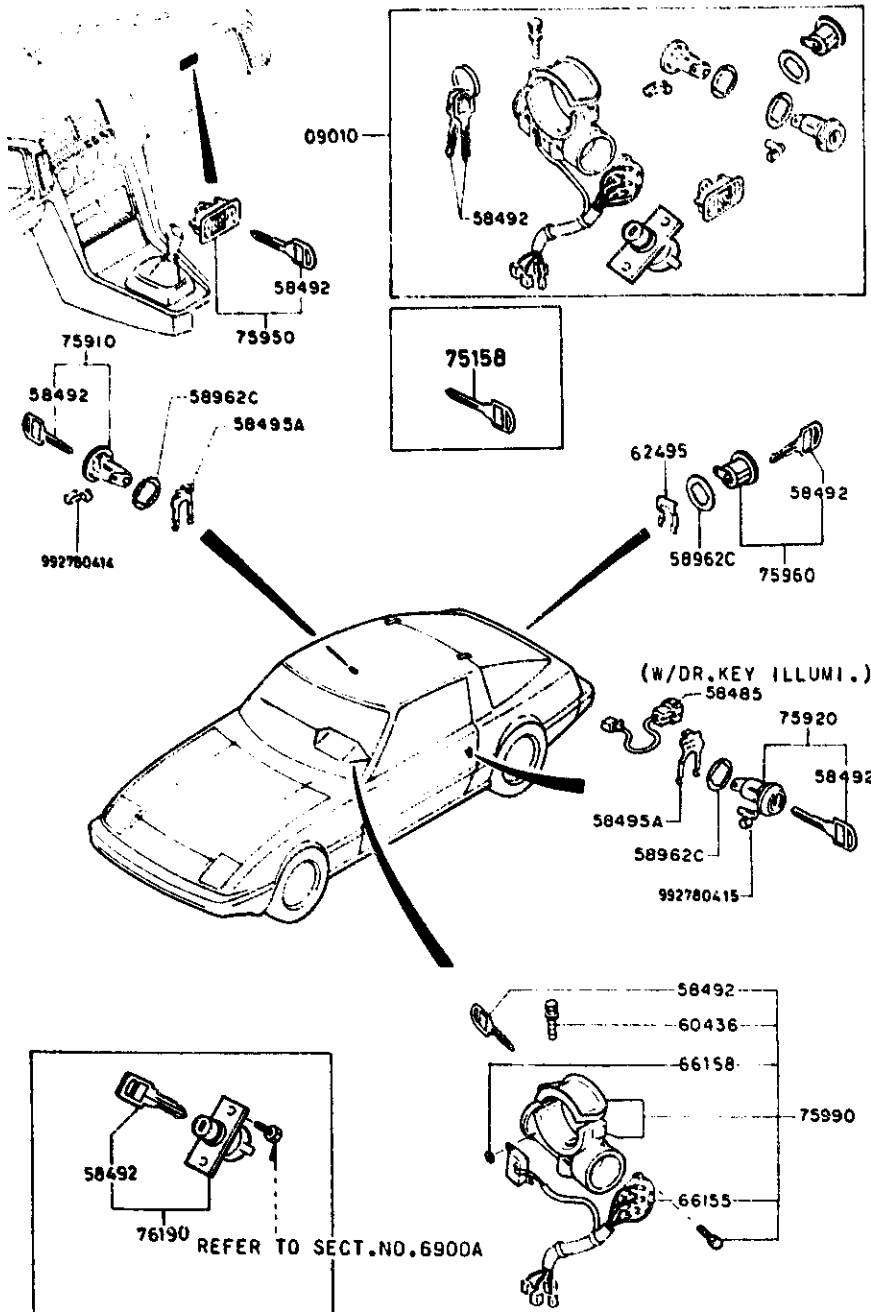
TIRES

Refer to Accy. Bulletins XE-1 for Tire information.

SECTION INDEX -- BODY

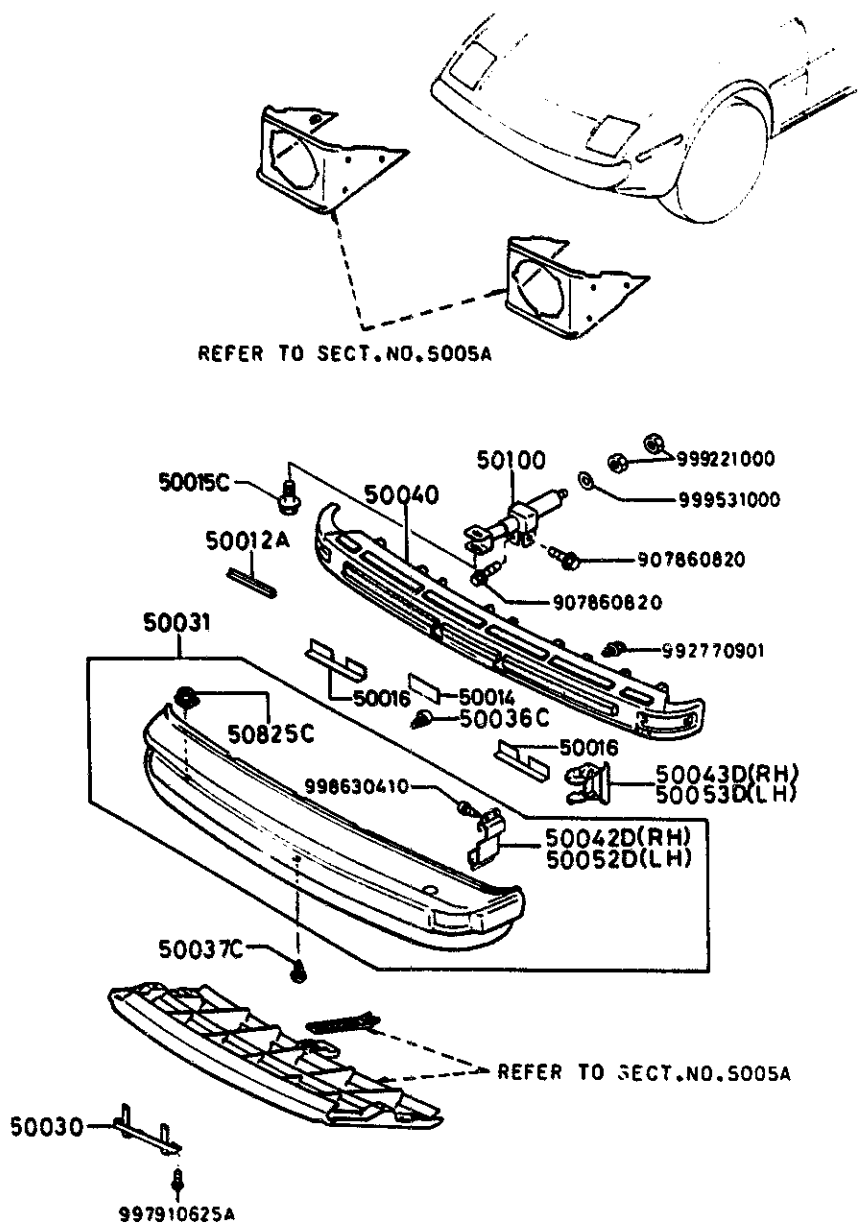
STARTING LOCATION	SECT NO	SECTION NAME	STARTING LOCATION	SECT NO	SECTION NAME	STARTING LOCATION	SECT NO	SECTION NAME
2 - C 3	0900A	KEY SETS	2 - H 7	6100A	HEATER	2 - N 10	6703A	WIRE HARNESS (DOOR, FLOOR CEILING)
2 - D 3	5000A	FRONT BUMPER	2 - I 7	6110A	HEATER UNIT COMPONENTS	2 - I 10	6704A	WIRE HARNESS CLAMPS
2 - E 3	5005A	RADIATOR GRILLE	2 - J 7	6115A	HEATER CONTROLS COMPONENTS	2 - J 10	6720A	WINDSHIELD WASHER
2 - F 3	5010A	REAR BUMPER	2 - K 7	6120A	HEATER BLOWER COMPONENTS	2 - K 10	6730A	WINDSHIELD WIPER
2 - G 3	5030A	WINDOW MOULDINGS	2 - L 7	6125B	AIR CONDITIONER	2 - L 10	6740A	WIPER MOTOR COMPONENTS (FRONT)
2 - H 3	5040A	BODY MOULDINGS	2 - M 7	6130B	AIR CONDITIONER (NIPPONDENSO)	2 - M 10	6750A	WINDOW WIPER & WASHER (REAR) (GSL, GSL-SE)
2 - I 3	5060A	SIDE PROTECTORS	2 - C 8	6132B	AIR CONDITIONER (WYNN'S)	2 - N 10	6760A	WINDOW WIPER MOTOR COMPONENTS (REAR) (GSL, GSL-SE)
2 - J 3	5100A	HEAD LAMPS	2 - D 8	6140B	A C COMPRESSOR BRACKETS (NIPPONDENSO)	2 - C 11	6800A	CEILING TRIM
2 - K 3	5103A	HEAD LAMP RETRACTOR	2 - F 8	6142B	A C COMPRESSOR COMPONENTS (WYNN'S)	2 - D 11	6820A	PILLAR TRIM
2 - L 3	5105A	FRONT COMBINATION LAMPS	2 - H 8	6145B	A C COMPRESSOR COMPONENTS (NIPPONDENSO)	2 - F 11	6840A	TRIM & SCUFF PLATE
2 - M 3	5110A	REAR COMBINATION LAMPS	2 - I 8	6150B	COOLING UNIT (NIPPONDENSO)	2 - I 11	6860A	FLOOR MATS & PADS
2 - N 3	5120A	LICENSE LAMPS	2 - L 8	6152B	COOLING UNIT (WYNN'S)	2 - J 11	6870A	SERVICE TOOLS
2 - C 4	5125A	INTERIOR LAMPS	2 - M 8	6230A	BACK DOOR MECHANISM	2 - K 11	6900A	VISOR, ASSIST HANDLE & MIRRORS
2 - D 4	5170A	ORNAMENTS	2 - N 8	6300A	WINDOW GLASSES	2 - N 11	6930A	CAUTION PLATES & LABEL
2 - E 4	5180A	COWL & EXTRACTOR GRILLES	2 - C 9	6330A	SUNROOF (GSL, GSL-SE)			
2 - F 4	5230A	HOOD	2 - D 9	6600A	SWITCH & RELAY (ENGINE)			
2 - G 4	5310A	BODY PANELS (FRONT)	2 - F 9	6610A	DASHBOARD SWITCHES (MANUAL OPERATING)			
2 - H 4	5320A	BODY PANELS (FENDER & WHEEL APRON)	2 - G 9	6611A	COMBINATION SWITCH			
2 - I 4	5330A	BODY PANELS (DASH & COWL PANEL)	2 - H 9	6612A	CLUSTER SWITCH (RIGHT SIDE)			
2 - J 4	5340A	BODY PANELS (SIDE)	2 - I 9	6613A	CLUSTER SWITCH (LEFT SIDE)			
2 - K 4	5360A	BODY PANELS (ROOF)	2 - J 9	6615A	POWER WINDOW SWITCH			
2 - L 4	5370A	BODY PANELS (FLOOR)	2 - K 9	6620A	DOOR, PARKING LAMP & KICKDOWN SWITCHES			
2 - M 4	5390A	FLOOR ATTACHMENTS	2 - L 9	6630A	RELAY & CPU (BODY)			
2 - C 5	5500A	DASHBOARD EQUIPMENT	2 - M 9	6635A	HORN			
2 - F 5	5520A	METER HOOD	2 - N 9	6640A	AUTO CRUISE CONTROLS			
2 - G 5	5530A	SPEEDOMETER CABLE	2 - C 10	6680A	AUDIO SYSTEMS (RADIO & TAPE DECK)			
2 - H 5	5540A	METERS	2 - D 10	6682A	AUDIO SYSTEMS (ANTENNA & SPEAKER)			
2 - I 5	5550A	CLUSTER SWITCH COVER	2 - E 10	6700A	WIRE HARNESS (FRONT & REAR)			
2 - J 5	5560A	DASHBOARD & RELATED	2 - F 10	6701A	WIRE HARNESS (ENGINE & TRANSMISSION)			
2 - L 5	5570A	CONSOLE	2 - G 10	6702A	WIRE HARNESS (DASHBOARD)			
2 - N 5	5580A	VENTILATOR						
2 - C 6	5700A	FRONT SEAT						
2 - H 6	5790A	SEAT BELTS						
2 - I 6	5800A	FRONT DOOR						
2 - J 6	5830A	FRONT DOOR MECHANISMS						
2 - C 7	5840A	FRONT DOOR TRIM & RELATED PARTS						

0900A-1 KEY SETS



ITEM NO	D-CODE	DESCRIPTION	PART NO	QTY	MODEL/DESCRIPTION	REMARKS
09 010		KEY SET	FA54-09-010C	1	GS, GSI, GSI-SE, S	
		RED	10			
		OFF-BLACK	65			
		BROWN	78			
58 485		BULB, LOCK CYLINDER	G001-58-485A	1	GS, GSI, GSI-SE	
58 492		KEY, PRIMARY	HA43-76-201A	2		
58 495A		RETAINER, LOCK CYLINDER	FA54-58-495	2		
58 962C		GASKET, KEY CYLINDER	0223-58-962	3		
60 436		BOLT, SET	H043-66-154	2		
62 495		RETAINER, LOCK CYLINDER	B001-62-495	1		
66 155		SWITCH, IGNITION	FA54-66-151	1		
66 158		NUT, SPEED-STEERING LOCK	BC46-66-158	2	FROM APR '85 PROD.	FB33* .893766.
		REFER TO SERV. BULL. NO. 010/85 CAT. 15 FOR MORE INFO.				
75 158		KEY, BLANK	HA43-76-201A	1		
		REFER TO PARTS BULL. NO. A-2-4 FOR MORE KEY INFO.				
75 910		KEY SUB SET (R), DOOR	FA54-76-210	1		
75 920		KEY SUB SET (L), DOOR	FA55-76-220	1	S MODEL	
			FA54-76-220	1	GS, GSI, GSI-SE	
75 950		KEY SUB SET, GLOVE	FA54-76-250B	1		
		RED	10			
		OFF-BLACK	65			
		BROWN	78			
75 960		KEY SUB SET, BACK DOOR	FA54-76-230	1		
		< A >	FA54-76-230A	1		
75 990		KEY SUB SET, STRG. LOCK	FA54-76-290	1		
76 190		KEY SUB SET, STORAGE	FA54-76-190	1		

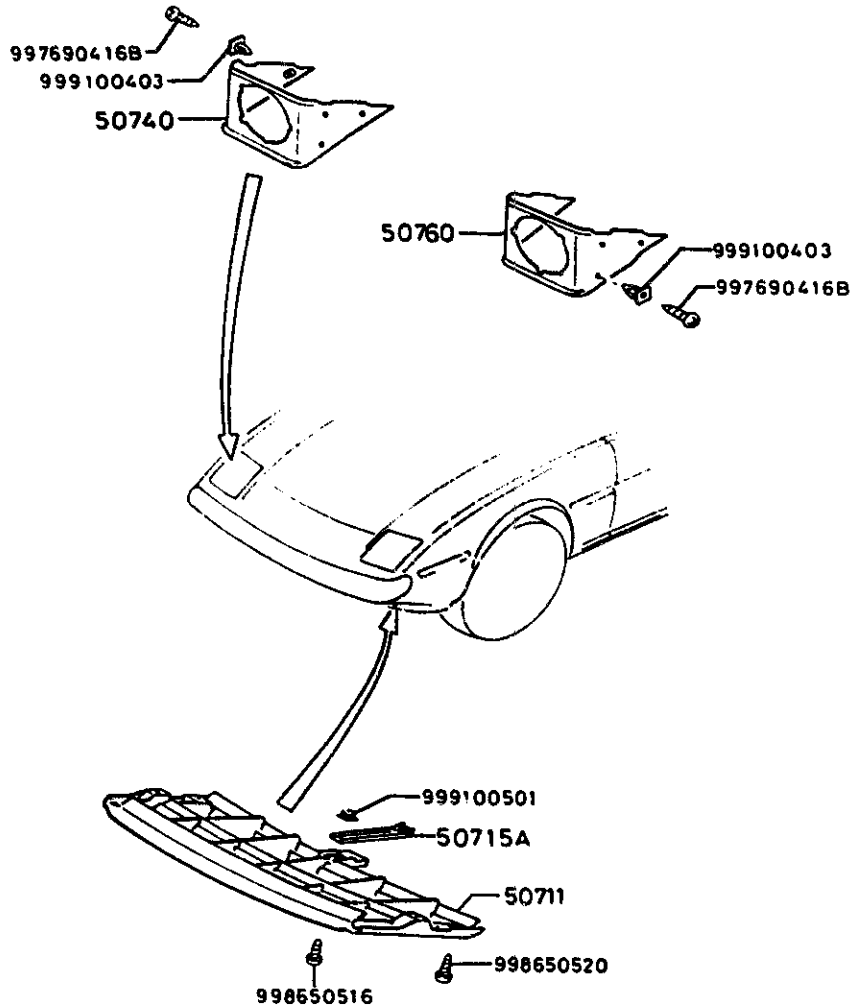
5000A-1 FRONT BUMPER



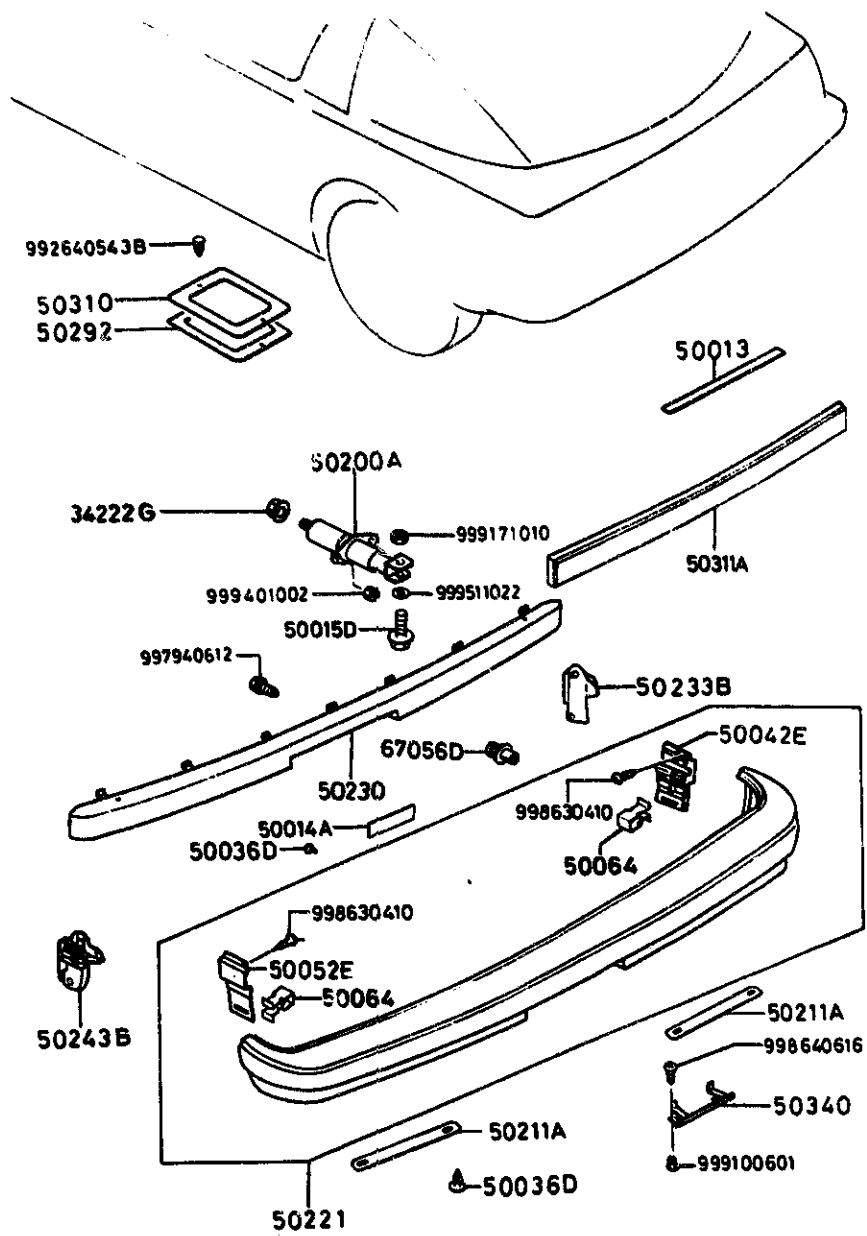
ITEM NO	D-CODE	DESCRIPTION	PART NO	QTY	MODEL/DESCRIPTION	REMARKS
	50 012A	PROTECTOR	FA01-50-012	1		
	50 014	PROTECTOR	FA01-50-014	2		
	50 015C	BOLT	FA01-50-015	2		
	50 016	PROTECTOR	FA01-50-016	2		
	50 030	HOLDER, LICENSE PLATE	FA01-50-180	1		
	50 031	BUMPER, FRONT	FA01-50-030A	1		
	50 036C	FASTENER	FA01-50-036	9		
	50 037C	FASTENER	FA01-50-037	5		
	50 040	REINFORCEMENT, BUMPER	FA01-50-150A	1		
	50 042D	SLIDE 'B' (R), BUMPER	FA01-50-042	1		
	50 043D	SLIDE 'A' (R), BUMPER	FA01-50-040	1		
	50 052D	SLIDE 'B' (L), BUMPER	FA01-50-052	1		
	50 053D	SLIDE 'A' (L), BUMPER	FA01-50-050	1		
	50 100	ABSORBER (R), SHOCK	FA01-50-070	1		
		ABSORBER (L), SHOCK	FA01-50-080	1		
	50 825C	NUT, CLIP	8871-50-825	4	THRU FEB. '85 PROD.	FB33* .800001-889473
			FA01-50-054	4	FROM MAR. '85 PROD.	FB33* .889474-

5005A-1 RADIATOR GRILLE

ITEM NO.	D-CODE	DESCRIPTION	PART NO	QTY	MODEL/DESCRIPTION	REMARKS
50 711		GRILLE, RADIATOR	FAD1-50-711A	1		
50 715A		BRACKET, RADIATOR GRILLE	8871-50-720	1		
50 740		BEZEL (R), LAMP	8871-50-741	1		
50 760		BEZEL (L), LAMP	8871-50-761	1		

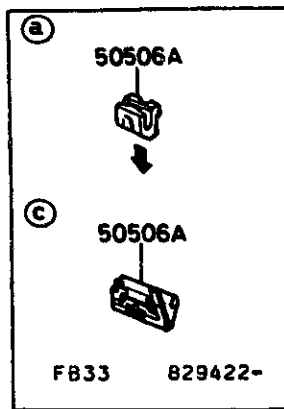
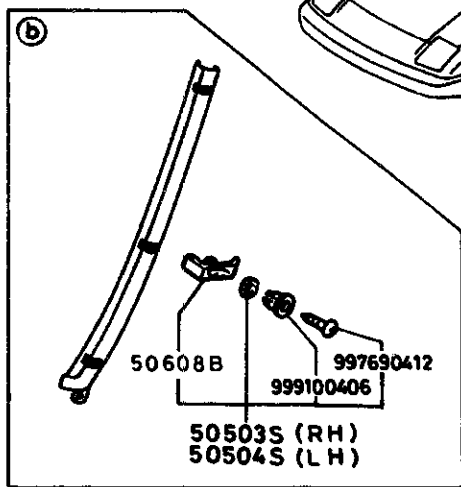
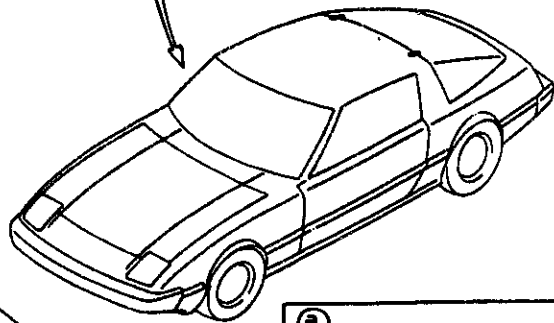
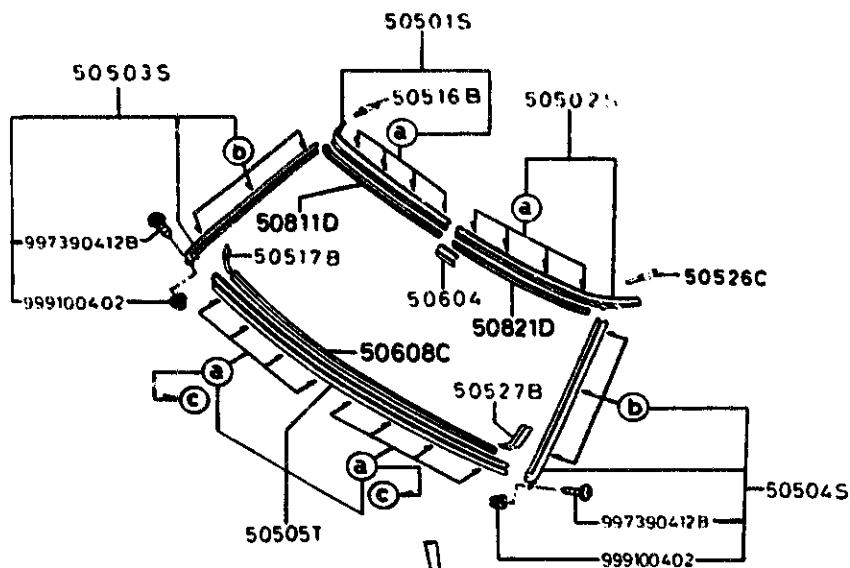


5010A-1 REAR BUMPER



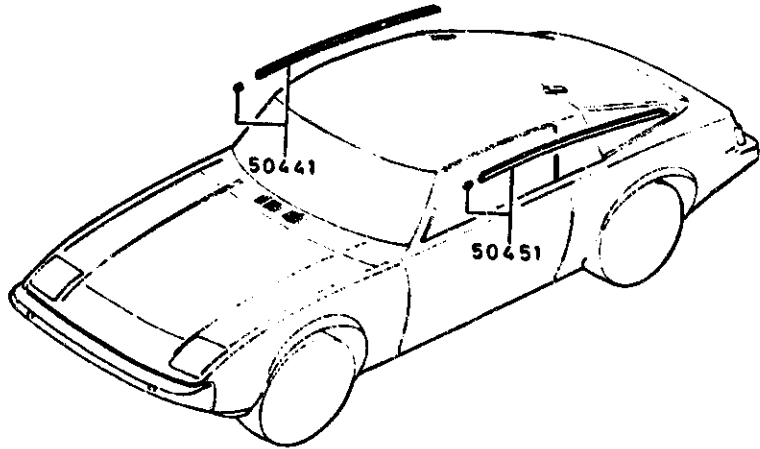
ITEM NO.	D-CODE	DESCRIPTION	PART NO.	QTY	MODEL/DESCRIPTION	REMARKS
34	222G	NUT, SHOCK ABSORBER	8871-34-222	2		
50	013	PROTECTOR	FA01-50-013	3		
50	014A	PROTECTOR	FA01-50-014	2		
50	015D	BOLT	FA01-50-015	2		
50	036D	FASTENER	FA01-50-036	1		
50	042E	SLIDE 'B' (R), BUMPER	FA01-50-232	1		
50	052E	SLIDE 'B' (L), BUMPER	FA01-50-242	1		
50	064	CLIP, RETAINER-BUMPER	FA01-50-064	2		
50	200A	ABSORBER, SHOCK RR.	FA01-50-280A	2		
50	211A	PLATE SET	FA01-50-211	4		
50	221	BUMPER, REAR	FA01-50-220	1		
50	230	REINFORCEMENT, BUMPER	FA01-50-330A	1		
50	233B	SLIDE 'A' (R), BUMPER	FA01-50-230	1		
50	243B	SLIDE 'A' (L), BUMPER	FA01-50-240	1		
50	292	GASKET, HOLE COVER	8871-50-232	2		
50	310	COVER, SERVICE HOLE	8871-50-231	2		
50	311A	FILLER, REAR BUMPER	FA01-50-223	1		
50	340	HOLDER, LICENSE PLATE	FA01-50-380	1		
67	056D	RIVET	W023-67-056	7		

5030A-1 WINDOW MOULDINGS



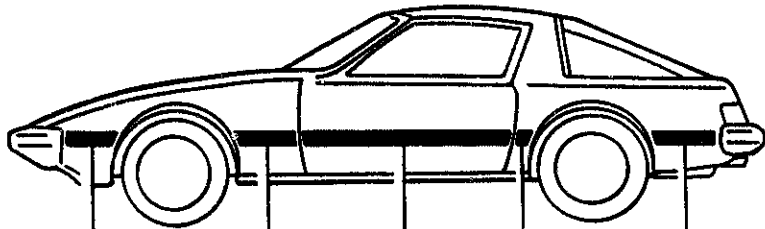
ITEM NO.	D-CODE	DESCRIPTION	PART NO.	QTY	MODEL/DESCRIPTION	REMARKS
50 501S		MOULDING SET (R), UPPER FRONT	8871-99-741C	1		
50 502S		MOULDING SET (L), UPPER FRONT	8871-99-742C	1		
50 503S		MOULDING SET (R), SIDE FRONT	8871-99-743B	1		
50 504S		MOULDING SET (L), SIDE FRONT	8871-99-744B	1		
50 505T		MOULDING SET, LOWER FRONT	8871-99-745A	1		
50 506A		CLIP, MOULDING	8871-50-609	16	THRU MAR. '84 PROD.	FB33* ..800001-829421
			1243-50-609	8	FROM APR. '84 PROD.	FB33* ..829422-
50 516B		DUM 'A' (R)	8871-50-516	1		
50 517B		DUM 'B' (R)	8871-50-517	1		
50 526C		DUM 'A' (L)	8871-50-526	1		
50 527B		DUM 'B' (L)	8871-50-527	1		
50 604		JOINT, MOULDING UPPER	8871-50-950C	1		
50 608B		FASTENER, WINDOW MIDG.	8871-50-608	6		
50 608C		PROTECTOR	8871-50-918	1		
50 811D		PROTECTOR (R), FRONT SIDE	8871-50-917A	1		
50 821D		PROTECTOR (L), FRONT SIDE	8871-50-927A	1		

5040A-1 BODY MOULDINGS



ITEM NO.	D-CODE	DESCRIPTION	PART NO	QTY	MODEL/DESCRIPTION	REMARKS
	50 441	MOULDING (R). DRIP	8871-50-510C	1		
	50 451	MOULDING (L). DRIP	8871-50-520C	1		

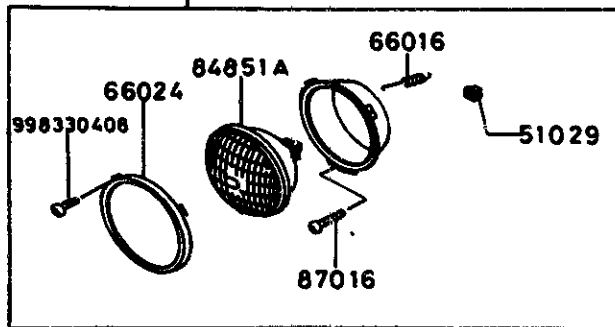
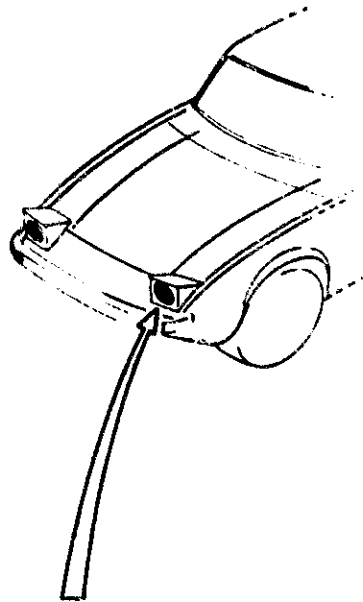
5060A-1 SIDE PROTECTORS



50697D 50386D 50682B 50688D 50689D (L.H.)
 50692D 50681D 50682A 50683D 50684D (R.H.)

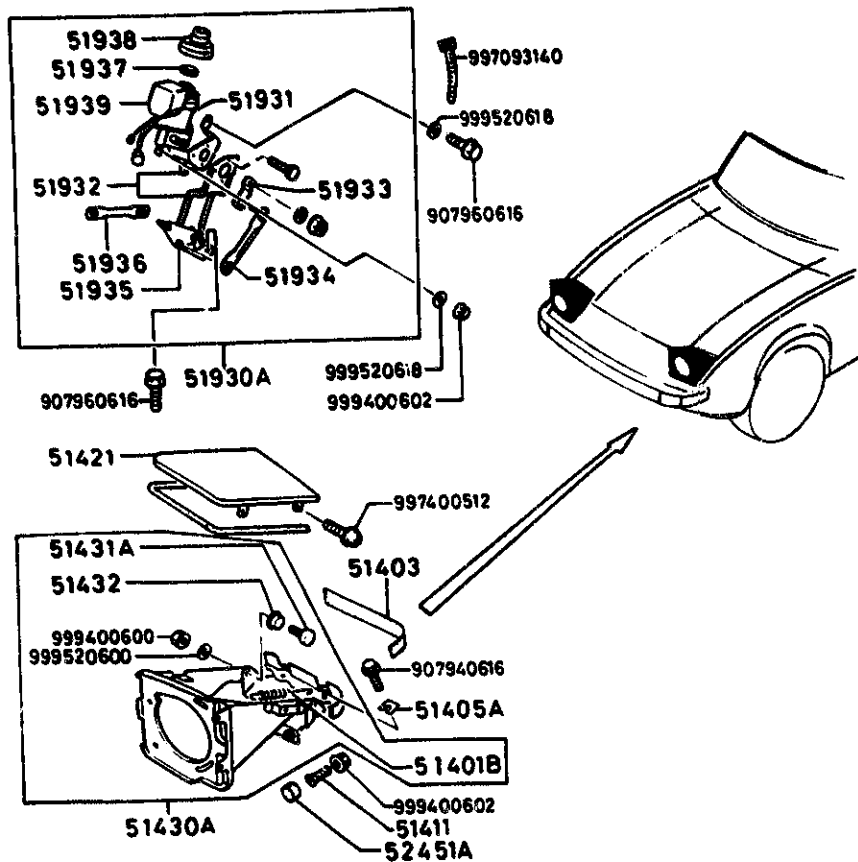
ITEM NO.	D-CODE	DESCRIPTION	PART NO.	QTY	MODEL/DESCRIPTION	REMARKS
	50 681D	PROTECTOR 'B' (R), SIDE	FA02-50-682	1		
	50 682A	PROTECTOR 'C' (R), SIDE	FA02-50-683	1		
	50 682B	PROTECTOR 'C' (L), SIDE	FA02-50-693	1		
	50 683D	PROTECTOR 'D' (R), SIDE	FA02-50-684	1		
	50 684D	PROTECTOR 'E' (R), SIDE	FA01-50-685	1		
	50 686D	PROTECTOR 'B' (L), SIDE	FA02-50-692	1		
	50 688D	PROTECTOR 'D' (L), SIDE	FA02-50-694	1		
	50 689D	PROTECTOR 'E' (L), SIDE	FA01-50-695	1		
	50 692D	PROTECTOR 'A' (R), SIDE	FA01-50-681	1		
	50 697D	PROTECTOR 'A' (L), SIDE	FA01-50-691	1		

5100A-1 HEAD LAMPS



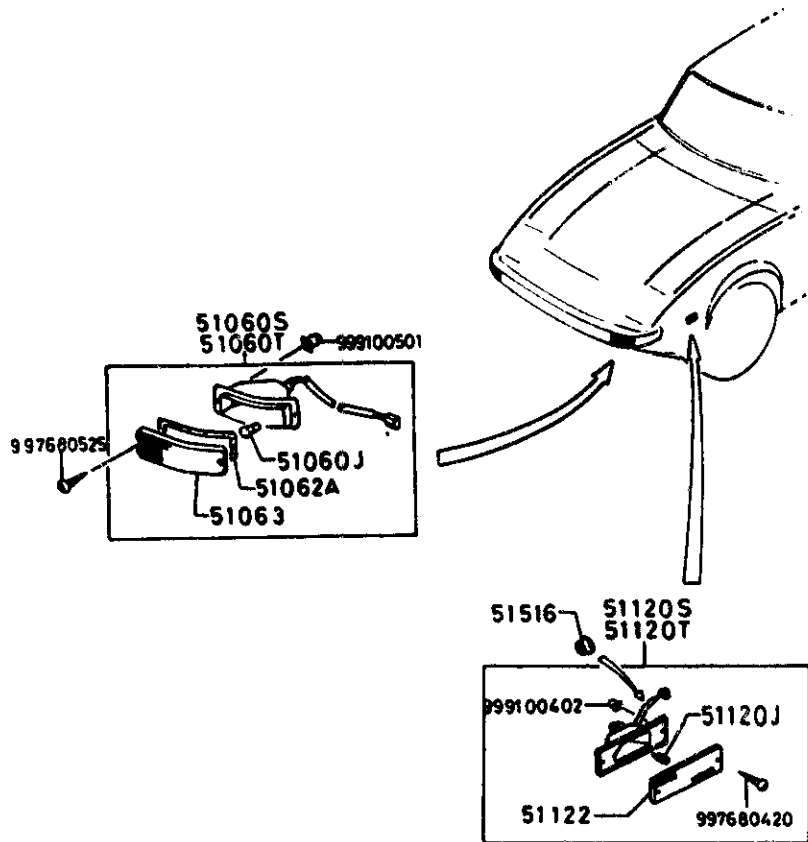
ITEM NO.	D-CODE	DESCRIPTION	PART NO.	QTY	MODEL/DESCRIPTION	REMARKS
51 029		GROMMET, SCREW	0483-66-061A	4		
51 030S		LAMP SET (R), HEAD	FA02-89-661	1	(HALOGEN)	
			8871-89-661	1	(CONVENTIONAL)	
51 030T		LAMP SET (L), HEAD	FA02-89-666	1	(HALOGEN)	
			8871-89-666	1	(CONVENTIONAL)	
66 016		SPRING, ADJUST	8871-51-021	2		
66 024		RING, RETAINING	8871-51-033	2		
84 851A		BEAM, SEALED	0000-11-6024-ML	2	(HALOGEN)	
			0000-11-6014	2	(CONVENTIONAL)	
87 016		SCREW, ADJUST	3958-51-021	4		

5103A-1 HEAD LAMP RETRACTOR



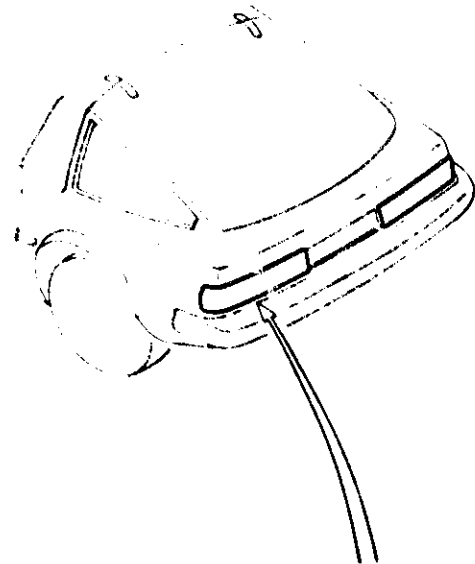
ITEM NO.	D-CODE	DESCRIPTION	PART NO.	QTY	MODEL/DESCRIPTION	REMARKS
51 401B		SPRING, LID-LAMP	8871-51-401	2		
51 403		PROTECTOR	8871-51-403	2		
51 405A		SHIM, TILTING HINGE	8871-51-405	6		
51 411		SCREW, STOPPER	8871-51-411	2		
51 421		LID (R), LAMP	8871-51-421A	1		
		LID (L), LAMP	8871-51-621A	1		
51 430A		HINGE (R), LID-LAMP	8871-51-430C	1		
		HINGE (L), LID-LAMP	8871-51-630C	1		
51 431A		BOLT, HINGE	H001-51-511	4		
51 432		BUSHING, HINGE BOLT	8871-51-432	4		
51 930A		MOTOR & LINK (R)	FA01-51-930B	1		
		MOTOR & LINK (L)	FA01-51-940B	1		
51 931		MOTOR (R)	FA01-51-931B	1		
		MOTOR (L)	FA01-51-941B	1		
51 932		BRACKET (R)	8871-51-932	1		
		BRACKET (L)	8871-51-942	1		
51 933		ROD, MOTOR	8871-51-933	2		
51 934		ROD 'A'	8871-51-934	2		
51 935		LEVER (R), LINK	8871-51-935	1		
		LEVER (L), LINK	8871-51-945	1		
51 936		ROD 'B'	8871-51-936	2		
51 937		KNOB	H001-51-667	2		
51 938		BOOT	H001-51-666	2		
51 939		RELAY	FA01-51-939	2		
52 451A		RUBBER, CUSHION	0866-52-451	2		

5105A-1 FRONT COMBINATION LAMPS

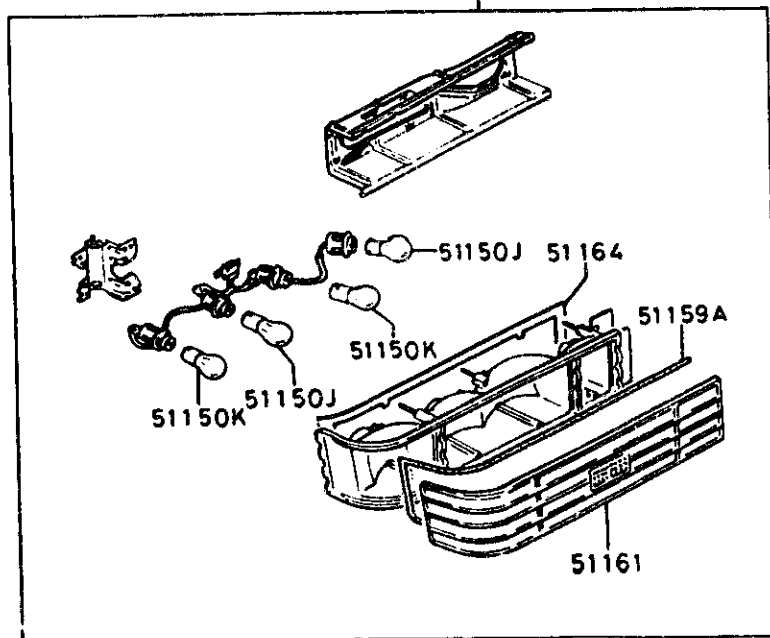


ITEM NO.	D-CODE	DESCRIPTION	PART NO.	QTY	MODEL/DESCRIPTION	REMARKS
51 060J		BULB	0000-11-1157	2	(12V 27W/8W)	
51 060S		LAMP SET (R), FRONT COMB.	FA01-89-662	1		
51 060T		LAMP SET (L), FRONT COMB.	FA01-89-667	1		
51 062A		GASKET, FRONT COMB.	FA01-51-063	2		
51 063		LENS (R), FRONT COMB.	FA01-51-061	1		
		LENS (L), FRONT COMB.	FA01-51-071	1		
51 120J		BULB	0000-11-0194	2	(12V 3.8W)	
51 120S		LAMP SET (R) SIDE TURN	FA01-89-663	1		
51 120T		LAMP SET (L) SIDE TURN	FA01-89-668	1		
51 122		LENS (R), SIDE TURN	FA01-51-121	1		
		LENS (L), SIDE TURN	FA01-51-131	1		
51 516		PROTECTOR, CORD	8545-51-516	2		

5110A-1 REAR COMBINATION LAMPS

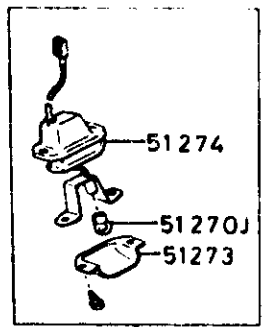
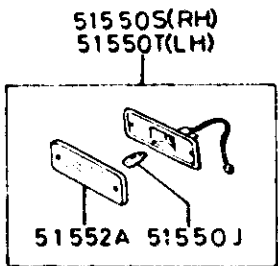
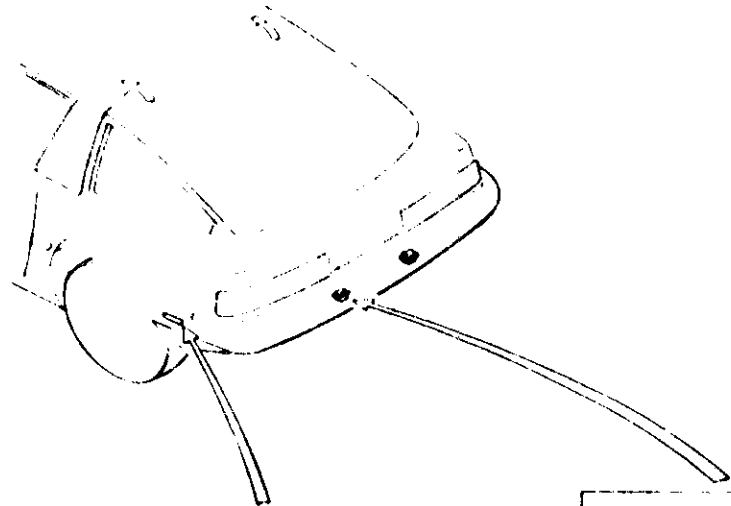


51150S(RH)
51150T(LH)



ITEM NO	D-CODE	DESCRIPTION	PART NO	QTY	MODEL/DESCRIPTION	REMARKS
51 150J		BULB	0000-11-1156	4	(12V 27W)	
51 150K		BULB	0000-11-1157	4	(12V 27W/8W)	
51 150S		LAMP SET (R), REAR COMB	FA01-89-664	1		
51 150T		LAMP SET (L), REAR COMB	FA01-89-669	1		
51 159A		PROTECTOR, REAR COMB	FA01-51-159	2		
51 161		LENS (R), REAR COMB	FA01-51-151D	1		
		LENS (L), REAR COMB	FA01-51-161D	1		
51 164		GASKET (R), REAR COMB	FA01-51-153A	1		
		GASKET (L), REAR COMB	FA01-51-163A	1		

5120A-1 LICENSE LAMPS

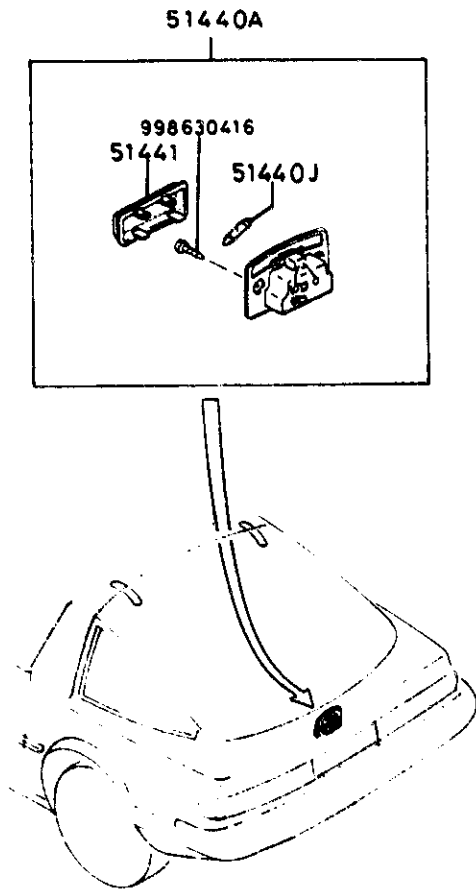


ITEM NO	D-CODE	DESCRIPTION	PART NO	QTY	MODEL/DESCRIPTION	REMARKS
51 270J		BULB	9970-03-0607	2		
51 270S		LAMP SET, LICENSE	3874-89-665A	2		
51 273		LENS, LICENSE LAMP	3874-66-371	2		
51 274		GASKET LICENSE LAMP	3874-66-373	2		
51 550J		BULB	0000-11-0194	2	(12V 3.8W)	
51 550S		LAMP SET (R) SIDE TURN	FA01-89-673	1		
51 550T		LAMP SET (L) SIDE TURN	FA01-89-678	1		
51 552A		LENS (R) SIDE TURN	FA01-51-551	1		
		LENS (L) SIDE TURN	FA01-51-561	1		

SECTION INDEX -- BODY

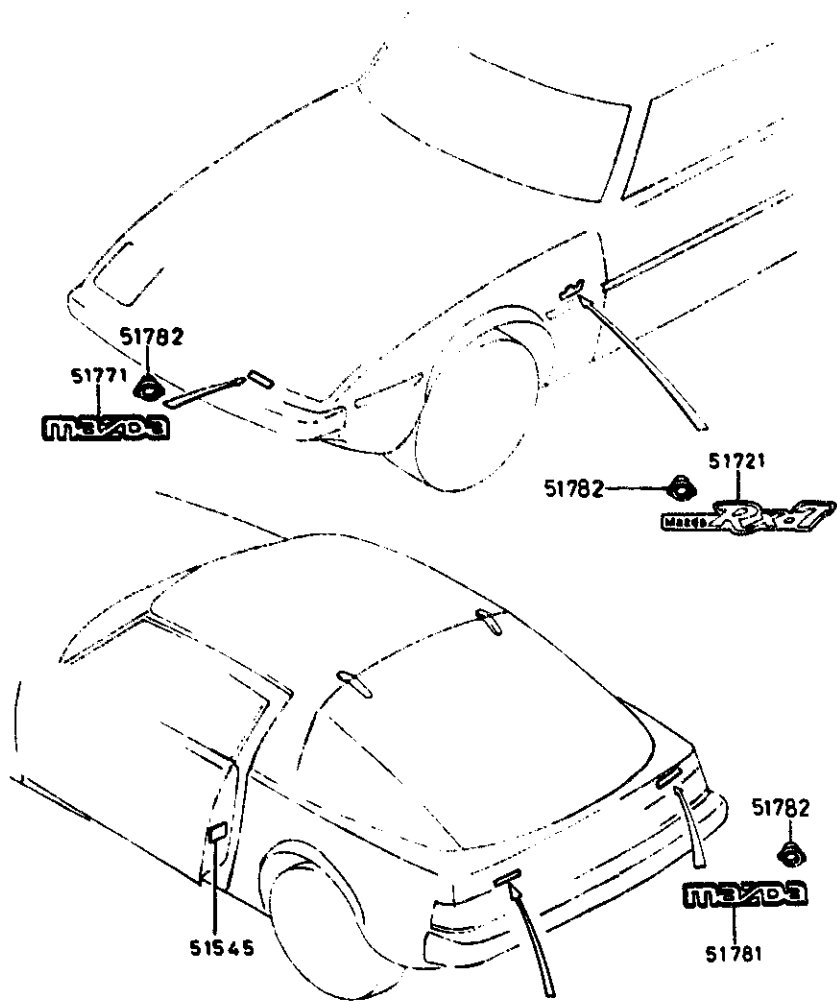
STARTING LOCATION	SECT NO	SECTION NAME	STARTING LOCATION	SECT NO	SECTION NAME	STARTING LOCATION	SECT NO	SECTION NAME
2 - C 3	0900A	KEY SETS	2 - C 7	5840A	FRONT DOOR TRIM & RELATED PARTS	2 - G 10	6702A	WIRE HARNESS (DASHBOARD)
2 - D 3	5000A	FRONT BUMPER	2 - H 7	6100A	HEATER	2 - H 10	6703A	WIRE HARNESS (DOOR, FLOOR CEILING)
2 - E 3	5005A	RADIATOR GRILLE	2 - I 7	6110A	HEATER UNIT COMPONENTS	2 - J 10	6704A	WIRE HARNESS CLAMPS
2 - F 3	5010A	REAR BUMPER	2 - J 7	6115A	HEATER CONTROLS COMPONENTS	2 - J 10	6720A	WINDSHIELD WASHER
2 - G 3	5030A	WINDOW MOULDINGS	2 - K 7	6120A	HEATER BLOWER COMPONENTS	2 - K 10	6730A	WINDSHIELD WIPER
2 - H 3	5040A	BODY MOULDINGS	2 - L 7	6125B	AIR CONDITIONER	2 - L 10	6740A	WIPER MOTOR COMPONENTS (FRONT)
2 - I 3	5060A	SIDE PROTECTORS	2 - M 7	6130B	AIR CONDITIONER (NIPPONDENSO)	2 - M 10	6750A	WINDOW WIPER & WASHER (REAR) (GSL, GSL-SE)
2 - J 3	5100A	HEAD LAMPS	2 - C 8	6132B	AIR CONDITIONER (WYNN'S)	2 - N 10	6760A	WINDOW WIPER MOTOR COMPONENTS (REAR) (GSL, GSL-SE)
2 - K 3	5103A	HEAD LAMP RETRACTOR	2 - D 8	6140B	A C COMPRESSOR BRACKETS (NIPPONDENSO)	2 - C 11	6800A	CEILING TRIM
2 - L 3	5105A	FRONT COMBINATION LAMPS	2 - F 8	6142B	A C COMPRESSOR COMPONENTS (WYNN'S)	2 - D 11	6820A	PILLAR TRIM
2 - M 3	5110A	REAR COMBINATION LAMPS	2 - H 8	6145B	A C COMPRESSOR COMPONENTS (NIPPONDENSO)	2 - F 11	6840A	TRIM & SCUFF PLATE
2 - N 3	5120A	LICENSE LAMPS	2 - J 8	6150B	COOLING UNIT (NIPPONDENSO)	2 - J 11	6860A	FLOOR MATS & PADS
2 - C 4	5125A	INTERIOR LAMPS	2 - L 8	6152B	COOLING UNIT (WYNN'S)	2 - J 11	6870A	SERVICE TOOLS
2 - D 4	5170A	ORNAMENTS	2 - M 8	6230A	BACK DOOR MECHANISM	2 - K 11	6900A	VISOR, ASSIST HANDLE & MIRRORS
2 - E 4	5180A	COWL & EXTRACTOR GRILLES	2 - N 8	6300A	WINDOW GLASSES	2 - N 11	6930A	CAUTION PLATES & LABEL
2 - F 4	5230A	HOOD	2 - C 9	6330A	SUNROOF (GSL, GSL-SE)			
2 - G 4	5310A	BODY PANELS (FRONT)	2 - D 9	6600A	SWITCH & RELAY (ENGINE)			
2 - H 4	5320A	BODY PANELS (FENDER & WHEEL APRON)	2 - F 9	6610A	DASHBOARD SWITCHES (MANUAL OPERATING)			
2 - I 4	5330A	BODY PANELS (DASH & COWL PANEL)	2 - G 9	6611A	COMBINATION SWITCH			
2 - J 4	5340A	BODY PANELS (SIDE)	2 - H 9	6612A	CLUSTER SWITCH (RIGHT SIDE)			
2 - K 4	5360A	BODY PANELS (ROOF)	2 - I 9	6613A	CLUSTER SWITCH (LEFT SIDE)			
2 - L 4	5370A	BODY PANELS (FLOOR)	2 - J 9	6615A	POWER WINDOW SWITCH			
2 - M 4	5390A	FLOOR ATTACHMENTS	2 - K 9	6620A	DOOR, PARKING LAMP & KICKDOWN SWITCHES			
2 - C 5	5500A	DASHBOARD EQUIPMENT	2 - L 9	6630A	RELAY & CPU (BODY)			
2 - F 5	5520A	METER HOOD	2 - M 9	6635A	HORN			
2 - G 5	5530A	SPEEDOMETER CABLE	2 - N 9	6640A	AUTO CRUISE CONTROLS			
2 - H 5	5540A	METERS	2 - C 10	6680A	AUDIO SYSTEMS (RADIO & TAPE DECK)			
2 - I 5	5550A	CLUSTER SWITCH COVER	2 - D 10	6682A	AUDIO SYSTEMS (ANTENNA & SPEAKER)			
2 - J 5	5560A	DASHBOARD & RELATED	2 - E 10	6700A	WIRE HARNESS (FRONT & REAR)			
2 - L 5	5570A	CONSOLE	2 - F 10	6701A	WIRE HARNESS (ENGINE & TRANSMISSION)			
2 - N 5	5580A	VENTILATOR						
2 - C 6	5700A	FRONT SEAT						
2 - H 6	5790A	SEAT BELTS						
2 - I 6	5800A	FRONT DOOR						
2 - J 6	5830A	FRONT DOOR MECHANISMS						

5125A-1 INTERIOR LAMPS



ITEM NO.	D-CODE	DESCRIPTION	PART NO.	QTY.	MODEL DESCRIPTION	REMARKS
51 440A		LAMP, CARGO ROOM	FA01-51-440	1		
51 440J		BULB	0000-11-3022	1	(SW)	
51 441		LENS	FA01-51-441	1		

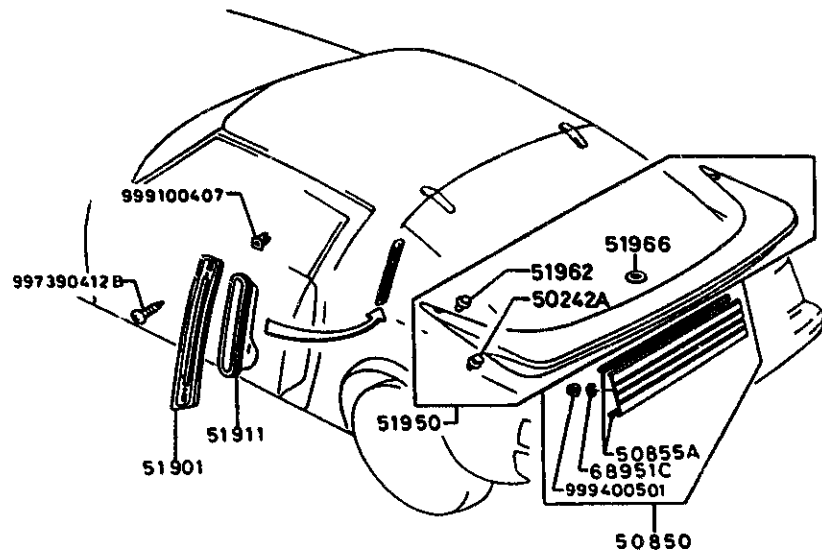
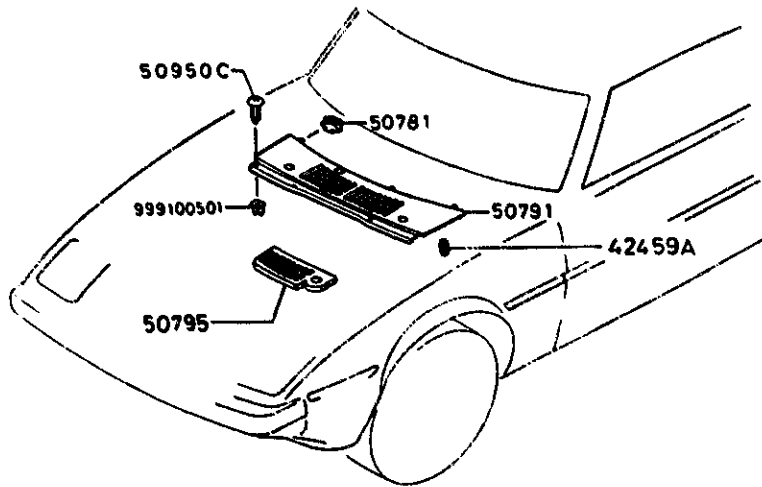
5170A-1 ORNAMENTS



- 51771A—GSLSE
- 51771A—GSSE
- 51771A—GSL
- 51771A—GS

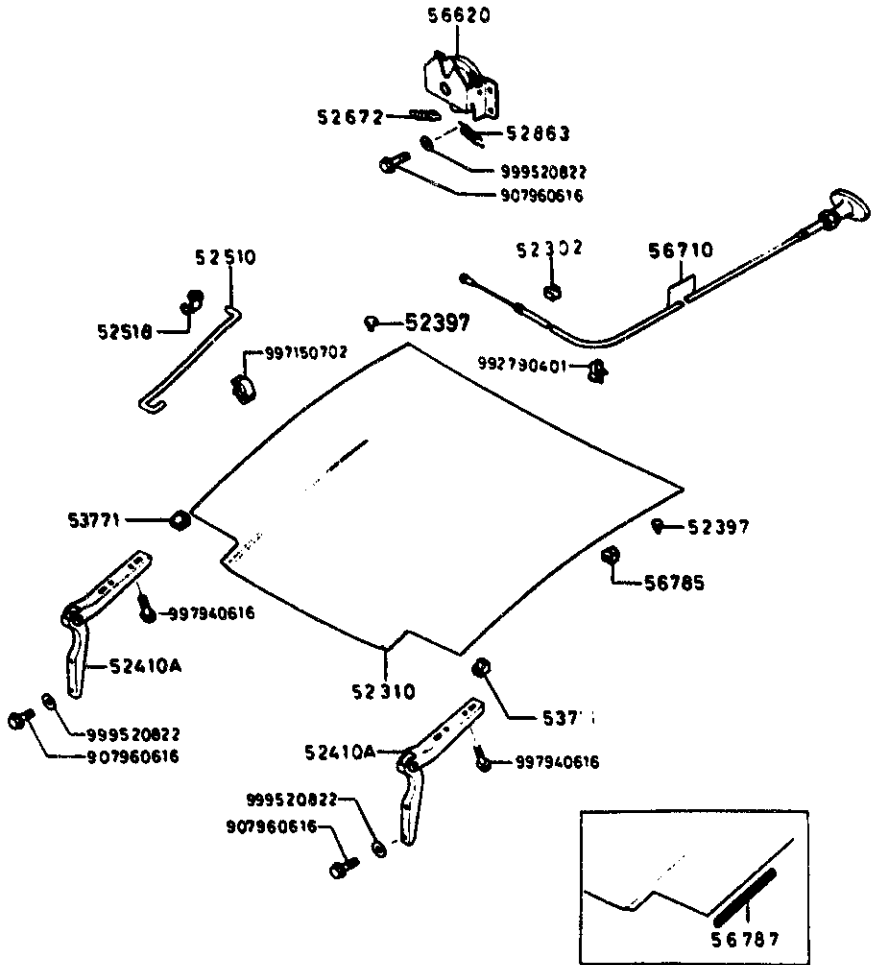
ITEM NO.	D-CODE	DESCRIPTION	PART NO.	QTY	MODEL/DESCRIPTION	REMARKS
51 545		REFLECTOR, DOOR	243-51-545	1		
51 721		NAME, SIDE	FA02-51-720	2	'MAZDA RX-7'	
51 771		ORNAMENT, FRONT	F023-51-770A	1	'MAZDA'	
51 771A		MARK, REAR	FA54-51-761	1	'GS'	
			FA58-51-761	1	'GSL'	
			FA78-51-761	1	'GSL-SE'	
51 781		ORNAMENT, REAR	F023-51-780	1		
51 782		CLIP, TUBULAR	H001-51-782	11		

5180A-1 COWL & EXTRACTOR GRILLES



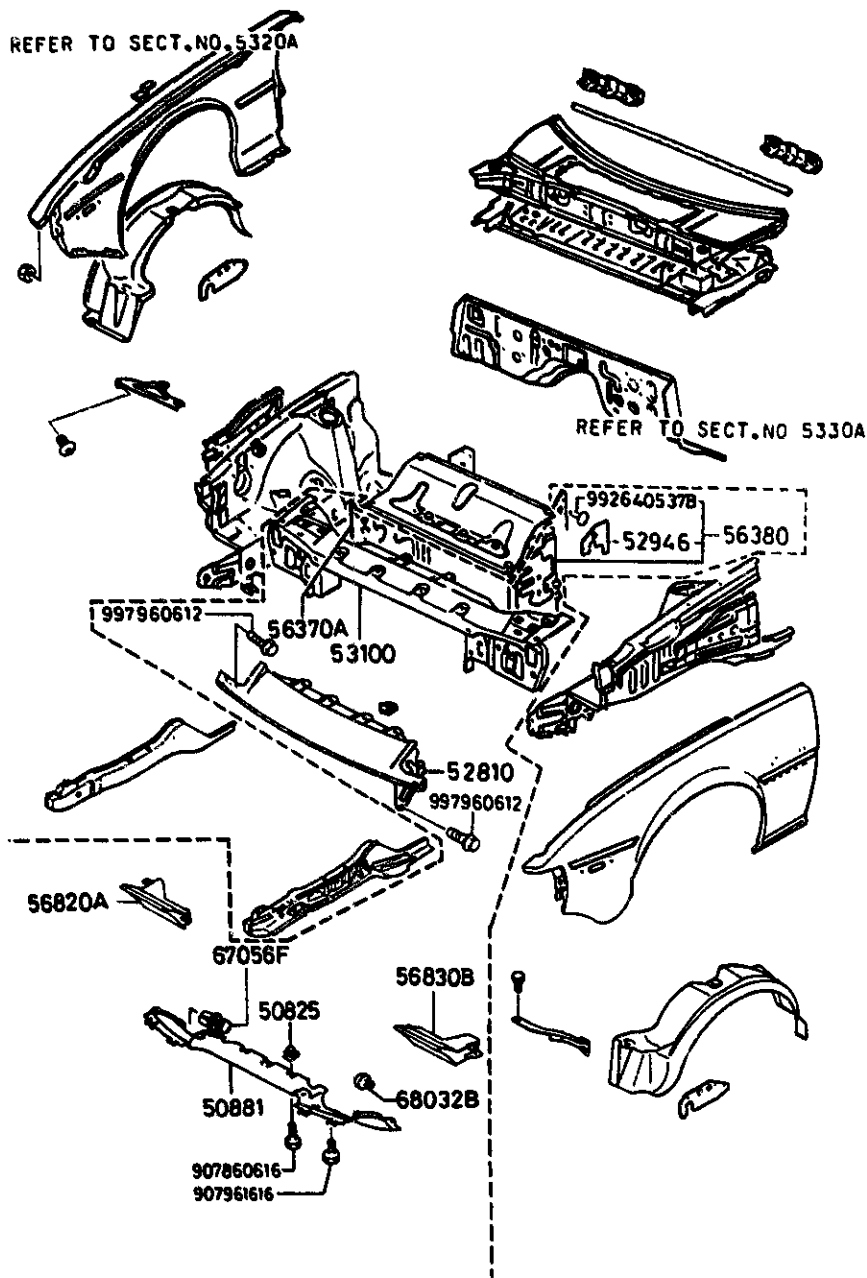
ITEM NO.	D-CODE	DESCRIPTION	PART NO.	QTY	MODEL/DESCRIPTION	REMARKS
42 459A		RUBBER, CUSHION	0259-42-459	4		
50 242A		FASTENER	G001-50-242	5		
50 781		PROTECTOR, COWL GRILL	8531-50-792	3		
50 791		GRILLE, COWL	FA54-50-791A	1		
50 795		BAFFLE, COWL	FA54-50-795	1		
50 850		FINISHER, REAR	FA07-50-840C	1		
50 855A		PROTECTOR, RR. FINISHER	FA01-50-855	2		
50 950C		SCREW	FA24-50-950	4	THRU NOV. '83 PROD.	FB33* .800001-811184
51 901		GRILLE (R), EXTRACTOR	8871-51-901C	1		
		GRILLE (L), EXTRACTOR	8871-51-951C	1		
51 911		EXTRACTOR (R)	8871-51-911A	1		
		EXTRACTOR (L)	8871-51-961A	1		
51 950		SPOILER, REAR	0000-86-2200	1		WESTERN REGION
51 966		PROTECTOR	FA16-51-966	6		
68 951C		PACKING	G030-50-978	2		

5230A-1 HOOD



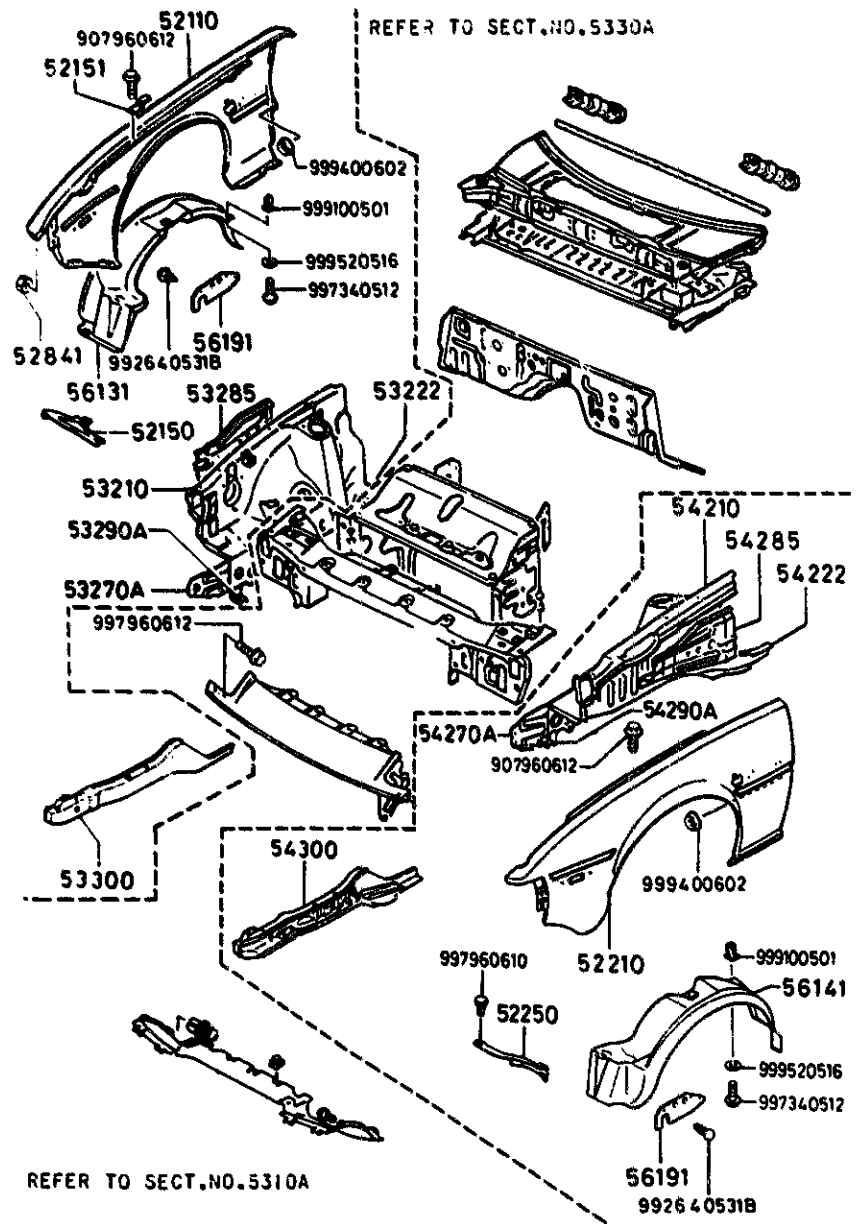
ITEM NO.	D-CODE	DESCRIPTION	PART NO.	QTY	MODEL/DESCRIPTION	REMARKS
52 302		CLAMP, RELEASE WIRE	0923-52-302	1		
52 310		HOOD	8871-74-250	1		
52 397		RUBBER, CUSHION	8173-52-231	2		
52 410A		HINGE, HOOD	8871-52-410	2		
52 510		STAY, HOOD	8871-52-511B	1		
52 518		HOLDER, HOOD STAY	8871-52-518	1		
52 672		SPRING, RETURN	1011-56-672A	1		
52 863		SPRING, RETURN	0305-52-863B	1		
53 771		RUBBER, CUSHION	8545-56-801A	2		
56 620		LOCK, HOOD	1708-56-620D	1		
56 710		WIRE, RELEASE-HOOD	8871-56-710A	1		
56 785		CUSHION	8871-56-785	1		
56 787		WEATHERSTRIP, HOOD	8871-56-787A	1		

5310A-1 BODY PANELS (FRONT)



ITEM NO	D-CODE	DESCRIPTION	PART NO	QTY	MODEL/DESCRIPTION	REMARKS
50 825		NUT, CLIP	8871-50-825	4	THRU FEB. '85 PROD.	FB33* .80001-889473
			FA01-50-054	4	FROM MAR. '85 PROD.	FB33* .889474.
50 881		SPOILER, FRONT	FA54-51-980	1		
52 810		PANEL, NOSE	8871-52-810G	1		
52 946		PLATE (L), SEAL	FA66-56-366	1	13B (GSL-SE) FROM JUL. '84 PROD.	FB33* .843885-
53 100		PANEL, RAD. SHROUD	FA54-53-100	1		
56 370A		PANEL (R), SIDE	FA54-56-370	1	12A (S, GS, GSU)	
			FA66-56-370	1	13B (GSL-SE)	
56 380		PANEL (L), SIDE	FA54-56-380A	1	12A (S, GS, GSU)	
			FA66-56-380	1	13B (GSL-SE) FROM JUL. '84 PROD.	FB33* .843885-
56 820A		DUCT (R), AIR	FA72-56-820C	1		
56 830B		DUCT (L), AIR	FA72-56-830C	1		
67 056F		RIVET	W023-67-056	2		
68 032B		FASTENER	B001-68-032	2		
		BLACK	00			

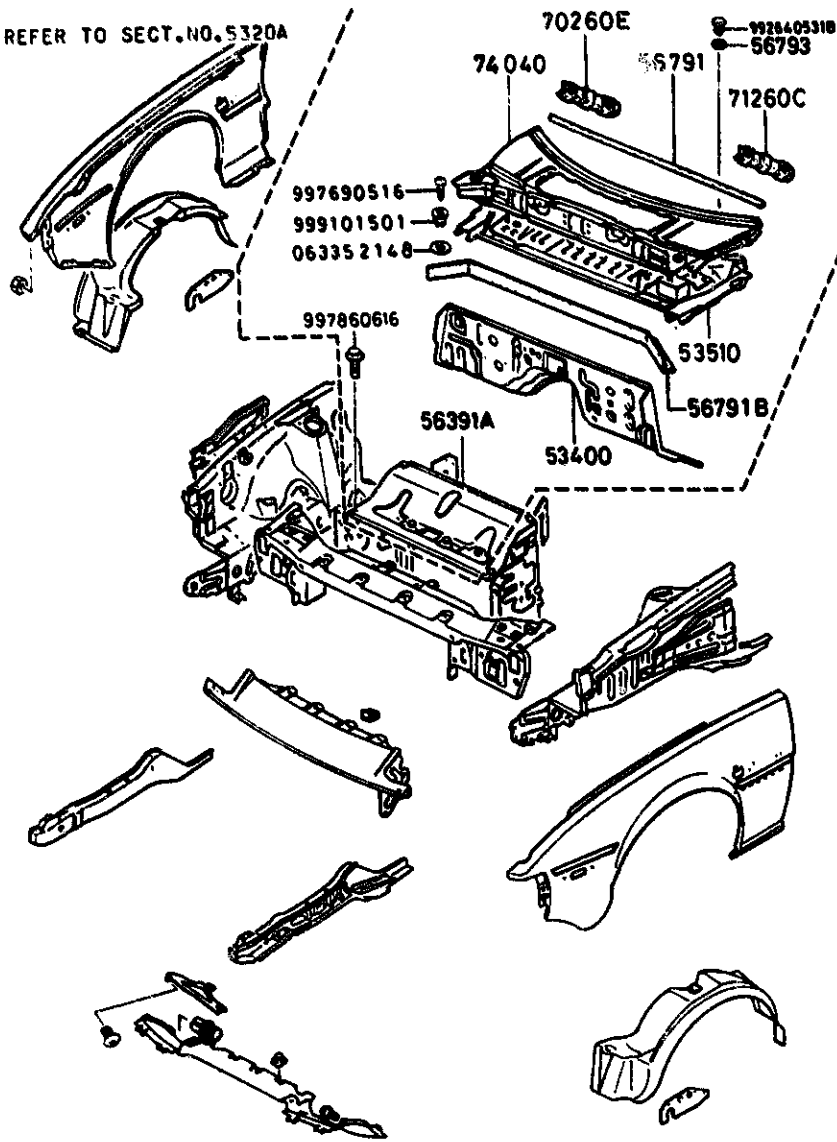
**5320A-1 BODY PANELS
(FENDER & WHEEL APRON)**



ITEM NO	D-CODE	DESCRIPTION	PART NO.	QTY	MODEL/DESCRIPTION	REMARKS
52 110		PANEL (R), FENDER-FRT.	FA01-52-111D	1		
52 150		STAY (R), FENDER	FA72-52-130A	1		
52 151		PLATE, SET-FENDER	8871-52-151	1		
52 210		PANEL (L), FENDER-FRT.	FA01-52-211D	1		
52 250		STAY (L), FENDER	FA72-52-230A	1		
52 841		NUT, CLIP-FRT. FENDER	8545-52-841	2		
53 210		PANEL (R), WHEEL APRON	FA54-53-210D	1		
53 222		PLATE (RR., R), CLOSING	8871-53-240A	1		
53 270A		PLATE (R), CLOSING	FA01-53-270A	1		
53 285		REINFORCEMENT (R), WHL. APRON	8871-53-285C	1		
53 290A		BRACKET (R), FENDER	FA01-53-290	1		
53 300		FRAME (R), SIDE-FRONT	FA54-53-310B	1		
54 210		PANEL (L), WHEEL APRON	FA54-54-210C	1		
54 222		PLATE (RR., L), CLOSING	8871-54-240A	1		
54 270A		PLATE (L), CLOSING	FA01-54-270A	1		
54 285		REINFORCEMENT (L), WHL. APRON	8871-54-285C	1		
54 290A		BRACKET (L), FENDER	FA01-54-290	1		
54 300		FRAME (L), SIDE-FRONT	FA54-54-310C	1		
56 131		SHIELD (R), SPLASH	FA54-56-130	1		
56 141		SHIELD (L), SPLASH	FA54-56-140	1		
56 191		SHIELD, SPLASH	8871-56-191C	2		

**5330A-1 BODY PANELS
(DASH & COWL PANEL)**

REFER TO SECT.NO.5320A



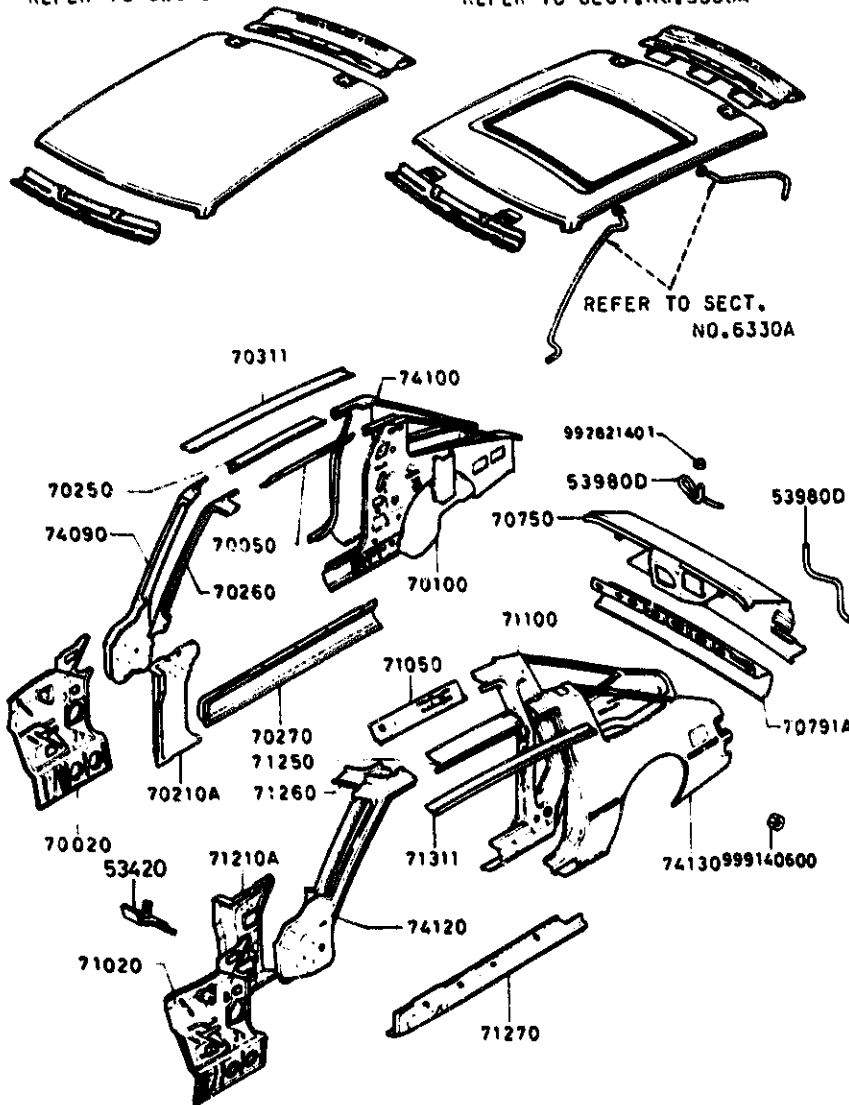
REFER TO SECT.NO.5310A

ITEM NO.	D-CODE	DESCRIPTION	PART NO.	QTY	MODEL/DESCRIPTION	REMARKS
53 400		PANEL, DASH-LOWER	FA54-53-400	1		
53 510		PANEL, DASH-UPPER	FA54-53-510D	1		
56 391A		PANEL, COWLING UP	FA54-56-391	1		
56 791		RUBBER, SEAL	FA54-56-791	1		
56 791B		RUBBER, SEAL	FA54-56-791	1		
56 793		GASKET	G030-56-793	4	THRU OCT. '83 PROD.	FB33* .80001-80582
				2	FROM NOV. '83 PROD.	FB33* .80583-
70 260E		BRACKET (III), INST.	8871-70-260	1		
71 260C		BRACKET (II), INST.	8871-71-260	1		
74 040		PANEL, COWL	FA01-74-040A	1		

5340A-1 BODY PANELS (SIDE)

REFER TO SECT. NO. 5360A

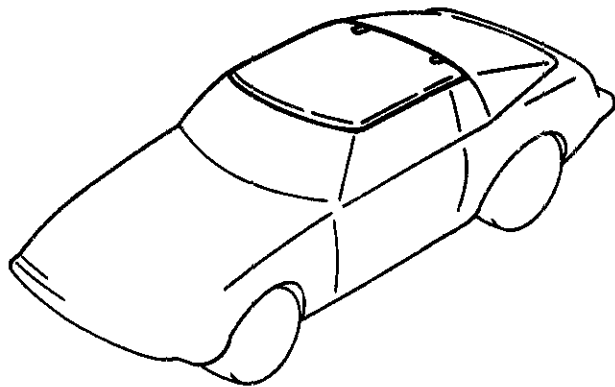
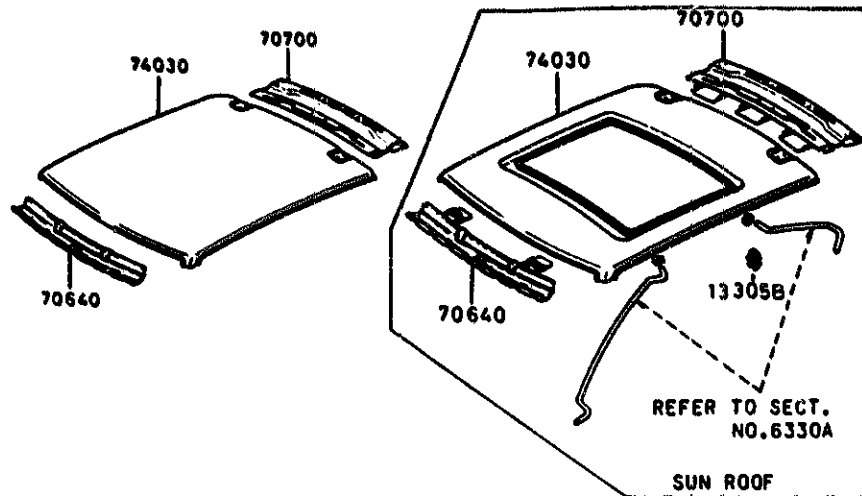
REFER TO SECT. NO. 5360A



REFER TO SECT.
NO. 6330A

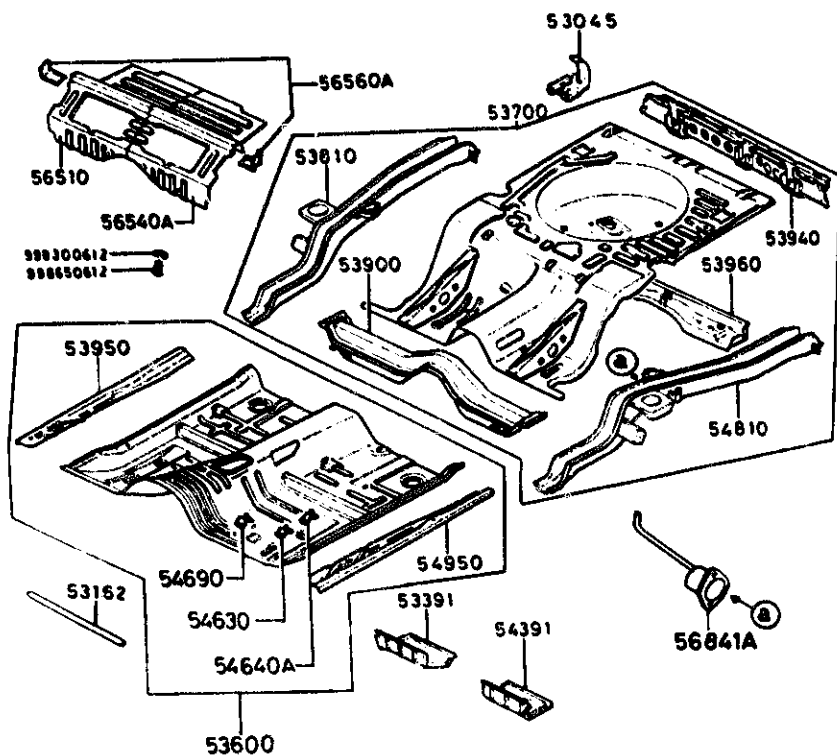
ITEM NO.	D-CODE	DESCRIPTION	PART NO.	QTY	MODEL/DESCRIPTION	REMARKS
53 420		BRACKET 'A', CONTROL UNIT	F023-53-420	1		
53 980D		HOSE, DRAIN-REAR	8871-56-751A	2		
70 020		PANEL (R), COWL SIDE	8871-70-020E	1		
70 050		RAIL (R), ROOF-INNER	8871-70-051D	1		
70 100		PANEL (R), QUARTER	FA54-70-100D	1		
70 210A		PILLAR (R), HINGE	FA54-70-210A	1		
70 250		RAIL (R), ROOF-OUTER	8871-70-251	1		
70 260		PILLAR (R), FRT.-INNER	8871-70-240C	1		
70 270		PANEL (R), SIDE SILL	8871-70-271B	1		
70 311		RAIL (R), RAIN	8871-70-311A	1		
70 750		PANEL, REAR END	FA54-70-750	1		
70 791A		PANEL, SKIRT-RR.	FA01-70-791	1		
71 020		PANEL (L), COWL SIDE	FA54-71-020A	1		
71 050		RAIL (L), ROOF-INNER	8871-71-051D	1		
71 100		PANEL (L), QUARTER	FA54-71-100E	1		
71 210A		PILLAR (L), HINGE	FA54-71-210B	1		
71 250		RAIL (L), ROOF-OUTER	8871-71-251	1		
71 260		PILLAR (L), FRT.-INNER	8871-71-240C	1		
71 270		PANEL (L), SIDE SILL	8871-71-271B	1		
71 311		RAIL (L), RAIN	8871-71-311A	1		
74 090		PILLAR (R), HINGE-OUT	8871-70-220C	1		
74 100		PANEL (R), FENDER-REAR	FA01-70-400A	1		
74 120		PILLAR (L), HINGE-OUT	8871-71-220C	1		
74 130		PANEL (L), FENDER-REAR	FA42-71-400B	1		

5360A-1 BODY PANELS (ROOF)



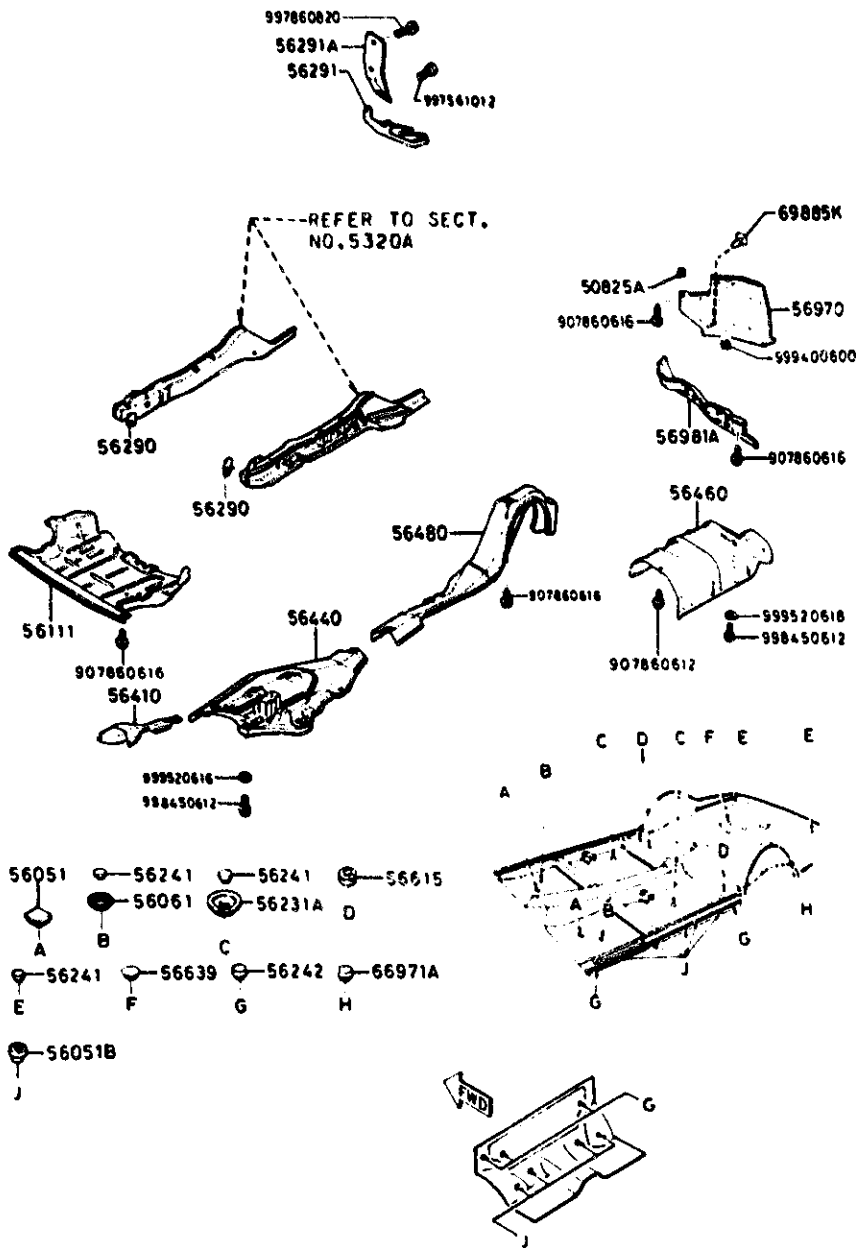
ITEM NO.	D-CODE	DESCRIPTION	PART NO.	QTY	MODEL/DESCRIPTION	REMARKS
13 305B		CLIP, DRAIN HOSE	8871-13-305	2		
70 640		HEADER, FRONT	8871-70-640A 8973-70-640A	1	NOR. ROOF (S. GS) SUN ROOF (GSI, GSI-SE) (OPT. GS)	
70 700		HEADER, REAR	FA01-70-700A FA04-70-700A	1	NOR. ROOF (S. GS) SUN ROOF (GSI, GSI-SE) (OPT. GS)	
74 030		PANEL, ROOF	1482-74-030 8871-74-030	1	SUN ROOF (GSI, GSI-SE) (OPT. GS) NOR ROOF (S. GS)	

5370A-1 BODY PANELS (FLOOR)



ITEM NO.	D-CODE	DESCRIPTION	PART NO.	QTY	MODEL/DESCRIPTION	REMARKS
53 045		BRACKET, JACK	8871-53-050A	1		
53 162		MEMBER, CROSS	8871-53-161	1		
53 391		BOX (R), TORQUE	FA01-53-391B	1		
53 600		PAN, FLOOR-FRONT	FA54-53-600J	1	12A M/T (S. GS. GSU)	
			FA55-53-600F	1	A/T	
			FA66-53-600C	1	13B M/T (GSU-SF)	
53 700		PAN, FLOOR-REAR	FA54-53-700	1		
53 810		FRAME (R), REAR SIDE	FA54-53-810	1		
53 900		MEMBER NO. 3, CROSS	FA54-53-900	1		
53 940		MEMBER NO. 4, CROSS	FA54-53-940	1		
53 950		PANEL (R), SIDE SILL	8871-53-951B	1		
53 960		MEMBER NO. 5, CROSS	FA54-53-930A	1		
54 391		BOX (L), TORQUE	8871-54-391C	1		
54 630		BRACKET 'B', CONTROL UNIT	F023-54-630C	1		
54 640A		BRACKET 'C', CONTROL UNIT	F023-54-640	2		
54 690		BRACKET 'D', CONTROL UNIT	F023-54-690B	1		
54 810		FRAME (L), REAR SIDE	FA54-54-810A	1		
54 950		PANEL (L), SIDE SEAL	8871-54-951A	1		
56 510		DECK (R), FLOOR	FA54-56-510B	1		
56 540A		DECK (L), FLOOR	FA54-56-541B	1		
56 560A		BRACKET, DECK	8871-56-560A	2		
56 841A		CHAMBER, DRAIN HOSE	FA54-56-841	1		

5390A-1 FLOOR ATTACHMENTS

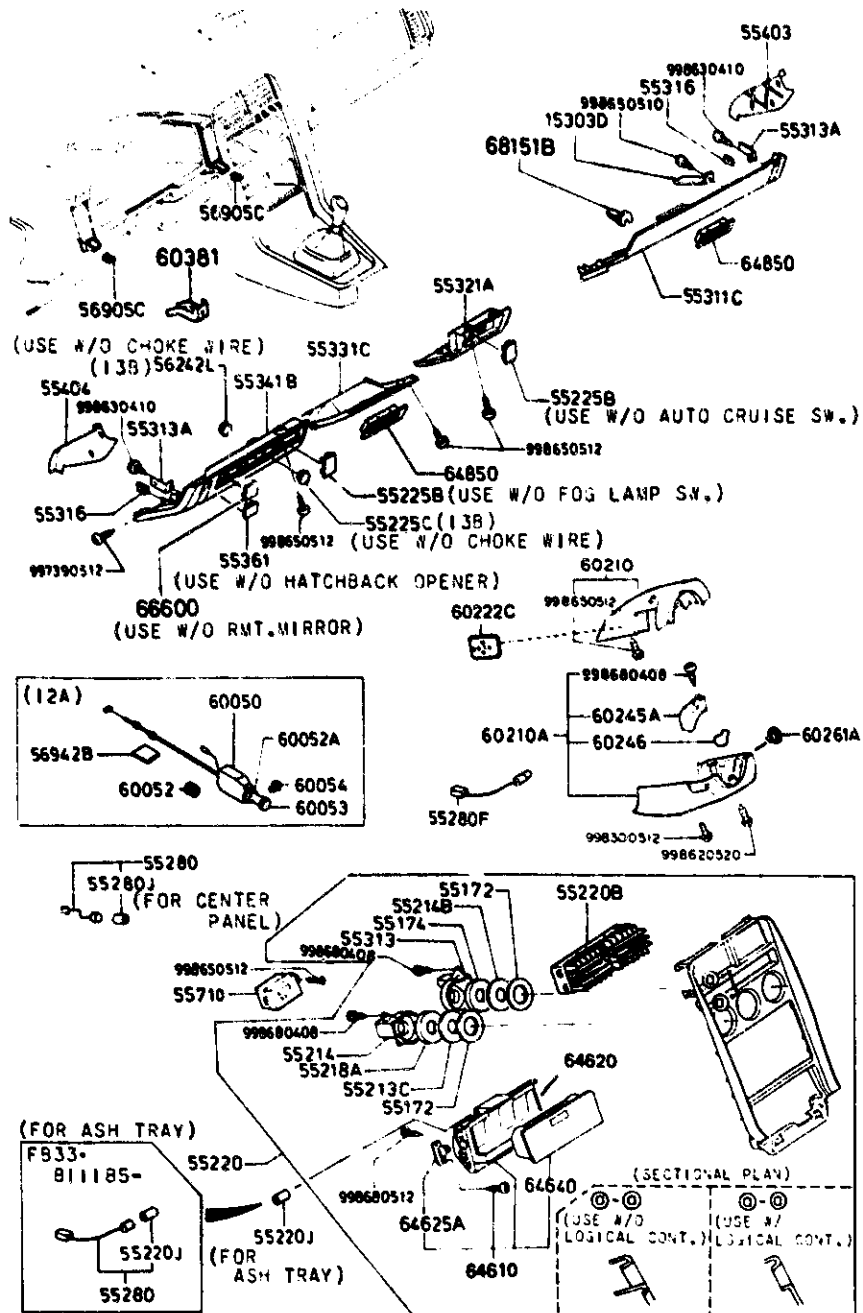


ITEM NO	D-CODE	DESCRIPTION	PART NO	QTY	MODEL/DESCRIPTION	REMARKS
50	825A	NUT, CLIP-PROTECTOR	8871-50-825	1	THRU FEB '85 PROD.	FB33* 800001-889473
			FA01-50-054	1	FROM MARCH '85 PROD	FB33* 889474-
56	051	COVER, HOLE	1011-56-051	2		
56	051B	COVER, HOLE	8001-56-051	10		
56	081	COVER, SERVICE HOLE	0886-56-971	2		
56	111	COVER, UNDER	FA54-56-111C	1		
56	231A	COVER, SERVICE HOLE	8545-56-053	2		
56	241	PLUG, DRAIN	0118-56-241	8		
56	242	PLUG, DRAIN	0118-56-242B	3		
56	290	HOOK (R), FRONT	FA01-53-170B	1		
		HOOK (L), FRONT	FA01-54-170B	1		
56	291	HOOK, REAR	8871-56-271E	1		
56	291A	HOOK, TIE DOWN	8871-56-281D	1		
56	410	INSULATOR, HEAT-FRONT	FA55-56-431B	1		
56	440	INSULATOR NO. 2, FRONT	FA54-56-440D	1	M/T THRU OCT '83 PROD.	FB33* 800001-806987
			FA54-56-440E	1	M/T FROM NOV. '83 PROD	FB33* 806988-
			FA55-56-440F	1	A-T	
56	450	INSULATOR NO. 4, REAR	FA54-56-420B	1		
56	480	INSULATOR NO. 1, REAR	FA55-56-410A	1		
56	615	PLUG, DRAIN	0222-61-622	3		
56	639	COVER, SERVICE HOLE	0810-56-639	3		
56	970	PROTECTOR, FUEL TANK	8871-56-970D	1		
56	981A	INSULATOR	8871-56-981C	1		
56	991D	INSULATOR	8871-56-991A	1		
66	971A	RUBBER, SEAL	0222-66-971	2		
69	885K	FASTENER, PROTECTOR	0866-69-885A	1		
		BLACK	00			
		RED	11			
		OFF-BLACK	65			
		BROWN	78			

SECTION INDEX -- BODY

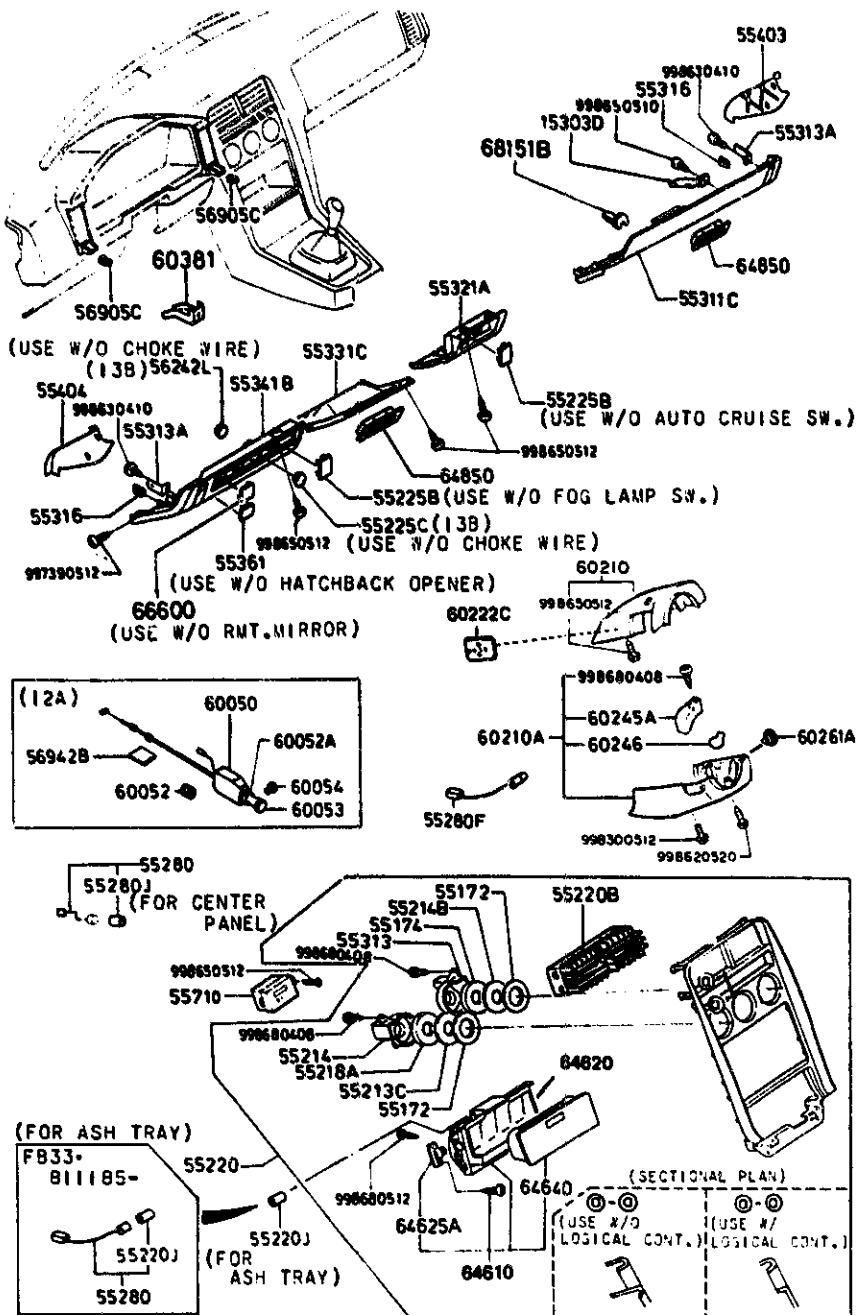
STARTING LOCATION	SECT NO.	SECTION NAME	STARTING LOCATION	SECT NO.	SECTION NAME	STARTING LOCATION	SECT NO.	SECTION NAME
2 - C 3	0900A	KEY SETS	2 - C 7	5840A	FRONT DOOR TRIM & RELATED PARTS	2 - G 10	6702A	WIRE HARNESS (DASHBOARD)
2 - D 3	5000A	FRONT BUMPER	2 - H 7	6100A	HEATER	2 - H 10	6703A	WIRE HARNESS (DOOR, FLOOR CEILING)
2 - E 3	5005A	RADIATOR GRILLE	2 - I 7	6110A	HEATER UNIT COMPONENTS	2 - I 10	6704A	WIRE HARNESS CLAMPS
2 - F 3	5010A	REAR BUMPER	2 - J 7	6115A	HEATER CONTROLS COMPONENTS	2 - J 10	6720A	WINDSHIELD WASHER
2 - G 3	5030A	WINDOW MOULDINGS	2 - K 7	6120A	HEATER BLOWER COMPONENTS	2 - K 10	6730A	WINDSHIELD WIPER
2 - H 3	5040A	BODY MOULDINGS	2 - L 7	6125B	AIR CONDITIONER	2 - L 10	6740A	WIPER MOTOR COMPONENTS (FRONT)
2 - I 3	5060A	SIDE PROTECTORS	2 - M 7	6130B	AIR CONDITIONER (NIPPONDENSO)	2 - M 10	6750A	WINDOW WIPER & WASHER (REAR) (GSL, GSL-SE)
2 - J 3	5100A	HEAD LAMPS	2 - C B	6132B	AIR CONDITIONER (WYNN'S)	2 - N 10	6760A	WINDOW WIPER MOTOR COMPONENTS (REAR) (GSL, GSL-SE)
2 - K 3	5103A	HEAD LAMP RETRACTOR	2 - D B	6140B	A C COMPRESSOR BRACKETS (NIPPONDENSO)	2 - C 11	6800A	CEILING TRIM
2 - L 3	5105A	FRONT COMBINATION LAMPS	2 - F B	6142B	A C COMPRESSOR COMPONENTS (WYNN'S)	2 - D 11	6820A	PILLAR TRIM
2 - M 3	5110A	REAR COMBINATION LAMPS	2 - H B	6145B	A C COMPRESSOR COMPONENTS (NIPPONDENSO)	2 - F 11	6840A	TRIM & SCUFF PLATE
2 - N 3	5120A	LICENSE LAMPS	2 - J B	6150B	COOLING UNIT (NIPPONDENSO)	2 - I 11	6860A	FLOOR MATS & PADS
2 - C 4	5125A	INTERIOR LAMPS	2 - L B	6152B	COOLING UNIT (WYNN'S)	2 - J 11	6870A	SERVICE TOOLS
2 - D 4	5170A	ORNAMENTS	2 - M B	6230A	BACK DOOR MECHANISM	2 - K 11	6900A	VISOR, ASSIST HANDLE & MIRRORS
2 - E 4	5180A	COWL & EXTRACTOR GRILLES	2 - N B	6300A	WINDOW GLASSES	2 - N 11	6920A	CAUTION PLATES & LABEL
2 - F 4	5230A	HOOD	2 - C 9	6330A	SUNROOF (GSL, GSL-SE)			
2 - G 4	5310A	BODY PANELS (FRONT)	2 - D 9	6600A	SWITCH & RELAY (ENGINE)			
2 - H 4	5320A	BODY PANELS (FENDER & WHEEL APRON)	2 - F 9	6610A	DASHBOARD SWITCHES (MANUAL OPERATING)			
2 - I 4	5330A	BODY PANELS (DASH & COWL PANEL)	2 - G 9	6611A	COMBINATION SWITCH			
2 - J 4	5340A	BODY PANELS (SIDE)	2 - H 9	6612A	CLUSTER SWITCH (RIGHT SIDE)			
2 - K 4	5360A	BODY PANELS (ROOF)	2 - I 9	6613A	CLUSTER SWITCH (LEFT SIDE)			
2 - L 4	5370A	BODY PANELS (FLOOR)	2 - J 9	6615A	POWER WINDOW SWITCH			
2 - M 4	5390A	FLOOR ATTACHMENTS	2 - K 9	6620A	DOOR, PARKING LAMP & KICKDOWN SWITCHES			
2 - C 5	5500A	DASHBOARD EQUIPMENT	2 - L 9	6630A	RELAY & CPU (BODY)			
2 - F 5	5520A	METER HOOD	2 - M 9	6635A	HORN			
2 - G 5	5530A	SPEEDOMETER CABLE	2 - N 9	6640A	AUTO CRUISE CONTROLS			
2 - H 5	5540A	METERS	2 - C 10	6680A	AUDIO SYSTEMS (RADIO & TAPE DECK)			
2 - I 5	5550A	CLUSTER SWITCH COVER	2 - D 10	6682A	AUDIO SYSTEMS (ANTENNA & SPEAKER)			
2 - J 5	5560A	DASHBOARD & RELATED	2 - E 10	6700A	WIRE HARNESS (FRONT & REAR)			
2 - L 5	5570A	CONSOLE	2 - F 10	6701A	WIRE HARNESS (ENGINE & TRANSMISSION)			
2 - N 5	5580A	VENTILATOR						
2 - C 6	5700A	FRONT SEAT						
2 - H 6	5790A	SEAT BELTS						
2 - I 6	5800A	FRONT DOOR						
2 - J 6	583GA	FRONT DOOR MECHANISMS						

5500A-1 DASHBOARD EQUIPMENT



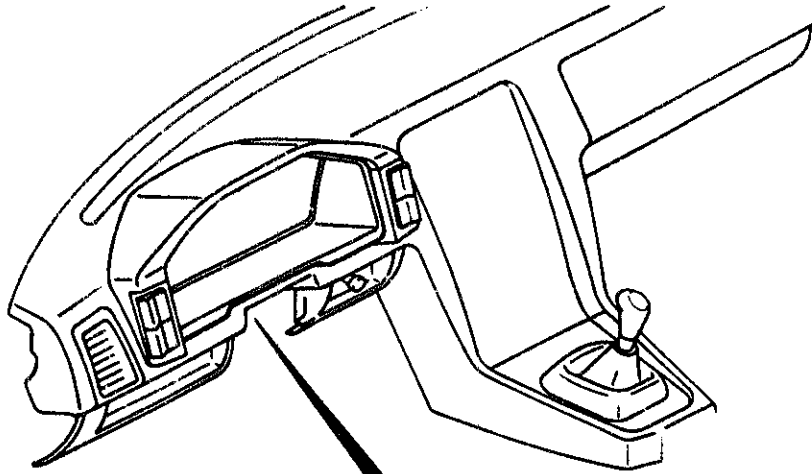
ITEM NO.	D-CODE	DESCRIPTION	PART NO.	QTY	MODEL/DESCRIPTION	REMARKS
15 303D		CLIP	2667-15-303A	5		
55 172		LENS	FA54-55-212	2		
55 174		LENS	FA54-55-215	1		
55 213C		PANEL NO. 1, DECO.	FA54-55-213	1		
55 214		PLATE, RETAINER	FA54-55-216	1		
55 214B		PANEL NO. 2, DECO.	FA54-54-214	1		
55 218A		LENS	FA54-55-218	1		
55 220		PANEL, CENTER	FA55-55-210B	1	S. GS	
		SILVER METALLIC	07			
		SILVER METALLIC	07			
55 220B		LOUVER, CENTER PANEL	FA54-64-71X	2	FROM NOV. '84 PROD.	FB33* .871511-
55 220J		BULB	0000-11-0194	1	(3.4W)	
55 225B		COVER, HOLE	B001-55-225A	2	(USE W/O AUTO. CRUISE SW.) (USE W/O FOG. LAMP SW.)	
55 225C		COVER, HOLE-SW. PANEL	G030-55-225	1	13B (USE W/O CHOKE WIRE) (GSL-SE)	
		RED	10			
		OFF-BLACK	65			
		BROWN	78			
55 280		BULB & SOCKET	FA54-55-280	1	(FOR ASH TRAY) FROM DEC. '83 PROD.	FB33* .811185-
			8871-55-280	2	(FOR CENTER PANEL)	
55 280F		BULB & SOCKET	G032-55-280A	1	GS, GSL, GSL-SE	
55 280J		BULB	0000-11-0074	2	(1.4W)	
55 311C		PANEL (R), LOWER	FA54-55-311	1		
		RED	11			
		OFF-BLACK	64			
		BROWN	79			
55 313		PLATE, RETAINER	FA54-55-217	1		
55 313A		BRACKET, LOWER PANEL	FA54-55-313	2		
55 316		SPACER, SPRING	FA54-55-316	2		
55 321A		PANEL (L), LWR.-NO. 1	FA54-55-321	1		
		RED	10			
		OFF-BLACK	65			
		BROWN	78			
55 331C		PANEL (L), LWR.-NO. 2	FA54-55-331	1		
		RED	11			
		OFF-BLACK	64			
		BROWN	79			
55 341B		PANEL (L), LWR.-NO. 3	FA54-55-341	1		

5500A-3 DASHBOARD EQUIPMENT

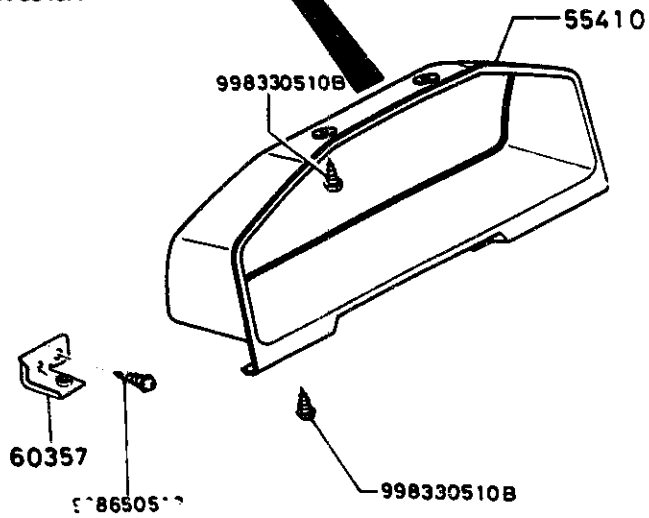


ITEM NO.	D-CODE	DESCRIPTION	PART NO.	QTY	MODEL/DESCRIPTION	REMARKS
64	850	LOUVER	FA54-64-850A	2		
		RED	11			
		OFF-BLACK	64			
		BROWN	79			
66	600	COVER, HOLE	FA01-55-225	1	S MODEL	
68	151B	CLIP	G030-68-151	3		

5520A-1 METER HOOD



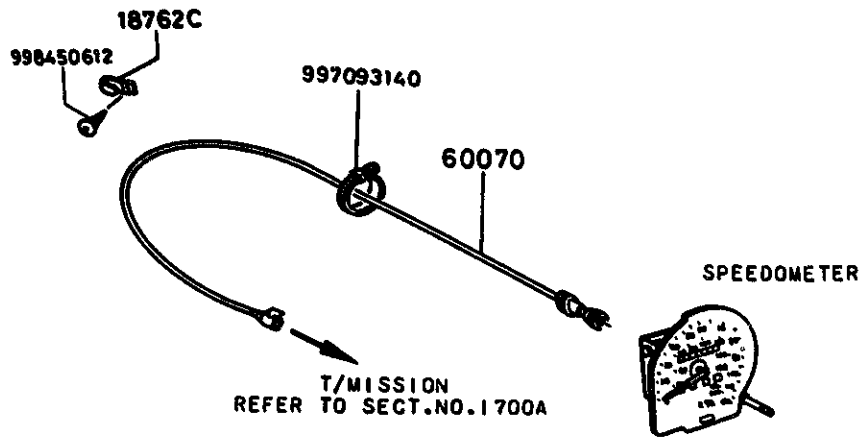
• SEE METERS IN 5540A



ITEM NO.	D-CODE	DESCRIPTION	PART NO.	QTY	MODEL/DESCRIPTION	REMARKS
55 410		HOOD, METER	FAS4-55-421	1		
60 357		BRACKET NO. 2, HOOD	FAS4-60-357	2		

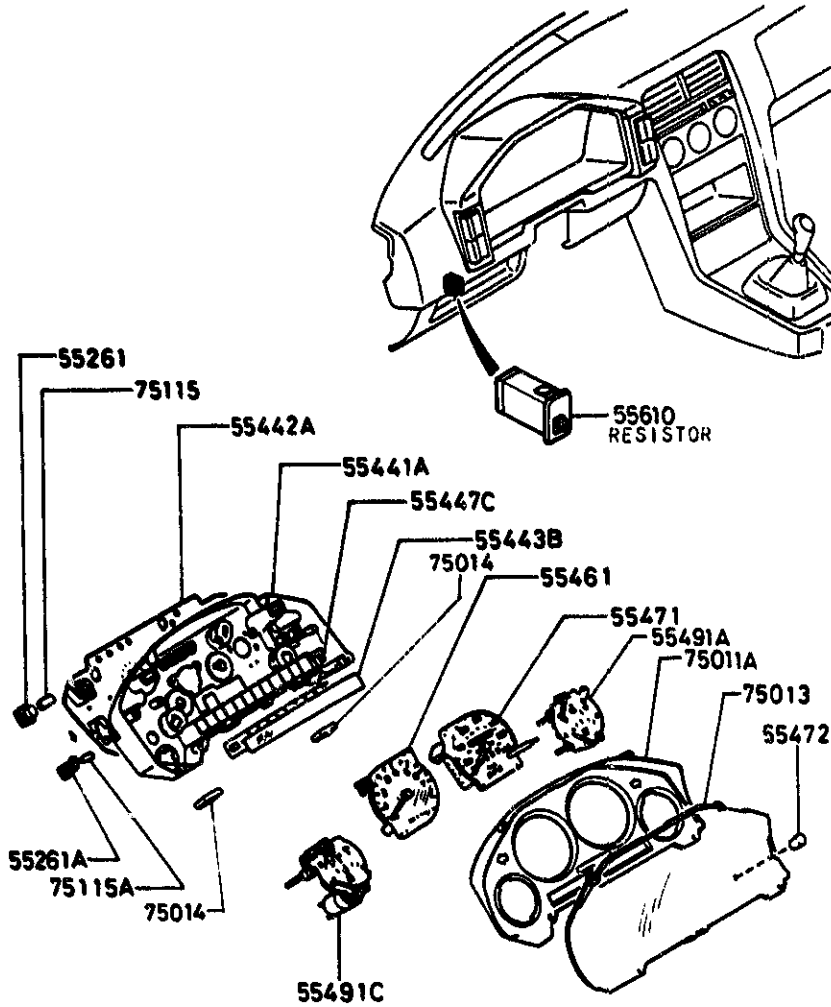
5530A-1 SPEEDOMETER CABLE

ITBM NO.	D-CODE	DESCRIPTION	PART NO.	QTY	MODEL-DESCRIPTION	REMARKS
	18 762C	CLIP	8173-18-762	1		
	60 070	CABLE, SPEEDOMETER	8871-60-070B	1	M/T	
			FASS-60-070B	1	A/T	



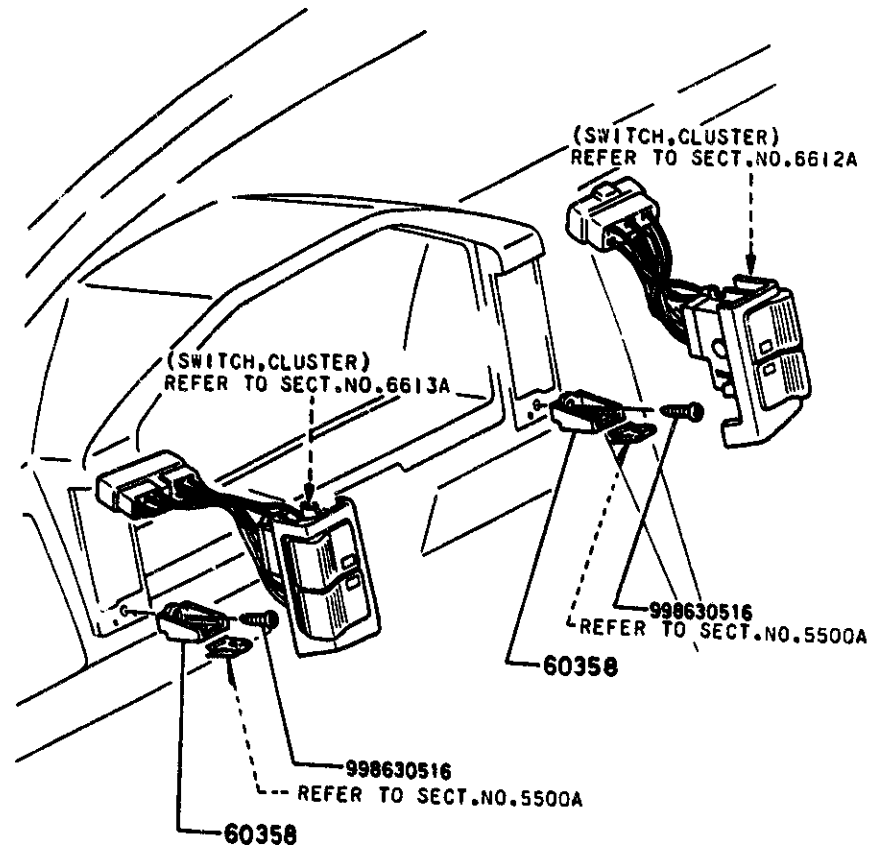
5540A-1 METERS

• SEE METER HOOD IN 5520A



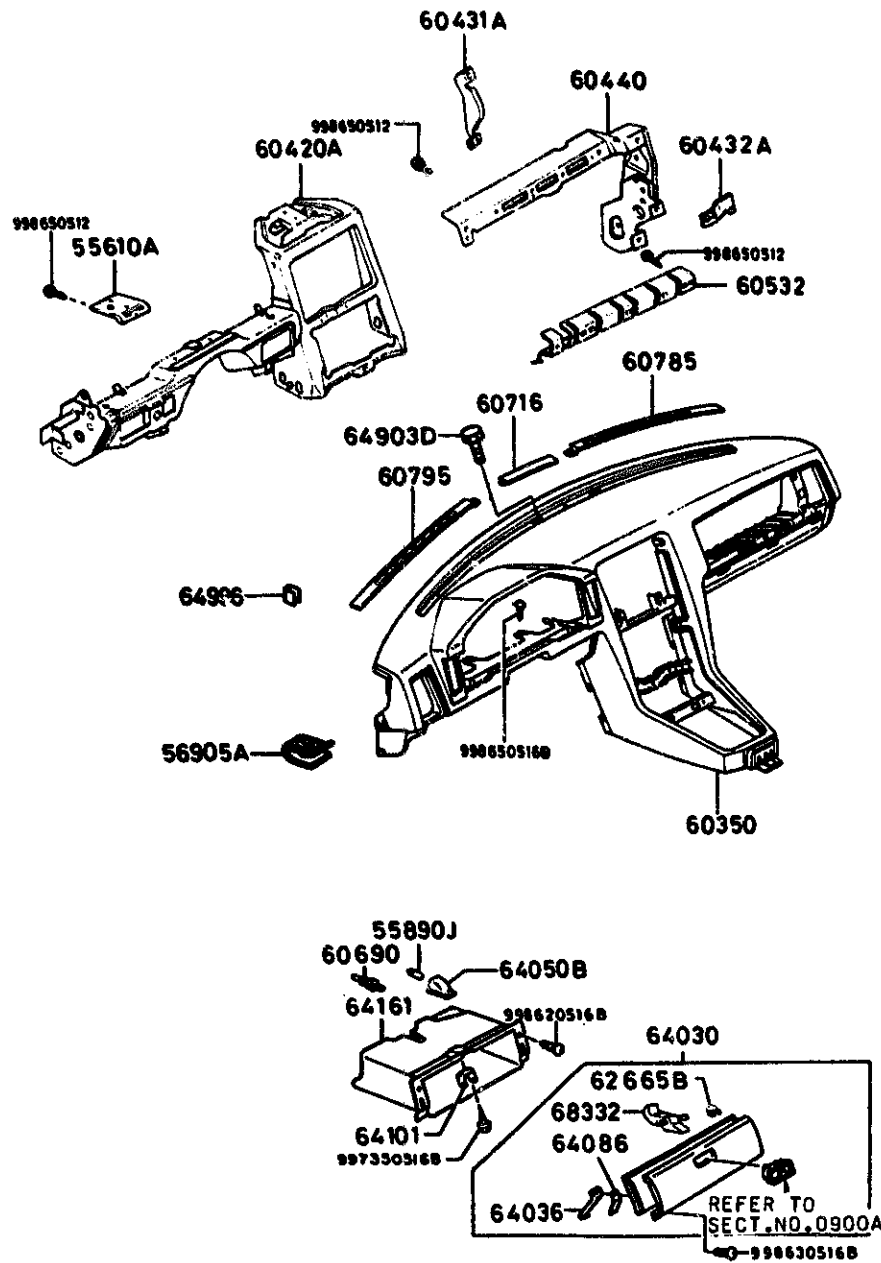
ITEM NO.	D-CODE	DESCRIPTION	PART NO.	QTY	MODEL/DESCRIPTION	REMARKS
55 261		SOCKET	1316-55-261	5		
55 261A		SOCKET	8548-55-261	12		
55 441A		CASE, METER	FA54-55-441	1		
55 442A		PLATE, PRINT	FA54-55-442	1		
55 443B		LENS, SMOKE	FA54-55-447	1		
55 447C		LENS, WARNING	FA54-55-444	1		
55 461		TACHOMETER	FA54-55-461	1		
55 471		SPEEDOMETER	FA54-55-471	1		
55 472		KNOB, TRIPMETER	1907-75-102A	1		
55 491A		GAUGE, FUEL & TEMPERATURE	FA54-55-481	1		
55 491C		GAUGE, OIL & VOLTAGE	FA54-55-491	1		
55 610		RESISTOR	FA54-55-49D	1		
75 011A		PLATE, WINDOW	FA54-55-446	1		
75 013		GLASS, FRONT	FA54-55-448	1		
75 014		CAP	FA54-55-449	2		
75 115		BULB	0000-11-0194	5	(3.4W)	
75 115A		BULB	0000-11-0074	12	(1.4W)	

5550A-1 CLUSTER SWITCH COVER



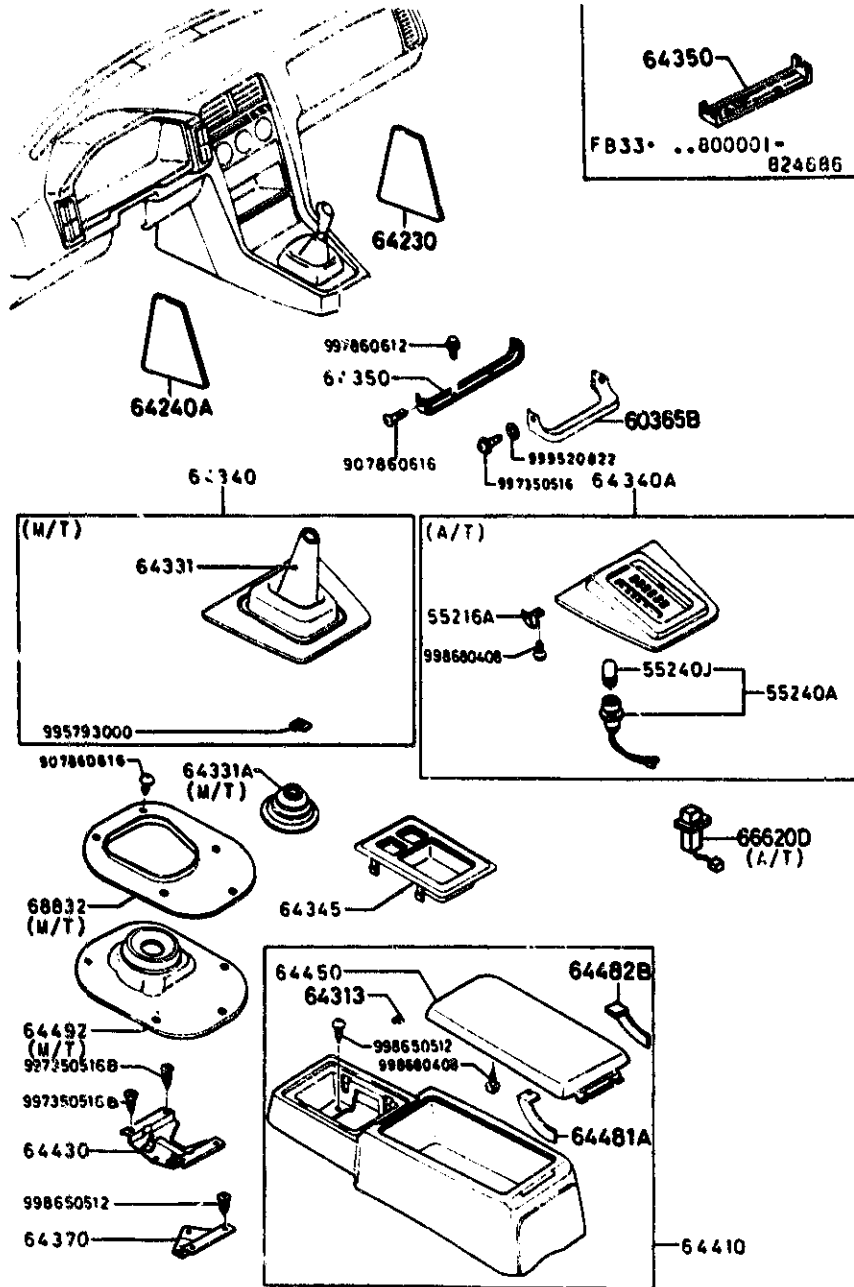
ITEM NO.	D-CODE	DESCRIPTION	PART NO.	QTY	MODEL/DESCRIPTION	REMARKS
	60 358	BRACKET, CLUSTER SWITCH	FA54-60-358	2		

5560A-1 DASHBOARD & RELATED



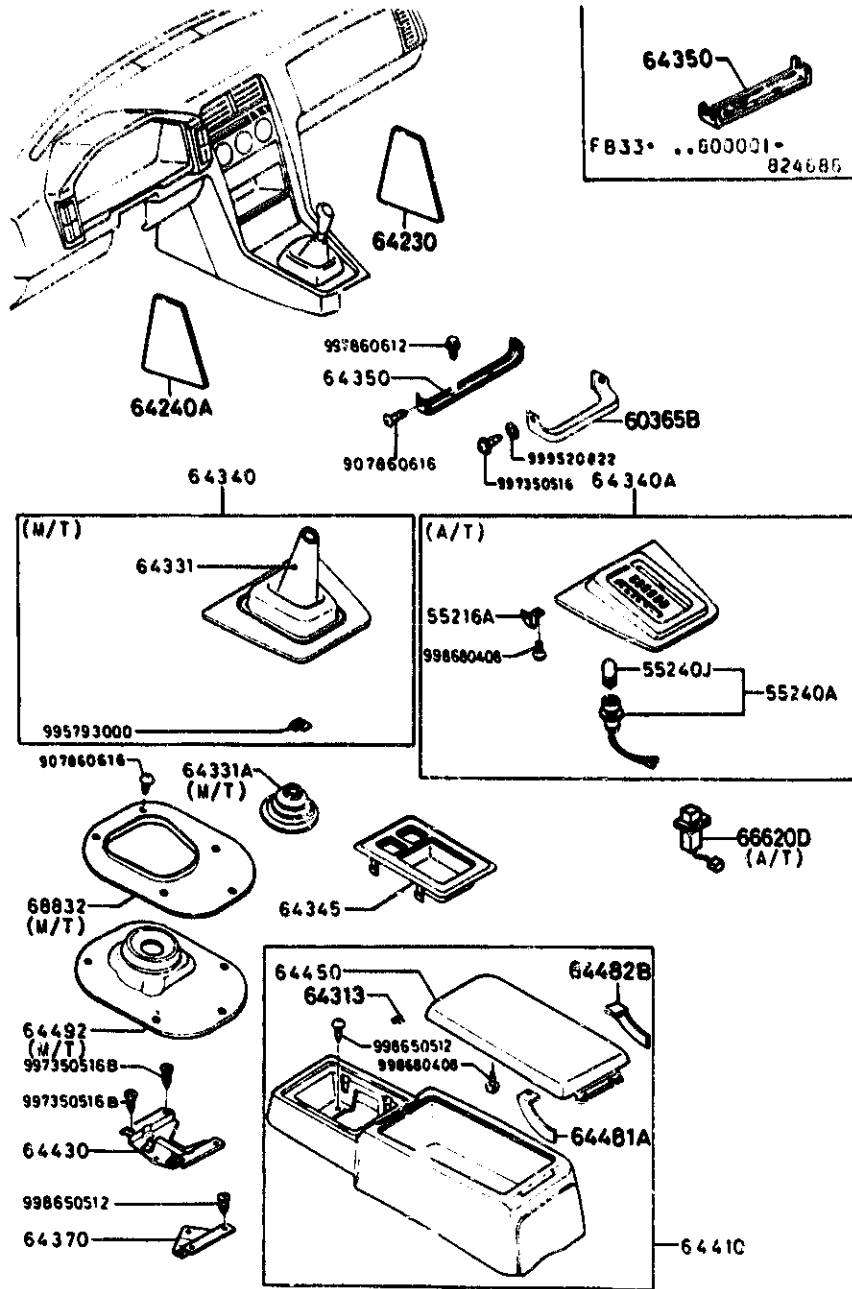
ITEM NO.	D-CODE	DESCRIPTION	PART NO	QTY	MODEL/DESCRIPTION	REMARKS
55 610A		BRACKET, FUSE BOX	FA54-60-481	1		
55 890J		BULB	0000-11-0194	1	(3.4W)	
56 905A		NUT, SPRING	8597-61-122	16		
60 350		PAD, CRUSH	FA54-60-350	1		
		RED	11			
		OFF-BLACK	64			
		BROWN	79			
60 420A		FRAME, INST. PANEL	FA54-60-420A	1		
60 431A		BRACKET NO. 1	FA54-60-445	1		
60 432A		BRACKET NO. 2	FA54-60-446	1		
60 440		REINFORCEMENT, GLOVE TRAY	FA54-60-440	1		
60 532		FRAME, GLOVE BOX-LWR.	FA54-60-531	1		
60 690		SWITCH, GLOVE TRAY	FA54-66-540	1		
60 716		GRILLE, DEF. NOZZLE	FA54-60-786	1		
		RED	10			
		OFF-BLACK	65			
		BROWN	78			
60 785		GRILLE (R), DEF. NOZZLE	FA54-60-785	1		
		RED	10			
		OFF-BLACK	65			
		BROWN	78			
60 795		GRILLE (L), DEF. NOZZLE	FA54-60-795	1		
		RED	10			
		OFF-BLACK	65			
		BROWN	78			
62 665B		RUBBER, CUSHION	0259-58-612	2		
64 030		LID, GLOVE POCKET	FA54-64-030A	1		
		RED	11			
		OFF-BLACK	64			
		BROWN	79			
64 036		STOPPER (R), GLOVE LID	FA54-64-035	1		
		STOPPER (L), GLOVE LID	FA54-64-045	1		
64 050B		BOX, BULB	H043-64-050	1		
64 086		SPRING, GLOVE LID	FA54-64-044	1		
64 101		STRIKER	FA54-64-101	1		
64 161		TRAY, GLOVE	FA54-64-161	1	(W/O INNER TRIM) (BLACK)	
			FA55-64-161	1	(W/INNER TRIM) (BLACK)	
64 903D		BOLT	B002-64-903	3		
64 996		NUT, EXPANSION	H043-64-996A	8		
68 332		HOOK, GLOVE LID	FA54-64-042	1		

5570A-1 CONSOLE



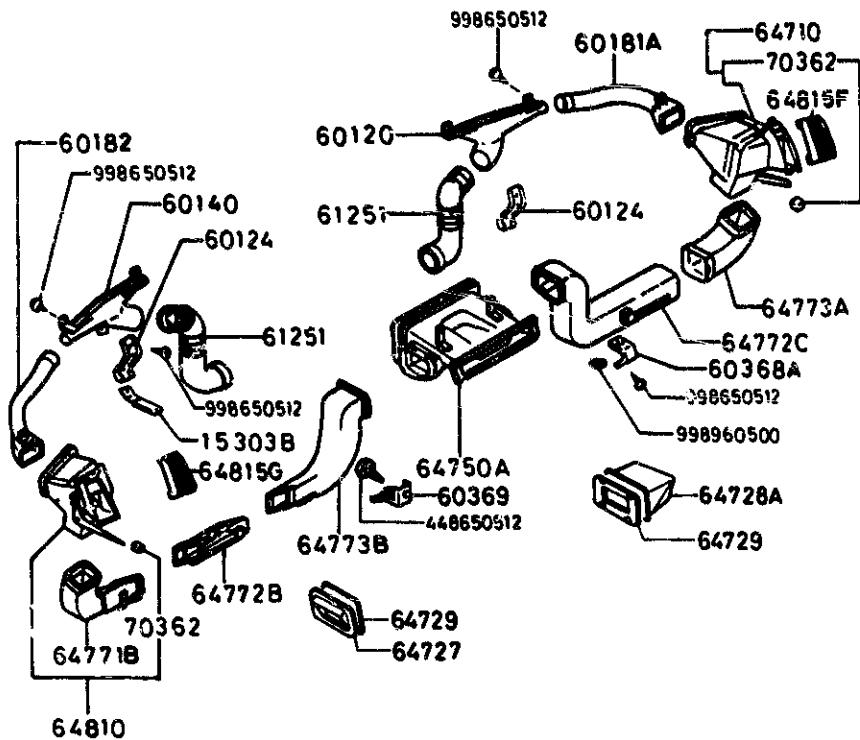
ITEM NO.	D-CODE	DESCRIPTION	PART NO.	QTY	MODEL/DESCRIPTION	REMARKS
55 216A		SPRING, BOOT PANEL	8871-55-216	2	A/T	
55 240A		BULB & SOCKET	1840-55-240	1	A/T	
55 240J		BULB	0000-11-0194	1	(3.4W) A/T	
60 365B		REINFORCEMENT, CONSOLE	FA54-60-365	1		
64 230		WALL (R), SIDE	FA54-64-240	1		
		OFF-BLACK	09			
		RED	12			
		BROWN	79			
64 240A		WALL (L), SIDE	FA54-64-250	1		
		OFF-BLACK	09			
		RED	12			
		BROWN	79			
64 313		SPRING, CONSOLE LID	FA54-64-414	1		
64 331		BOOT, CHANGE	FA54-64-351C	1	M/T	
		RED	12			
		OFF-BLACK	63			
		BROWN	77			
64 331A		BOOT	FA01-64-494	1	M/T	
64 340		PLATE, UPPER	FA54-64-350C	1	M-T	
		SILVER M./RED	12			
		SILVER M./OFF-BLACK	63			
		SILVER M./BROWN	77			
64 340A		INDICATOR	FA55-64-350A	1	A/T	
		SILVER METALLIC	07			
64 345		PANEL, SWITCH	FA54-64-451	1	(USE W/ COIN BOX) (S, GS)	
		RED	11			
		OFF-BLACK	64			
		BROWN	79			
			FA55-64-451	1	(USE W/BALANCER) (GSL, GSL-SE)	
		RED	11			
		OFF-BLACK	64			
		BROWN	79			
64 350		BRACKET, FRONT	FA55-64-370	1		
64 370		BRACKET, REAR	8871-64-415	1		
64 410		CONSOLE, REAR	FA54-64-410	1	(W/O INNER TRIM) (S, GS)	
		RED	11			
		OFF-BLACK	64			
		BROWN	79			

5570A-2 CONSOLE



ITEM NO	D-CODE	DESCRIPTION	PART NO.	QTY	MODEL/DESCRIPTION	REMARKS
64 410	(CONT'D)		FAS5-64-410	1	(W/INNER TRIM) (GSL, GSL-SE)	
		RED	11			
		OFF-BLACK	64			
		BROWN	79			
64 430		BRACKET CTR. REAR	FAS4-64-430	1		
64 450		LID. CONSOLE	FAS4-64-420	1		
		RED	11			
		OFF-BLACK	64			
		BROWN	79			
64 481A		STOPPER. CONSOLE LID	FAS4-64-412	1		
64 482B		STOPPER. CONSOLE LID	FAS4-64-413	1		
64 492		INSULATOR	FA01-64-492	1	M/T	
66 620D		SWITCH. O/DRIVE CANCEL	FAS5-66-620B	1	A/T	
68 832		SHEET. BOOT	FA01-64-491	1	M/T	

5580A-1 VENTILATOR

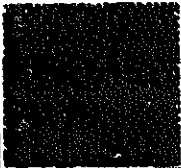



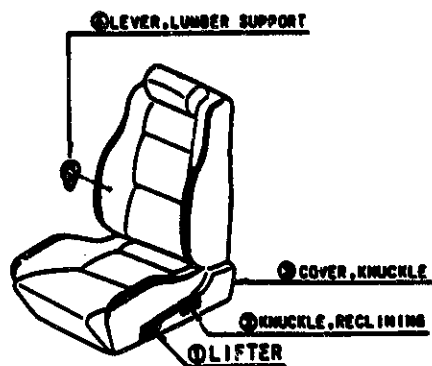
ITEM NO	D-CODE	DESCRIPTION	PART NO	QTY	MODEL/DESCRIPTION	REMARKS
15 303B		CLIP	2667-15-303A	1		
60 120		NOZZLE (R), DEFROSTER	FA54-60-121	1		
60 124		BRACKET, DEF NOZZLE	FA54-60-125	2		
60 140		NOZZLE (L), DEFROSTER	FA54-60-141	1		
60 181A		DUCT (R), SIDE DEMISTER	FA54-60-181	1		
60 182		DUCT (L), SIDE DEMISTER	FA54-60-191	1		
60 348A		BRACKET (R), DUCT	FA54-60-368	2		
60 369		BRACKET (L), DUCT	FA54-60-369	1		
61 251		HOSE, DEFROSTER	FA54-60-151	2		
64 710		VENTILATOR (R)	FA54-64-710	1		
		RED	11			
		OFF-BLACK	64			
		BROWN	79			
64 727		GASKET (L)	FA54-64-728A	1		
64 728A		GASKET (R)	FA54-64-727	1	FROM NOV '83 PROD	FB33* 800001-807207
			FA54-64-727A	1	FROM DEC '83 PROD	FB33* 807208
64 729		PLATE, GASKET	FA54-64-729	2		
64 750A		DUCT, CENTER	FA54-64-751A	1		
64 771B		DUCT NO 1 (L)	FA54-64-771	1		
64 772B		DUCT NO 2 (L)	FA54-64-772B	1		
64 772C		DUCT NO 2 (R)	FA54-64-762	1		
64 773A		DUCT NO 3 (R)	FA54-64-763	1		
64 773B		DUCT NO 3 (L)	FA54-64-773	1		
64 810		VENTILATOR (L)	FA54-64-720	1		
		RED	11			
		OFF-BLACK	64			
		BROWN	79			
64 815		LOUVER (R)	FA54-64-810	1		
		RED	11			
		OFF-BLACK	64			
		BROWN	79			
64 815G		LOUVER (L)	FA54-64-820	1		
		RED	11			
		OFF-BLACK	64			
		BROWN	79			
70 362		KNOB, VENTILATOR	FA54-64-715	2		
		RED	11			
		OFF-BLACK	64			
		BROWN	79			

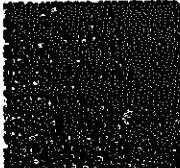
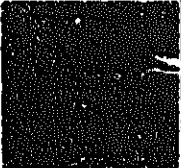




SECTION INDEX -- BODY

STARTING LOCATION	SECT. NO.	SECTION NAME	STARTING LOCATION	SECT. NO.	SECTION NAME	STARTING LOCATION	SECT. NO.	SECTION NAME
2 - C 3	0900A	KEY SETS	2 - C 7	5840A	FRONT DOOR TRIM & RELATED PARTS	2 - G 10	6702A	WIRE HARNESS (DASHBOARD)
2 - D 3	5000A	FRONT BUMPER	2 - H 7	6100A	HEATER	2 - H 10	6703A	WIRE HARNESS (DOOR, FLOOR CEILING)
2 - E 3	5005A	RADIATOR GRILLE	2 - I 7	6110A	HEATER UNIT COMPONENTS	2 - I 10	6704A	WIRE HARNESS CLAMPS
2 - F 3	5010A	REAR BUMPER	2 - J 7	6115A	HEATER CONTROLS COMPONENTS	2 - J 10	6720A	WINDSHIELD WASHER
2 - G 3	5030A	WINDOW MOULDINGS	2 - K 7	6120A	HEATER BLOWER COMPONENTS	2 - K 10	6730A	WINDSHIELD WIPER
2 - H 3	5040A	BODY MOULDINGS	2 - L 7	6125B	AIR CONDITIONER	2 - L 10	6740A	WIPER MOTOR COMPONENTS (FRONT)
2 - I 3	5060A	SIDE PROTECTORS	2 - M 7	6130B	AIR CONDITIONER (NIPPONDENSO)	2 - M 10	6750A	WINDOW WIPER & WASHER (REAR) (GSL, GSL-SE)
2 - J 3	5100A	HEAD LAMPS	2 - C 8	6132B	AIR CONDITIONER (WYNN'S)	2 - N 10	6760A	WINDOW WIPER MOTOR COMPONENTS (REAR) (GSL, GSL-SE)
2 - K 3	5103A	HEAD LAMP RETRACTOR	2 - D 8	6140B	A - C COMPRESSOR BRACKETS (NIPPONDENSO)	2 - C 11	6800A	CEILING TRIM
2 - L 3	5105A	FRONT COMBINATION LAMPS	2 - F 8	6142B	A - C COMPRESSOR COMPONENTS (WYNN'S)	2 - D 11	6820A	PILLAR TRIM
2 - M 3	5110A	REAR COMBINATION LAMPS	2 - H 8	6145B	A - C COMPRESSOR COMPONENTS (NIPPONDENSO)	2 - F 11	6840A	TRIM & SCUFF PLATE
2 - N 3	5120A	LICENSE LAMPS	2 - J 8	6150B	COOLING UNIT (NIPPONDENSO)	2 - I 11	6860A	FLOOR MATS & PADS
2 - C 4	5125A	INTERIOR LAMPS	2 - L 8	6152B	COOLING UNIT (WYNN'S)	2 - J 11	6870A	SERVICE TOOLS
2 - D 4	5170A	ORNAMENTS	2 - M 8	6230A	BACK DOOR MECHANISM	2 - K 11	6900A	VISOR, ASSIST HANDLE & MIRRORS
2 - E 4	5180A	COWL & EXTRACTOR GRILLES	2 - N 8	6300A	WINDOW GLASSES	2 - N 11	6930A	CAUTION PLATES & LABEL
2 - F 4	5230A	HOOD	2 - C 9	6330A	SUNROOF (GSL, GSL-SE)			
2 - G 4	5310A	BODY PANELS (FRONT)	2 - D 9	6600A	SWITCH & RELAY (ENGINE)			
2 - H 4	5320A	BODY PANELS (FENDER & WHEEL APRON)	2 - F 9	6610A	DASHBOARD SWITCHES (MANUAL OPERATING)			
2 - I 4	5330A	BODY PANELS (DASH & COWL PANEL)	2 - G 9	6611A	COMBINATION SWITCH			
2 - J 4	5340A	BODY PANELS (SIDE)	2 - H 9	6612A	CLUSTER SWITCH (RIGHT SIDE)			
2 - K 4	5360A	BODY PANELS (ROOF)	2 - I 9	6613A	CLUSTER SWITCH (LEFT SIDE)			
2 - L 4	5370A	BODY PANELS (FLOOR)	2 - J 9	6615A	POWER WINDOW SWITCH			
2 - M 4	5390A	FLOOR ATTACHMENTS	2 - K 9	6620A	DOOR, PARKING LAMP & KICKDOWN SWITCHES			
2 - C 5	5500A	DASHBOARD EQUIPMENT	2 - L 9	6630A	RELAY & CPU (BODY)			
2 - F 5	5520A	METER HOOD	2 - M 9	6635A	HORN			
2 - G 5	5530A	SPEEDOMETER CABLE	2 - N 9	6640A	AUTO CRUISE CONTROLS			
2 - H 5	5540A	METERS	2 - C 10	6680A	AUDIO SYSTEMS (RADIO & TAPE DECK)			
2 - I 5	5550A	CLUSTER SWITCH COVER	2 - D 10	6682A	AUDIO SYSTEMS (ANTENNA & SPEAKER)			
2 - J 5	5560A	DASHBOARD & RELATED	2 - E 10	6700A	WIRE HARNESS (FRONT & REAR)			
2 - L 5	5570A	CONSOLE	2 - F 10	6701A	WIRE HARNESS (ENGINE & TRANSMISSION)			
2 - N 5	5580A	VENTILATOR						
2 - C 6	5700A	FRONT SEAT						
2 - H 6	5790A	SEAT BELTS						
2 - I 6	5800A	FRONT DOOR						
2 - J 6	5830A	FRONT DOOR MECHANISMS						

5700A-1 FRONT SEAT

SPECIFICATIONS		
TRIM	MATERIALS	
	PATTERN	
① LIFTER		-
② KNUCKLE, RECLINING		X
③ COVER, KNUCKLE		X
④ LEVER, LUMBER SUPPORT		X
SEAT TYPE		B (S,GS)



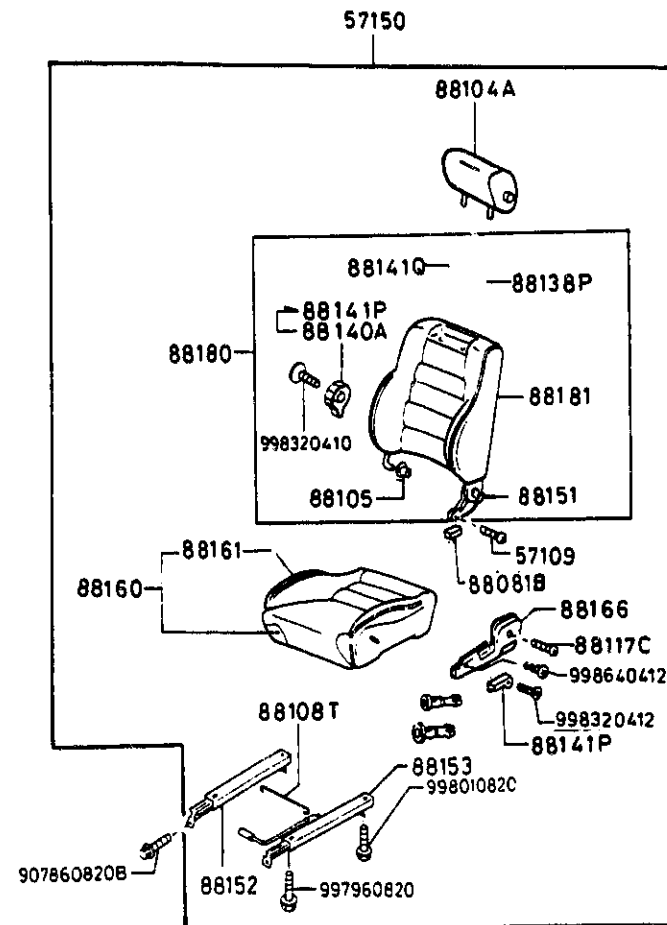
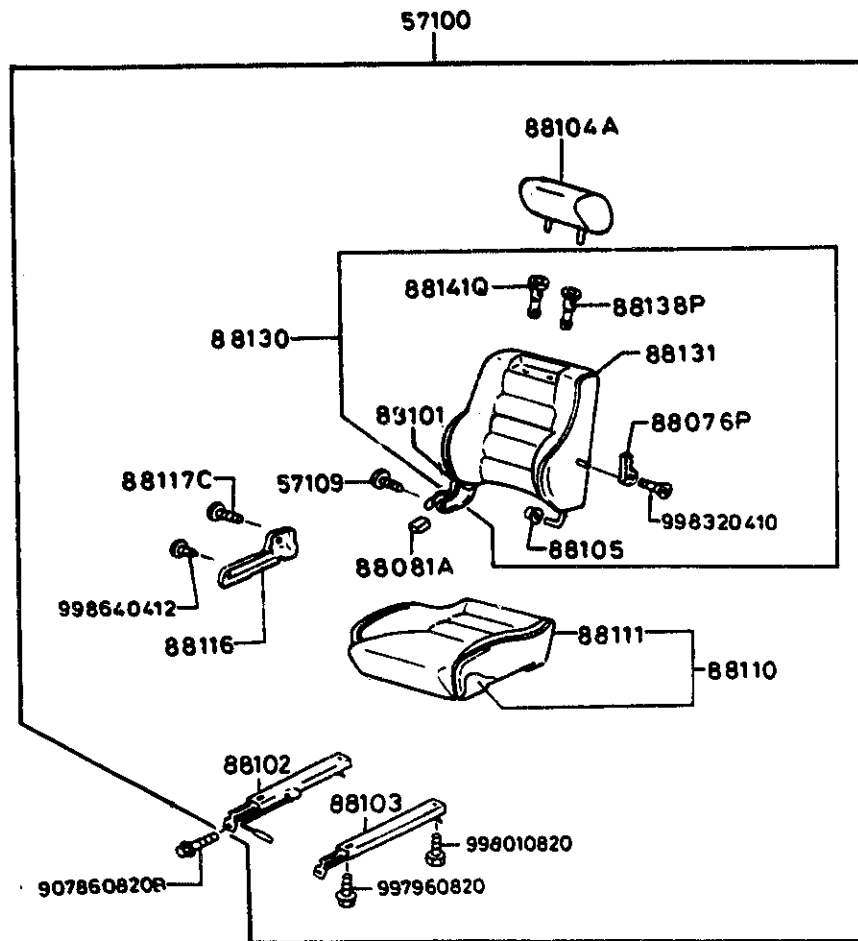
CLOTH	CLOTH	LEATHER
		
		
X	X	X
X	X	X
X	X	X
X	X	X
C	D	F

• PLEASE REFERENCE MAZDA INTERIOR TRIM GUIDE, P/N 9989-04-TRIM FOR SEAT & TRIM INFO.

• ALSO SEE PARTS BULLETINS FOR TRIM INFO.

MMAC D-3-R7 S D-4-R7
MMAE 11/28 & 11/44

5700A-2 FRONT SEAT



NOT PICTURED:
LUMBAR SUPPORT DIAL
FA58-88-3920
- 10 RED
- 65 OFF BLACK
- 77 BROWN

NOT PICTURED:
LUMBAR SUPPORT DIAL COVER
M003-88-7430
- 10 RED
- 65 OFF BLACK
- 77 BROWN

5700A-3 FRONT SEAT

GRADE LEVEL			S. GS	GSL	GSL-SE	GSL, GSL-SE
SEAT TYPE			B	C	D	F
SEAT MATERIAL			CLOTH	CLOTH	CLOTH	LEATHER
D-CODE	PART NAME	QTY	PART NUMBER	PART NUMBER	PART NUMBER	PART NUMBER
57 100	SEAT (R), FRONT	1	FA57-57-100	FA58-57-100	FA59-57-100	FA80-57-100
	RED		10	10	10	10
	OFF-BLACK		65	65	65	---
	BROWN		77	77	77	77
57 109	SCREW, KNUCKLE	8	2155-57-109	2155-57-109	2155-57-109	2155-57-109
57 150	SEAT (L), FRONT	1	FA57-57-150A	FA58-57-150A	FA59-57-150A	FA80-57-150
	RED		10	10	10	10
	OFF-BLACK		65	65	65	---
	BROWN		77	77	77	77
88 076P	LEVER, LIFTER	1	H003-88-076	H003-88-076	H003-88-076	H003-88-076
	RED		10	10	10	10
	OFF-BLACK		65	65	65	---
	BROWN		77	77	77	77
88 081A	KNOB (R), KNUCKLE	1	B001-88-081	B001-88-081	B001-88-081	B001-88-081
	RED		10	10	10	10
	OFF-BLACK		65	65	65	---
	BROWN		77	77	77	77
88 081B	KNOB (L), KNUCKLE	1	B001-88-091	B001-88-091	B001-88-091	B001-88-091
	RED		10	10	10	10
	OFF-BLACK		65	65	65	---
	BROWN		77	77	77	77
88 101	KNUCKLE (R), RECLINING	1	FA58-88-101	FA58-88-101	FA58-88-101	FA58-88-101
88 102	ADJUSTER NO. 1	1	8183-88-102	8183-88-102	8183-88-102	8183-88-102
88 103	ADJUSTER NO. 2	1	F005-88-103	F005-88-103	F005-88-103	F005-88-103
88 104A	RESTRAINT, HEAD	2	FA57-88-104	FA58-88-104	FA59-88-104	FA80-88-104
	RED		10	10	10	10
	OFF-BLACK		65	65	65	---
	BROWN		77	77	77	77
88 105	BUSHING	2	B001-88-123	B001-88-123	B001-88-123	B001-88-123
88 108T	WIRE, RELEASE	1	H115-88-108	H115-88-108	H115-88-108	H115-88-108

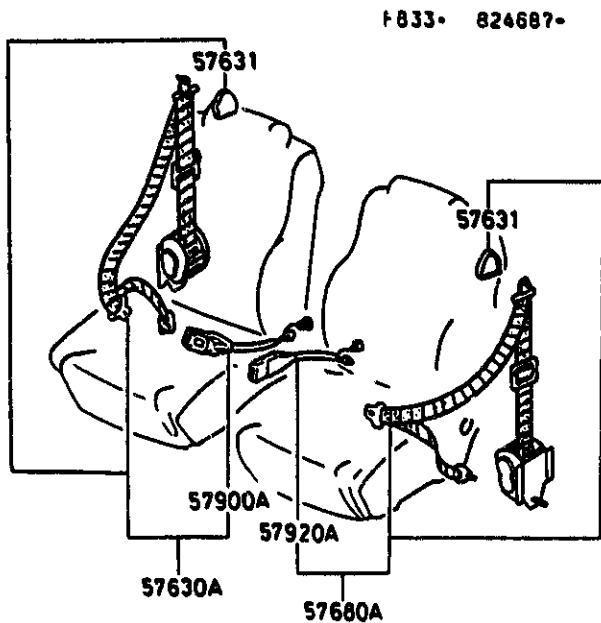
5700A-4 FRONT SEAT

GRADE LEVEL			S, GS	GSL	GSL-SE	GSL, GSL-SE
SEAT TYPE			B	C	D	F
SEAT MATERIAL			CLOTH	CLOTH	CLOTH	LEATHER
D-CODE	PART NAME	QTY	PART NUMBER	PART NUMBER	PART NUMBER	PART NUMBER
88 110	CUSHION (R), FRONT SEAT	1	FA57-88-110	FA58-88-110	FA59-88-110	FA80-88-110
	RED		10	10	10	10
	OFF-BLACK		65	65	65	---
	BROWN		77	77	77	77
88 111	TRIM (R), SEAT CUSHION	1	FA57-88-111	FA58-88-111	FA59-88-111	FA80-88-111
	RED		10	10	10	10
	OFF-BLACK		65	65	65	---
	BROWN		77	77	77	77
88 116	COVER (R), KNUCKLE	1	F034-88-127	F034-88-127	F034-88-127	F034-88-127
	RED		10	10	10	10
	OFF-BLACK		65	65	65	---
	BROWN		77	77	77	77
88 117C	SCREW, KNUCKLE COVER	1	1243-88-117	1243-88-117	1243-88-117	1243-88-117
88 130	BACK (R), FRONT SEAT	1	FA57-88-130	FA58-88-130	FA59-88-130	FA80-88-130
	RED		10	10	10	10
	OFF-BLACK		65	65	65	---
	BROWN		77	77	77	77
88 131	TRIM (R), SEAT BACK	1	FA57-88-131	FA58-88-131	FA59-88-131	FA80-88-131
	RED		10	10	10	10
	OFF-BLACK		65	65	65	---
	BROWN		77	77	77	77
88 138P	GUIDE NO. 2, POLE	2	H001-88-138	H001-88-138	H001-88-138	H001-88-138
	RED		10	10	10	10
	OFF-BLACK		65	65	65	---
	BROWN		77	77	77	77
88 140A	KNOB, LUMBAR SUPPORT	1	FA58-88-392	FA58-88-392	FA58-88-392	FA58-88-392
	RED		10	10	10	10
	OFF-BLACK		65	65	65	---
	BROWN		77	77	77	77

5700A-5 FRONT SEAT

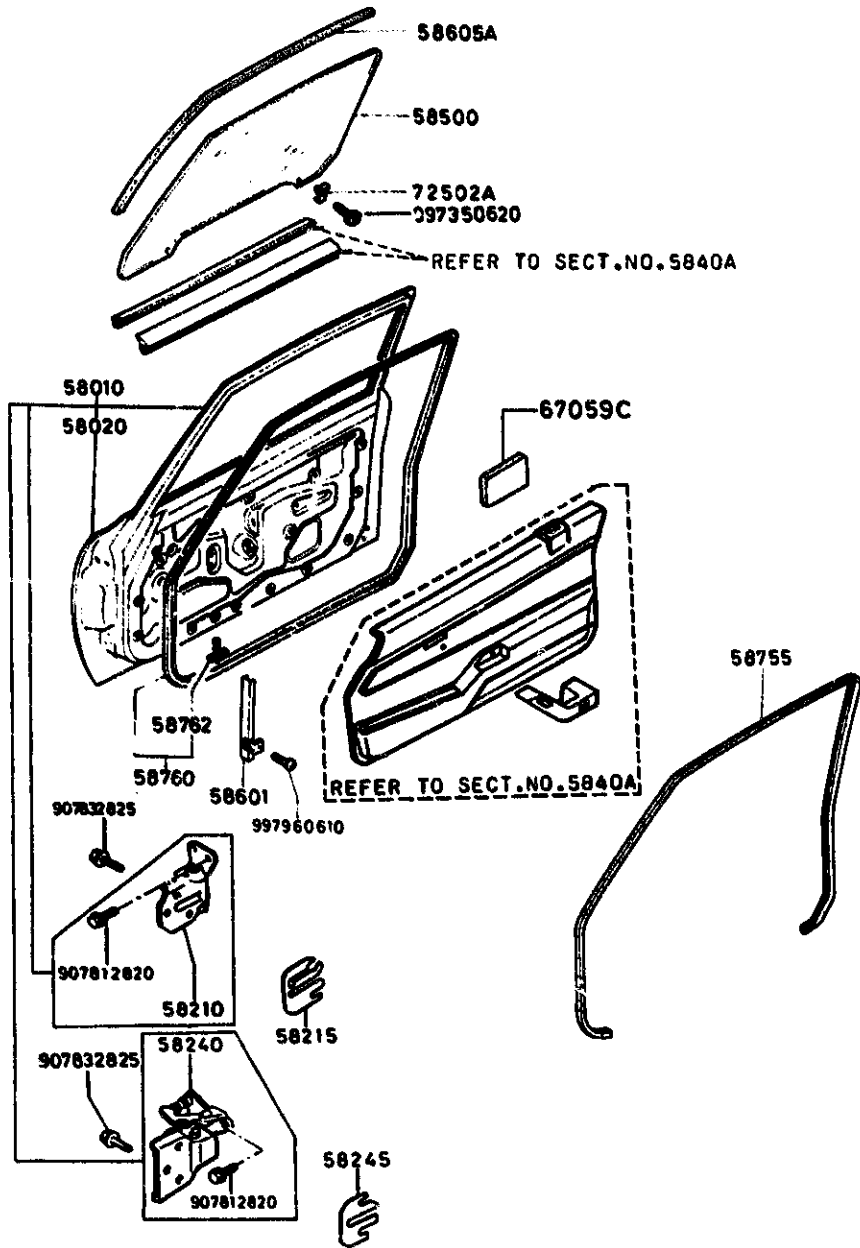
GRADE LEVEL			S, GS	GSL	GSL-SE	GSL, GSL-SE
SEAT TYPE			B	C	D	F
SEAT MATERIAL			CLOTH	CLOTH	CLOTH	LEATHER
D-CODE	PART NAME	QTY	PART NUMBER	PART NUMBER	PART NUMBER	PART NUMBER
88-141P	LEVER, LIFTER	1	---	FA58-88-831	FA58-88-831	FA58-88-831
	RED		---	10	10	10
	OFF-BLACK		---	65	65	---
	BROWN		---	77	77	77
88 141Q	GUIDE NO. 1, POLE	1	HA20-88-141	HA20-88-141	HA20-88-141	HA20-88-141
	RED		10	10	10	10
	OFF-BLACK		65	65	65	---
	BROWN		77	77	77	77
88 151	KNUCKLE (L), RECLINING	1	B042-88-151	B042-88-151	B042-88-151	B042-88-151
88 152	ADJUSTER NO. 3	1	FA58-88-152	FA58-88-152	FA58-88-152	FA58-88-152
88 153	ADJUSTER NO. 4	1	FA58-88-153	FA58-88-153	FA58-88-153	FA58-88-153
88 160	CUSHION (L), FRONT SEAT	1	FA57-88-160	FA58-88-160	FA59-88-160	FA80-88-160
	RED		10	10	10	10
	OFF-BLACK		65	65	65	---
	BROWN		77	77	77	77
88 161	TRIM (L), SEAT CUSHION	1	FA57-88-161	FA58-88-161	FA59-88-161	FA80-88-161
	RED		10	10	10	10
	OFF-BLACK		65	65	65	---
	BROWN		77	77	77	77
88 166	COVER (L), KNUCKLE	1	F034-88-177	FA58-88-177	FA58-88-177	FA58-88-177
	RED		10	10	10	10
	OFF-BLACK		65	65	65	---
	BROWN		77	77	77	77
88 180	BACK (L), FRONT SEAT	1	FA57-88-180	FA58-88-180	FA59-88-180	FA80-88-180
	RED		10	10	10	10
	OFF-BLACK		65	65	65	---
	BROWN		77	77	77	77
88 181	TRIM (L), SEAT BACK	1	FA57-88-181	FA58-88-181	FA59-88-181	FA80-88-181
	RED		10	10	10	10
	OFF-BLACK		65	65	65	---
	BROWN		77	77	77	77

5790A-1 SEAT BELTS



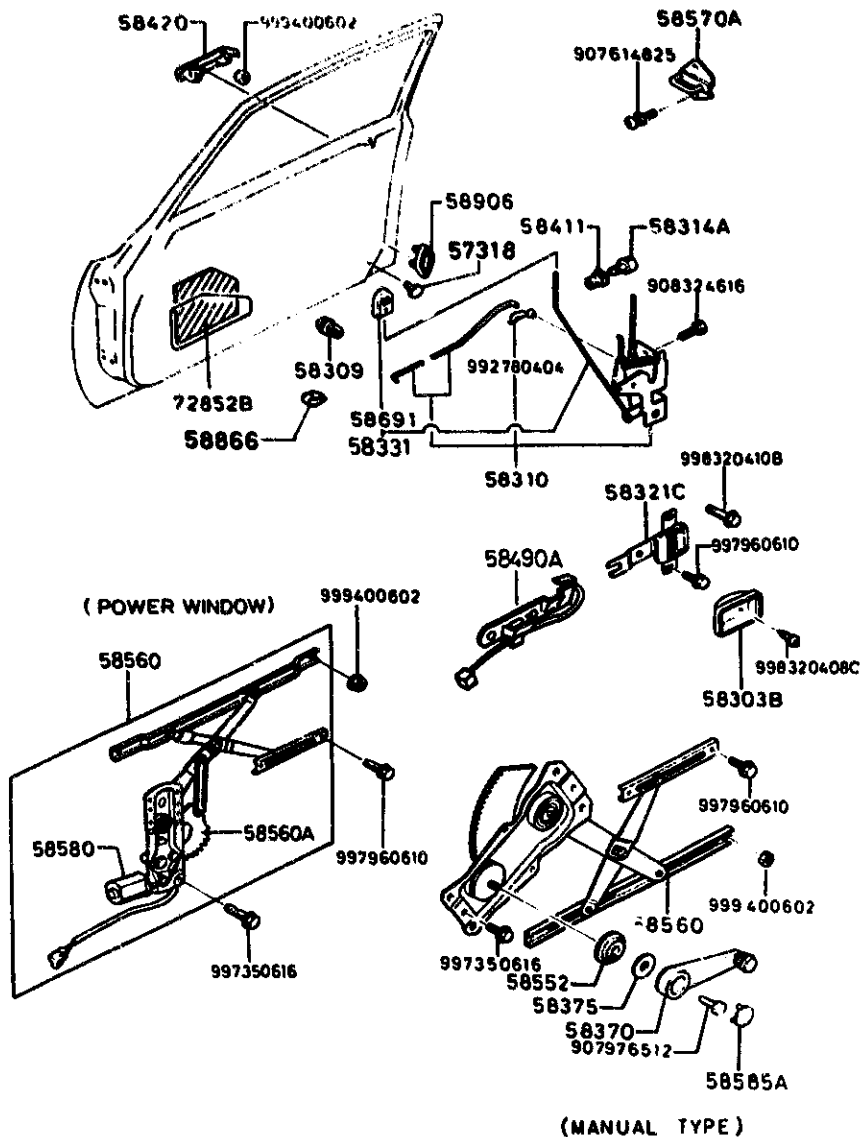
ITEM NO.	D-CODE	DESCRIPTION	PART NO.	QTY	MODEL/DESCRIPTION	REMARKS
57 630A		BELT 'B' (R), FRT. SEAT	FA55-57-630A	1	(REG. LENGTH)	
		DARK GRAY	07			
		WINE/RED	12			
		BROWN	84			
		FA77-57-630	1	(EXT. LENGTH)		
		DARK GRAY	07			
57 631		COVER, SASH GUIDE	G070-57-631	2		
		RED	12			
		OFF-BLACK	65			
57 680A		BELT 'B' (L), FRT. SEAT	FA55-57-690	1	(REG. LENGTH)	
		DARK GRAY	07			
		RED	12			
		BROWN	84			
		FA77-57-690	1	(EXT. LENGTH)		
		DARK GRAY	07			
57 900A		BELT 'A' (R), FRT. SEAT	FA55-57-620A	1		
		RED	12			
		OFF-BLACK	65			
57 920A		BELT 'A' (L), FRT. SEAT	FA55-57-680A	1		
		RED	12			
		OFF-BLACK	65			
		CHILD RESISTANT SEAT CLIP	FA55-57-999	1		
		SEE SERV. BULL. 001/84 CAT. 20 FOR MORE SEAT CLIP INFO.				
		REFER TO PARTS BULL. NO. T-3-3 FOR SEAT BELT INFO.				

5800A-1 FRONT DOOR



ITEM NO.	D-CODE	DESCRIPTION	PART NO.	QTY	MODEL/DESCRIPTION	REMARKS
58 010		BODY (R), FRONT DOOR	FA54-58-010H	1		
		BODY (L), FRONT DOOR	FA54-59-010H	1		
58 020		PANEL (R), OUT.-FRONT DOOR	8981-58-020E	1		
		PANEL (L), OUT.-FRONT DOOR	8871-59-020E	1		
58 210		HINGE (R), DOOR-UPPER	8871-58-210	1		
		HINGE (L), DOOR-UPPER	8871-59-210	1		
58 215		SPACER, HINGE-UPPER	1011-58-231	2		
58 240		HINGE (R), DOOR-LOWER	8032-58-240	1		
		HINGE (L), DOOR-LOWER	8531-59-240A	1		
58 245		SPACER, HINGE-LOWER	8531-58-231A	2		
58 500		GLASS (R), DOOR-FRT.	8871-58-501E	1		
			FA66-58-501	1	13B (GSL SE) FROM APR. '85 PROD.	FB33* ..893766-
		GLASS (L), DOOR-FRT.	8871-59-501E	1		
			FA66-59-501	1	13B (GSL SE) FROM APR. '85 PROD.	FB33* ..893766-
58 601		GUIDE 'A' (R), GLASS	8871-58-603	1		
		GUIDE 'A' (L), GLASS	8871-59-603	1		
58 605A		CHANNEL, GLASS	8871-58-605C	2		
58 755		WELT, SEAMING	FA02-68-911	2		
		RED	12			
		OFF-BLACK	65			
		BROWN	78			
58 760		WEATHERSTRIP (R), DOOR	8871-58-760	1		
		WEATHERSTRIP (L), DOOR	8871-59-760	1		
58 762		FASTENER	G030-58-762	42		
67 059C		PAD, PROTECTOR	G001-67-059	1		
72 502A		GROMMET, SCREW	8544-72-502	4		

5830A-2 FRONT DOOR MECHANISMS



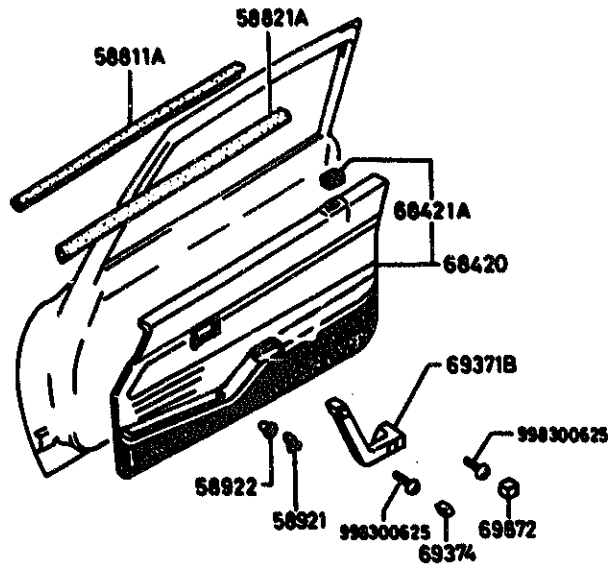
ITEM NO.	D-CODE	DESCRIPTION	PART NO.	QTY	MODEL/DESCRIPTION	REMARKS
58 580		MOTOR (R, WINDOW)	G019-59-580	1	(FOR POWER WINDOW) (GSI, GSI-5E)	
		MOTOR (L, WINDOW)	G019-58-580	1	(FOR POWER WINDOW) (GSI, GSI-5E)	
58 585A		CAP, REGULATOR HANDLE	8037-58-585	2	(FOR MANUAL TYPE) (S, GS)	
		RED	12			
		OFF-BLACK	65			
		BROWN	78			
58 691		KNOB, DOOR LOCK	G030-58-316A	2		
		RED	10			
		OFF-BLACK	65			
		BROWN	78			
58 866		CLIP	8036-58-866	2		
58 906		CUSHION, DOOR	0259-58-906	2		
72 852B		INSULATION	0305-72-852A	2		

SECTION INDEX -- BODY

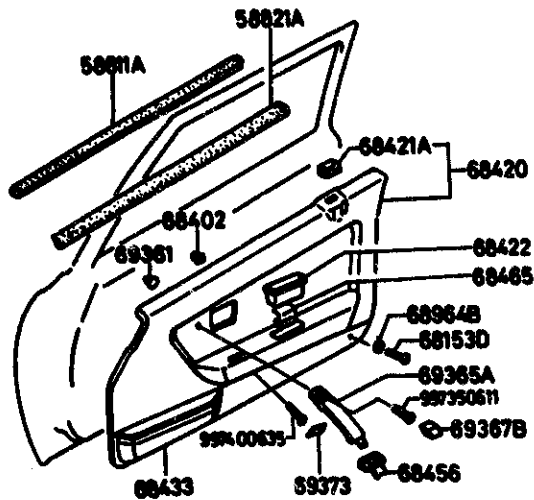
STARTING LOCATION	SECT. NO.	SECTION NAME	STARTING LOCATION	SECT. NO.	SECTION NAME	STARTING LOCATION	SECT. NO.	SECTION NAME
2 - C 3	0900A	KEY SETS	2 - H 7	6100A	HEATER	2 - G10	6702A	WIRE HARNESS (DASHBOARD)
2 - D 3	5000A	FRONT BUMPER	2 - I 7	6110A	HEATER UNIT COMPONENTS	2 - H10	6703A	WIRE HARNESS (DOOR, FLOOR CEILING)
2 - E 3	5005A	RADIATOR GRILLE	2 - J 7	6115A	HEATER CONTROLS COMPONENTS	2 - I10	6704A	WIRE HARNESS CLAMPS
2 - F 3	5010A	REAR BUMPER	2 - K 7	6120A	HEATER BLOWER COMPONENTS	2 - J10	6720A	WINDSHIELD WASHER
2 - G 3	5030A	WINDOW MOULDINGS	2 - L 7	6125B	AIR CONDITIONER	2 - K10	6730A	WINDSHIELD WIPER
2 - H 3	5040A	BODY MOULDINGS	2 - M 7	6130B	AIR CONDITIONER (NIPPONDENSO)	2 - L10	6740A	WIPER MOTOR COMPONENTS (FRONT)
2 - I 3	5060A	SIDE PROTECTORS				2 - M10	6750A	WINDOW WIPER & WASHER (REAR) (GSL, GSL-SE)
2 - J 3	5100A	HEAD LAMPS	2 - C 8	6132B	AIR CONDITIONER (WYNN'S)	2 - N10	6760A	WINDOW WIPER MOTOR COMPONENTS (REAR) (GSL, GSL-SE)
2 - K 3	5103A	HEAD LAMP RETRACTOR	2 - D 8	6140B	A. C COMPRESSOR BRACKETS (NIPPONDENSO)	2 - C11	6800A	CEILING TRIM
2 - L 3	5105A	FRONT COMBINATION LAMPS	2 - F 8	6142B	A. C COMPRESSOR COMPONENTS (WYNN'S)	2 - D11	6820A	PILLAR TRIM
2 - M 3	5110A	REAR COMBINATION LAMPS	2 - H 8	6145B	A. C COMPRESSOR COMPONENTS (NIPPONDENSO)	2 - F11	6840A	TRIM & SCUFF PLATE
2 - N 3	5120A	LICENSE LAMPS	2 - J 8	6150B	COOLING UNIT (NIPPONDENSO)	2 - I11	6860A	FLOOR MATS & PADS
2 - C 4	5125A	INTERIOR LAMPS	2 - L 8	6152B	COOLING UNIT (WYNN'S)	2 - J11	6870A	SERVICE TOOLS
2 - D 4	5170A	ORNAMENTS	2 - M 8	6230A	BACK DOOR MECHANISM	2 - K11	6900A	VISOR, ASSIST HANDLE & MIRRORS
2 - E 4	5180A	COWL & EXTRACTOR GRILLES	2 - N 8	6300A	WINDOW GLASSES	2 - N11	6930A	CAUTION PLATES & LABEL
2 - F 4	5230A	HOOD	2 - C 9	6330A	SUNROOF (GSL, GSL-SE)			
2 - G 4	5310A	BODY PANELS (FRONT)	2 - D 9	6600A	SWITCH & RELAY (ENGINE)			
2 - H 4	5320A	BODY PANELS (FENDER & WHEEL APRON)	2 - F 9	6610A	DASHBOARD SWITCHES (MANUAL OPERATING)			
2 - I 4	5330A	BODY PANELS (DASH & COWL PANEL)	2 - G 9	6611A	COMBINATION SWITCH			
2 - J 4	5340A	BODY PANELS (SIDE)	2 - H 9	6612A	CLUSTER SWITCH (RIGHT SIDE)			
2 - K 4	5360A	BODY PANELS (ROOF)	2 - I 9	6613A	CLUSTER SWITCH (LEFT SIDE)			
2 - L 4	5370A	BODY PANELS (FLOOR)	2 - J 9	6615A	POWER WINDOW SWITCH			
2 - M 4	5390A	FLOOR ATTACHMENTS	2 - K 9	6620A	DOOR, PARKING LAMP & KICKDOWN SWITCHES			
2 - C 5	5500A	DASHBOARD EQUIPMENT	2 - L 9	6630A	RELAY & CPU (BODY)			
2 - F 5	5520A	METER HOOD	2 - M 9	6635A	HORN			
2 - G 5	5530A	SPEEDOMETER CABLE	2 - N 9	6640A	AUTO CRUISE CONTROLS			
2 - H 5	5540A	METERS	2 - C10	6680A	AUDIO SYSTEMS (RADIO & TAPE DECK)			
2 - I 5	5550A	CLUSTER SWITCH COVER	2 - D10	6682A	AUDIO SYSTEMS (ANTENNA & SPEAKER)			
2 - J 5	5560A	DASHBOARD & RELATED	2 - E10	6700A	WIRE HARNESS (FRONT & REAR)			
2 - L 5	5570A	CONSOLE	2 - F10	6701A	WIRE HARNESS (ENGINE & TRANSMISSION)			
2 - N 5	5580A	VENTILATOR						
2 - C 6	5700A	FRONT SEAT						
2 - H 6	5790A	SEAT BELTS						
2 - I 6	5800A	FRONT DOOR						
2 - J 6	5830A	FRONT DOOR MECHANISMS						
2 - C 7	5840A	FRONT DOOR TRIM & RELATED PARTS						

5840A-1 FRONT DOOR TRIM & RELATED PARTS

(TYPE "A")
(TYPE "B")



(TYPE "D")
(TYPE "E")
(TYPE "F")



5840A FRONT DOOR TRIM & RELATED PARTS (2/2)

TYPE	FRONT WINDOW		MATERIAL	MODEL	
	WITH	W/O			
A (FAS4)		X	Cloth Patterned in Center of Panel	8 & 88	
B (FAS8)		X	Cloth Vinyl Door Panel W Solid Velour Bottom Kdash Panel. Top & Center of Panel is Vinyl	8	
D (FAS7)	X		Leather Center Panel	GGL & GGL-82	
E (FAS9)	X		Cloth Striped Velour Center Panel	GGL	
F (FAS1)	X		Cloth Solid Velour Center Panel	GGL-82	

MMAC
TERRITORY

5840A-2 FRONT DOOR TRIM & RELATED PARTS

SEE ILLUSTRATION/S AT FRAME 2 - C 7

ITEM NO.	D-CODE	DESCRIPTION	PART NO.	QTY	MODEL/DESCRIPTION	REMARKS
58 811A		WEATHERSTRIP, OUTER	8871-58-781	2		
58 821A		WEATHERSTRIP, INNER	8871-58-791	2		
58 921		FASTENER	FA02-68-401	24	(W/O POWER WINDOW) (S, GS)	
				22	(W/ POWER WINDOW) (GSL, GSL-SE)	
58 922		CAP. FASTENER	0187-58-922	24	(W/O POWER WINDOW) (S, GS)	
				22	(W/ POWER WINDOW) (GSL, GSL-SE)	
68 153D		SCREW, TAPPING	FA56-68-025B	2	(W/O POWER WINDOW) (S, GS)	
				4	(W/ POWER WINDOW) (GSL, GSL-SE)	
		RED	11			
		OFF-BLACK	65			
		BROWN	78			
68 402		GROMMET, SCREW	FA54-68-402	4		
68 420		TRIM (R), DOOR	FA54-68-420B	1	(TYPE 'A') (S, GS) CLOTH	
		RED	10			
		OFF-BLACK	65			
		BROWN	79			
			FA56-68-420E	1	(TYPE 'E') (GSL) STRIPED VELOUR	
		RED	11			
		OFF-BLACK	65			
		BROWN	78			
			FA57-68-420E	1	(TYPE 'D') (GSL, GSL-SE) LEATHER	
		RED	11			
		BROWN	78			
			FA58-68-420E	1	(TYPE 'F') (GSL-SE) SOLID VELOUR	
		RED	11			
		OFF-BLACK	65			
		BROWN	78			
			FA66-68-420B	1	(TYPE 'B') (S) CLOTH/VINYL	WESTERN REGIONS
		RED	10			
		OFF-BLACK	65			
		BROWN	79			
		TRIM (L), DOOR	FA54-68-450B	1	(TYPE 'A') (S, GS) CLOTH	
		RED	10			
		OFF-BLACK	65			

5840A-3

FRONT DOOR TRIM &
RELATED PARTS

ITEM NO.	D-CODE	DESCRIPTION	PART NO.	QTY	MODEL/DESCRIPTION	REMARKS		
SEE ILLUSTRATION/S AT FRAME 2 - C 7	68 420 (CONT'D)	BROWN	79					
			FA56-68-450E	1	(TYPE 'E') (GSL) STRIPED VELOUR			
		RED	11					
		OFF-BLACK	65					
		BROWN	78					
			FA57-68-450E	1	(TYPE 'D') (GSL, GSL-SE) LEATHER			
		RED	11					
		BROWN	78					
			FA58-68-450E	1	(TYPE 'F') (GSL-SE) SOLID VELOUR			
		RED	11					
		OFF-BLACK	65					
		BROWN	78					
			FA66-68-450B	1	(TYPE 'B') (S) CLOTH-VINYL		WESTERN REGIONS	
		RED	10					
		OFF-BLACK	65					
		BROWN	79					
			68 421A	VESSEL, INNER LOCK	FA56-68-421	2	(W/ POWER WINDOW) (GSL, GSL-SE)	
		RED	11					
		OFF-BLACK	65					
		BROWN	78					
	68 422	HANDLE (R), PULL	B006-68-422	1	(W/ POWER WINDOW) (GSL, GSL-SE)			
RED	11							
OFF-BLACK	65							
BROWN	78							
		HANDLE (L), PULL	B006-68-452	1	(W/ POWER WINDOW) (GSL, GSL-SE)			
RED	11							
OFF-BLACK	65							
BROWN	78							
	68 432	POCKET (R), DOOR TRIM	FA56-68-480	1	(W/ POWER WINDOW) (GSL, GSL-SE)			
RED	11							
OFF-BLACK	65							
BROWN	78							
		POCKET (L), DOOR TRIM	FA56-68-490	1	(W/ POWER WINDOW) (GSL, GSL-SE)			
RED	11							

5840A-4 FRONT DOOR TRIM & RELATED PARTS

SEE ILLUSTRATION/S AT FRAME 2 - C 7

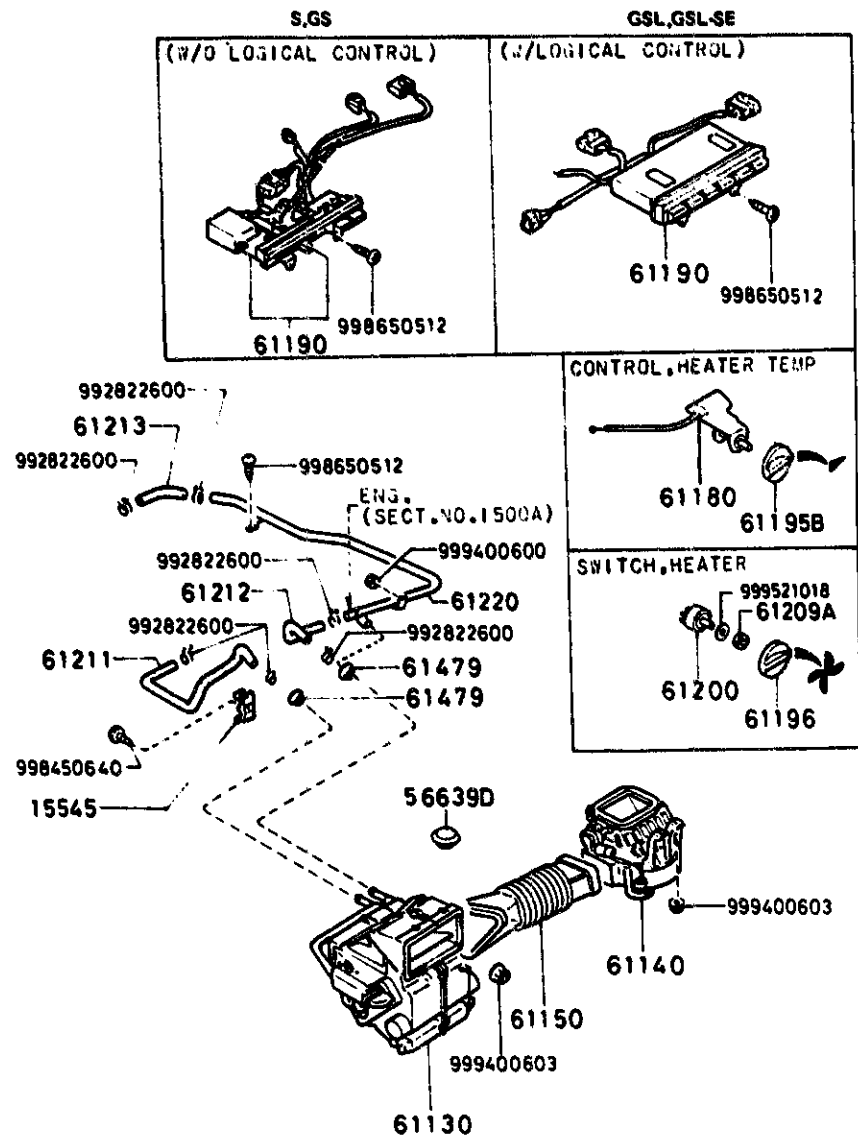
ITEM NO.	D-CODE	DESCRIPTION	PART NO.	QTY	MODEL/DESCRIPTION	REMARKS
68 433 (CONT'D)		OFF-BLACK	65			
		BROWN	78			
	68 456		VESSEL (R), ASSIST	FA56-68-426	1	(W/ POWER WINDOW) (GSL, GSL-SE)
		RED	11			
		OFF-BLACK	65			
		BROWN	78			
		VESSEL (L), ASSIST GRIP	FA56-68-456	1	(W/ POWER WINDOW) (GSL, GSL-SE)	
		RED	11			
68 465		BRACKET (R), PULL HANDLE	FA56-68-425A	1	(W/ POWER WINDOW) (GSL, GSL-SE)	
		BRACKET (L), PULL HANDLE	FA56-68-465	1	(W/ POWER WINDOW) (GSL, GSL-SE)	
	68 964B		WASHER	G030-68-964C	2	(W/ POWER WINDOW) (GSL, GSL-SE)
		RED	11			
		OFF-BLACK	65			
		BROWN	78			
69 361		GROMMET, SCREW	H001-69-361	2		
69 365A		GRIP (R), ASSIST	FA56-69-365A	1	(W/ POWER WINDOW) (GSL, GSL-SE)	
		RED	11			
		OFF-BLACK	65			
		BROWN	78			
		GRIP (L), ASSIST	FA56-69-385A	1	(W/ POWER WINDOW) (GSL, GSL-SE)	
		RED	11			
69 367B		CAP (R), ASSIST GRIP	FA56-69-367A	1	(W/ POWER WINDOW) (GSL, GSL-SE)	
		RED	12			
		OFF-BLACK	65			
		BROWN	78			
		CAP (L), ASSIST GRIP	FA56-69-387A	1	(W/ POWER WINDOW) (GSL, GSL-SE)	
		RED	12			
69 371B		OFF-BLACK	65			
		BROWN	78			
		HANDLE (R), PULL	FA01-69-371A	1	(W/O POWER WINDOW) (S, GS)	

5840A-5 FRONT DOOR TRIM & RELATED PARTS

ITEM NO.	D-CODE	DESCRIPTION	PART NO.	QTY	MODEL/DESCRIPTION	REMARKS
69 371B (CONT'D)		RED	12			
		OFF-BLACK	65			
		BROWN	78			
69 373		HANDLE (L), PULL	FA01-69-391A	1	(W/O POWER WINDOW) (S, GS)	
		RED	12			
		OFF-BLACK	65			
69 374		BROWN	78			
		CAP, ARM REST	FA56-69-366C	1	(W/O POWER WINDOW)(S, GS)	
		RED	12			
69 374		OFF-BLACK	65			
		BROWN	78			
		CAP (R), PULL HANDLE	FA01-69-372	1	(W/O POWER WINDOW) (S, GS)	
69 374		RED	12			
		OFF-BLACK	65			
		BROWN	78			
69 374		CAP (L), PULL HANDLE	FA01-69-392	1	(W/O POWER WINDOW) (S, GS)	
		RED	12			
		OFF-BLACK	65			
69 374		BROWN	78			
		CAP, PULL HANDLE	FA01-69-374	4	(W/ POWER WINDOW) (GSI, GSI-SE)	
		RED	12			
69 374		OFF-BLACK	65			
		BROWN	78			

SEE ILLUSTRATION/S AT FRAME 2 - C 7

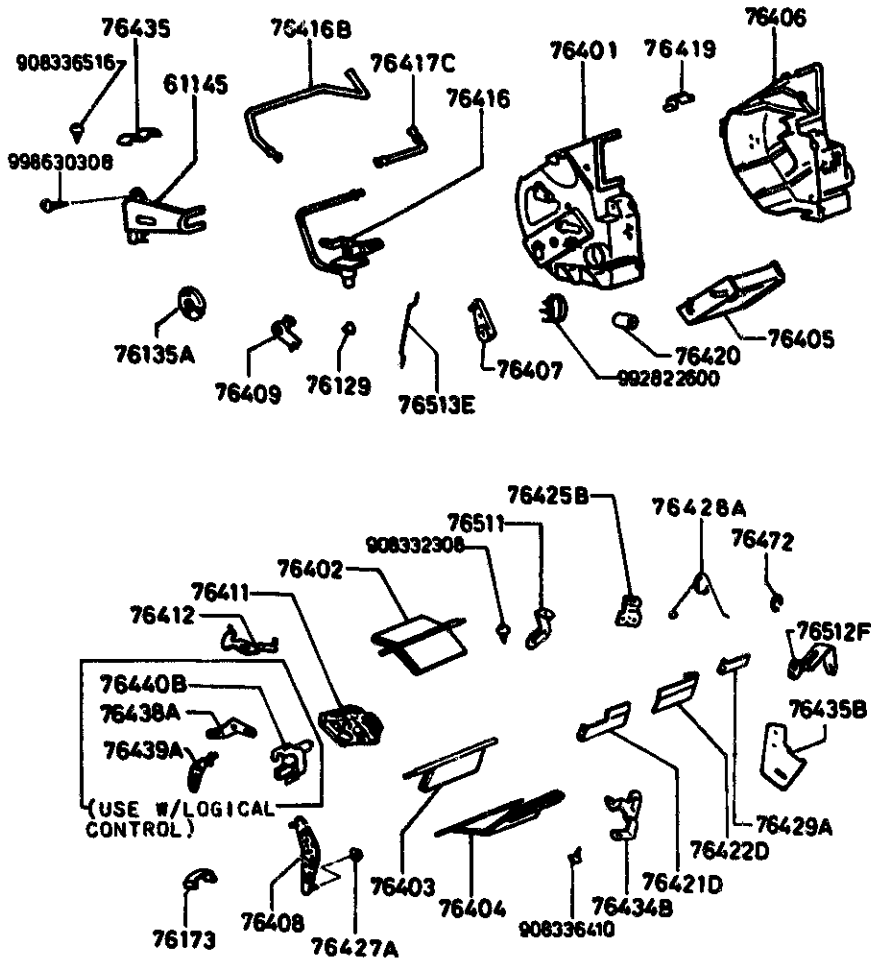
6100A-1 HEATER



ITEM NO.	D-CODE	DESCRIPTION	PART NO.	QTY	MODEL/DESCRIPTION	REMARKS
15	545	CLIP, HEATER HOSE	N231-15-545A	1	12A (S,GS,GSL)	
			FA54-61-231	1	13B (GSL-SE)	
56	639D	COVER, SERVICE HOLE	0810-56-639	1		
61	130	HEATER UNIT	FA54-61-130	1	S,GS	
			FA55-61-130A	1	GSL, GSL-SE	
61	140	BLOWER UNIT	FA55-61-140A	1		
61	150	DUCT	8871-61-150	1	(USE W/O AIR CON)	
61	180	CONTROL, HEATER TEMP.	FA54-61-180	1		
61	190	CONTROL, HEATER	FA54-61-190E	1	S, GS	
			FA55-61-190G	1	(GSL, GSL-SE)	
61	195B	KNOB	FA54-61-181B	1		
		SILVER METALLIC	07			
61	196	KNOB	FA55-61-195B	1	THRU DEC. '83 PROD.	FB33* ..800001-814673
		SILVER METALLIC	07			
			FA55-61-195C	1	FROM JAN. '84 PROD.	FB33* ..814674-
		SILVER METALLIC	07			
61	200	SWITCH, HEATER	FA54-61-200	1	THRU DEC. '83 PROD.	FB33* ..800001-814673
			FA54-61-200A	1	FROM JAN. '84 PROD.	FB33* ..814674-
61	209A	NUT, HEATER CONTROL	FA54-61-205	4		
61	211	HOSE, NO. 1, WATER	N231-15-550	1	12A (S, GS, GSL)	
			8871-61-230	1	13B (GSL-SE)	
61	212	HOSE NO. 2, WATER	8871-61-212	1	12A (S, GS, GSL)	
			FA54-61-212A	1	13B (GSL-SE)	
61	213	HOSE NO. 3, WATER	FA42-61-213A	1		
61	220	PIPE, HEATER	FA42-61-220C	1	12A (S, GS, GSL)	
			FA54-61-220C	1	13B (GSL-SE)	
61	479	GROMMET	8871-61-219A	2		

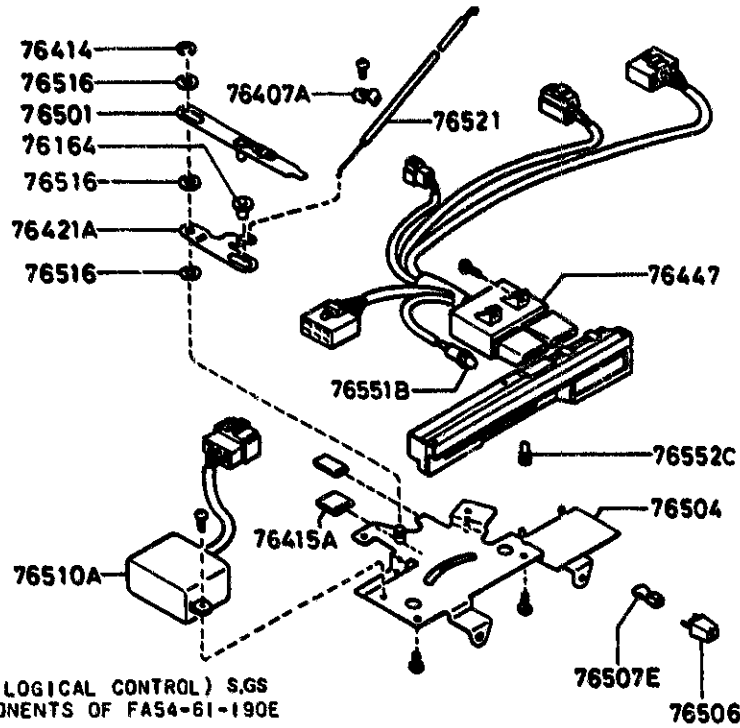
6110A-1 HEATER UNIT COMPONENTS

COMPONENTS OF FA54-61-130
FA55-61-130A



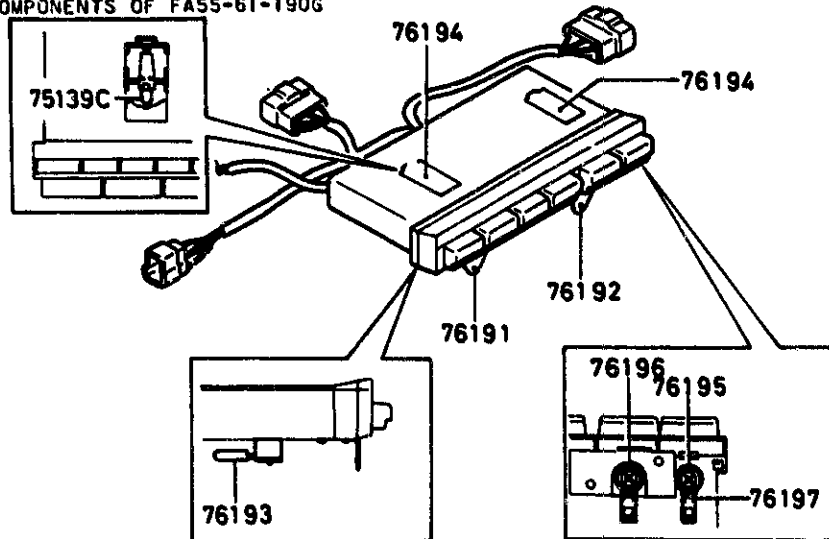
ITEM NO.	D-CODE	DESCRIPTION	PART NO.	QTY	MODEL/DESCRIPTION	REMARKS
61 145		COVER, HEATER	8871-76-418	1		
76 129		BUSHING	FA54-76-426	2	(S, GS)	
				5	(GSL, GSL-SE)	
76 135A		SPRING	8871-76-415A	3	(S, GS)	
				5	(GSL, GSL-SE)	
76 173		CLAMP	8871-76-466	5	(S, GS)	
				6	(GSL, GSL-SE)	
76 401		CASE, HEATER	FA42-76-401	1		
76 402		SHUTTER NO. 1	FA42-76-403	1		
76 403		SHUTTER NO. 2	8871-76-405	1		
76 404		SHUTTER NO. 3	8871-76-410A	1		
76 405		CORE, HEATER	8871-76-402	1		
76 406		CASE HEATER	FA42-76-400A	1		
76 407		LEVER NO. 1, CONTROL	8871-76-406	1		
76 408		LEVER, CONTROL	FA42-76-413	1		
76 409		LEVER NO. 2, CONTROL	8871-76-407	1		
76 411		LEVER, CONTROL	FA54-76-411	1	(S, GS)	
			FA55-76-411	1	(GSL, GSL-SE)	
76 412		LEVER, CONTROL	FA42-76-412	1		
76 416		VALVE, WATER	8871-76-409	1		
76 416B		PIPE	8871-76-416	1		
76 417C		PIPE	8871-76-417	1		
76 419		CLIP	8871-76-471	1		
76 420		HOSE	8871-76-420	3		
76 421D		GUIDE	8871-76-421	1		
76 422D		GUIDE	8871-76-422	1		
76 425B		CLAMP	8871-76-425	1		
76 427A		BUSHING	8871-76-427	1		
76 428A		SPRING	FA42-76-428	1		
76 429A		GUIDE	FA54-76-429	1		
76 434B		PLATE	FA42-76-430	1		
76 435		CLIP	8871-76-419	2		
76 435B		PLATE, WIRE	FA54-76-435	1	(S, GS)	
76 438A		PLATE	FA55-76-438	1	(GSL, GSL-SE)	
76 439A		PLATE	FA55-76-439	1	(GSL, GSL-SE)	
76 440B		ACTUATOR	FA55-76-440	1	(GSL, GSL-SE)	
76 472		WASHER	8871-76-469	1		
76 511		PLATE, HEATER UNIT	FA42-76-404	1		
76 512F		CLIP	0862-76-512	1		
76 513E		SHAFT	8871-76-408	1		

6115A-1 HEATER CONTROLS COMPONENTS



(W/O LOGICAL CONTROL) S.GS
COMPONENTS OF FA54-61-190E

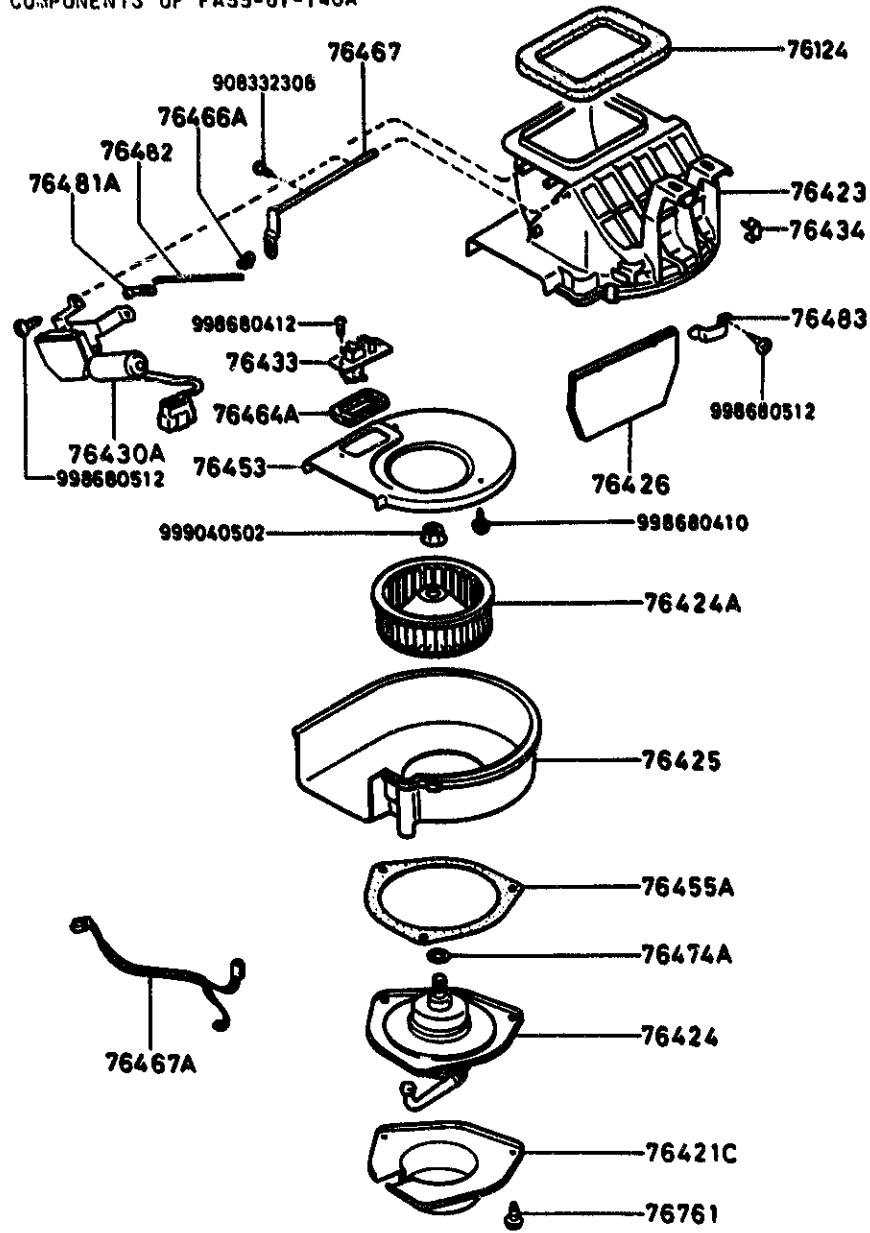
(W/LOGICAL CONTROL) GSL,GSL-SE
COMPONENTS OF FA55-61-190G



ITEM NO.	D-CODE	DESCRIPTION	PART NO.	QTY	MODEL/DESCRIPTION	REMARKS
	75 139C	BULB	0000-11-0074	2	(GSL, GSL-SE)	
	76 164	BUSHING	FA54-76-518	1	(S, GS)	
	76 191	BRACKET	FA55-76-191	1	(GSL, GSL-SE)	
	76 192	BRACKET	FA55-76-192	1	(GSL, GSL-SE)	
	76 193	BRACKET	FA55-76-193	1	(GSL, GSL-SE)	
	76 194	CAP	FA55-76-194	2	(GSL, GSL-SE)	
	76 195	BULB	FA55-76-195	1	(GSL, GSL-SE)	
	76 196	BULB	FA55-76-196	5	(GSL, GSL-SE)	
	76 197	KNOB, RETURN SPRING	FA55-76-197	6	(GSL, GSL-SE)	
	76 407A	CLAMP, CABLE	FA54-76-508	1	(S, GS)	
	76 414	RING, SNAP	0259-71-158	1	(S, GS)	
	76 415A	BUSHING	B531-76-415	1	(S, GS)	
	76 421A	PLATE	FA54-76-503	1	(S, GS)	
	76 447	SWITCH	FA54-76-504	1	(S, GS)	
	76 501	LEVER, CONTROL	FA54-76-501	1	(S, GS)	
	76 504	BRACKET	FA54-76-500	1	(S, GS)	
	76 506	LEVER CONTROL	FA54-76-506	1	(S, GS)	
	76 507E	LENS, CONTROL KNOB	FA54-76-507	1	(S, GS)	
	76 510A	AMPLIFIER	FA54-76-510	1	(S, GS)	
	76 516	WASHER	FA54-76-517	3	(S, GS)	
	76 521	WIRE, HEATER CONTROL	FA54-76-505	1	(S, GS)	
	76 551B	BULB & CAP	FA54-76-551	1	(S, GS)	
	76 552C	BULB	FA54-76-552	2	(S, GS)	

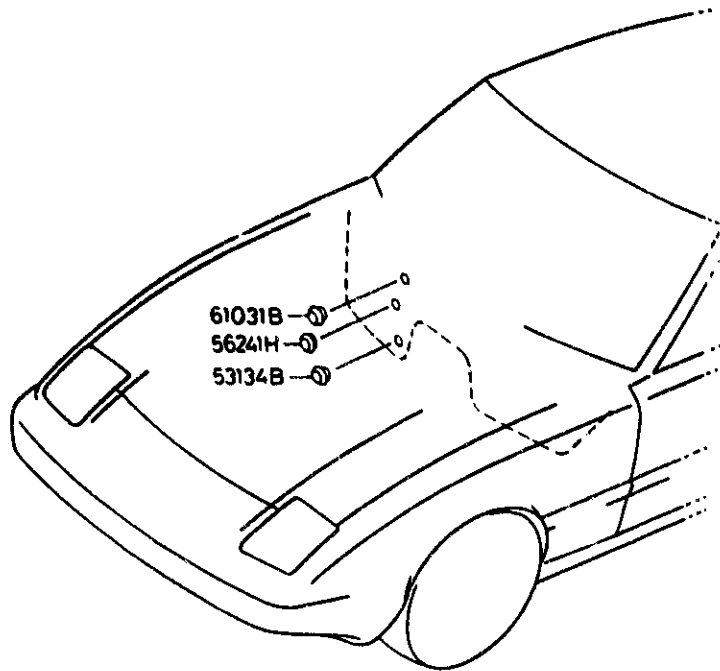
6120A-1 HEATER BLOWER COMPONENTS

COMPONENTS OF FA55-61-140A



ITEM NO.	D-CODE	DESCRIPTION	PART NO	QTY	MODEL/DESCRIPTION	REMARKS
76 124		GASKET	8871-76-465	1		
76 421C		COVER, MOTOR	FA55-76-478	1		
76 423		CASE, FAN	FA55-76-450	1		
76 424		MOTOR, FAN	FA55-76-453	1		
76 424A		MOTOR, FAN	8871-76-456	1		
76 425		CASE	FA55-76-451	1		
76 426		SHUTTER	8871-76-459	1		
76 430A		ACTUATOR	FA55-76-480	1		
76 433		RESISTOR	FA55-76-457	1		
76 434		CLIP	8871-76-466	4		
76 453		FLANGE	FA55-76-452	1		
76 455A		GASKET	FA55-76-454	1		
76 464A		GASKET	8871-76-458	1		
76 466A		CLAMP	8572-76-517	1		
76 467		SHAFT	FA55-76-468	1		
76 467A		WIRING, BLOWER	FA55-76-467	1		
76 474A		WASHER, PLAIN	FA55-76-474	1		
76 481A		BUSHING	FA55-76-481	1		
76 482		SHAFT	FA55-76-482	1		
76 483		HOLDER, COUPLER	FA55-76-483	1		
76 761		SCREW	FA55-76-455	3		

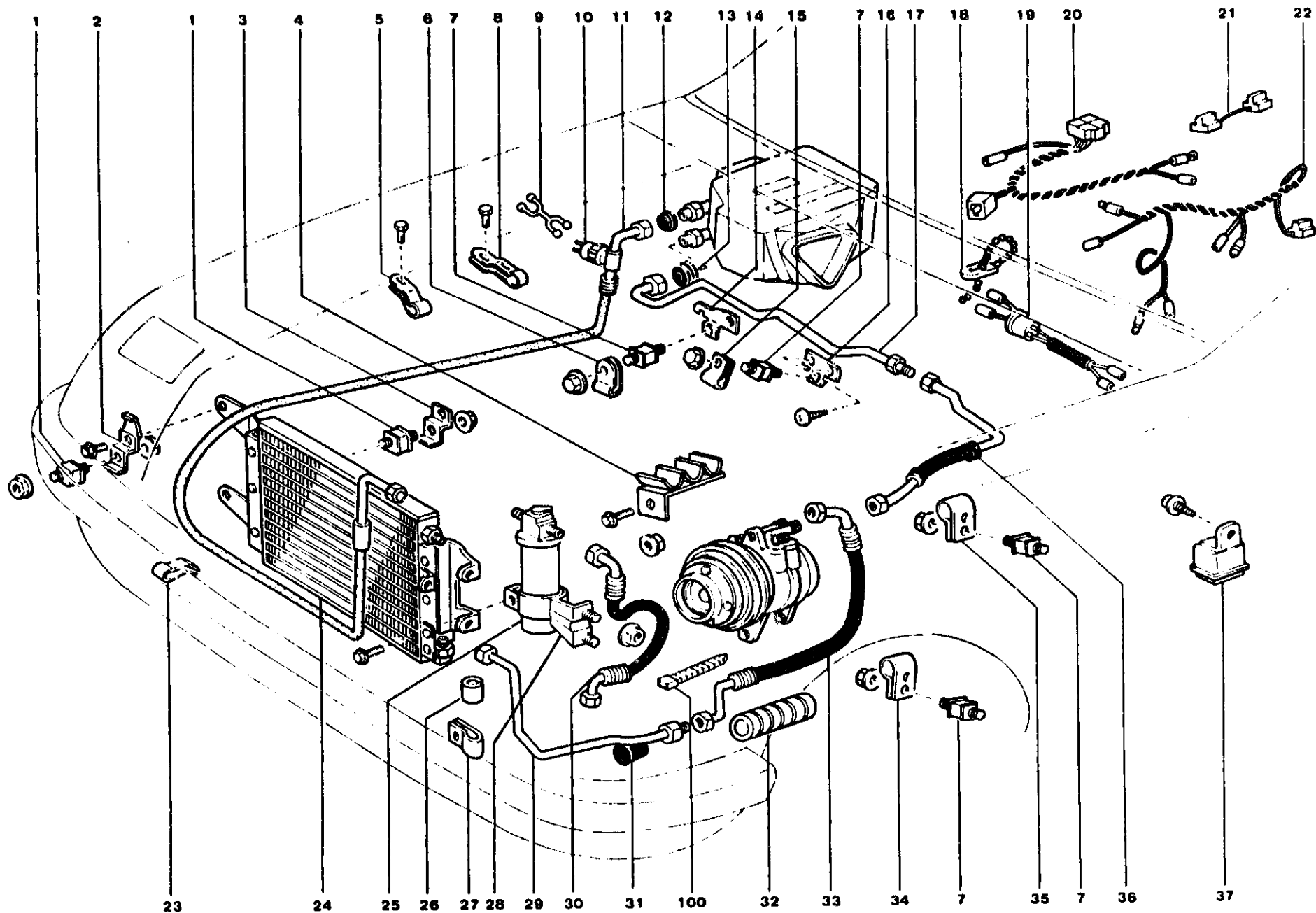
6125B-1 AIR CONDITIONER



SEE SERVICE BULLETINS 006/85 & 008/85, CAT. 16 FOR A/C INFO.

ITEM NO	D-CODE	DESCRIPTION	PART NO	QTY	MODEL/DESCRIPTION	REMARKS
53	134B	RUBBER, DUST SEAL	0187-53-134	1	(USE W/O A/C)	
56	241H	PLUG, DRAIN	0118-56-241	1	(USE W/O A/C)	
61	031B	PLUG	1708-61-031	1	(USE W/O A/C)	

6130B-1 AIR CONDITIONER
(NIPPONDENSO)



6130B-2

AIR CONDITIONER
(NIPPONDENSO)

SEE INSTRUCTION COLUMN FOR A/C INFORMATION

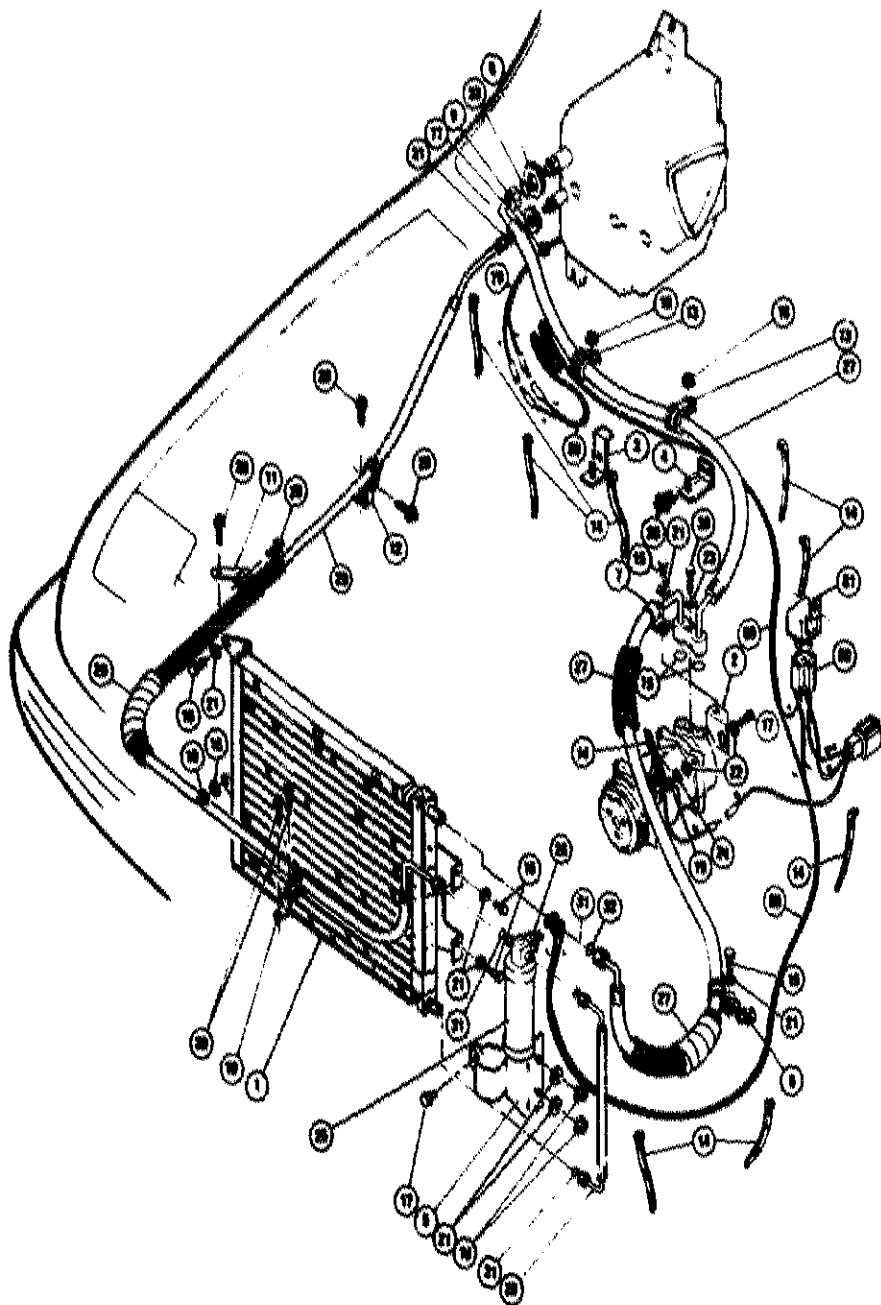
ITEM NO	D-CODE	DESCRIPTION	PART NO	QTY	MODEL/DESCRIPTION	REMARKS
1		BOLT, W RUBBER CUSHION	0000-68-2530-40	4		
2		BRACKET, CONDENSER	0000-68-2047-30	1		
3			0000-68-2032-61	1		
4		CLAMP, COPE	0000-68-9056-90	1		
5		CLAMP, HOSE	0000-68-8033-41	1		
6		CLAMP, TUBE	0000-68-8040-30	1		
7		BOLT, W RUBBER CUSHION	0000-68-2530-60	4		
8		CLAMP, HOSE	0000-68-8033-30	1		
9		CLAMP, WIRE HARNESS	0000-68-9014-10	1		
10		SWITCH, PRESSURE	0000-68-4000-80	1		
11		HOSE, LIQUID	0000-68-3024-91	1		
12		GROMMET, RUBBER	0000-68-2081-90	1		
13			0000-68-2081-80	1		
14		BRACKET, TUBE CLAMP	0000-68-2036-01	1		
15		CLAMP, TUBE	0000-68-8033-62	1		
16		BRACKET, TUBE CLAMP	0000-68-2035-22	1		
17		TUBE, SUCTION	0000-68-1084-82	1		
18		CLAMP, WIRE HARNESS	0000-68-9119-70	6		
19		WIRE HARNESS, PRESSURE SWITCH	0000-68-2041-80	1		
20		WIRE HARNESS, A - C	0000-68-1036-72	1		
21			0000-68-2094-30	1		
23			0000-68-1036-61	1		
23		CLAMP, HOSE	0000-68-8041-50	1		
24		CONDENSER	0000-68-0072-60	1		
25		RECEIVER	0000-68-1002-20	1		
26		CUSHION, RUBBER	0000-68-1296-20	1		
27		CLAMP, TUBE	0000-68-8064-40	1		
28		HOLDER, RECEIVER	0000-68-9039-60	1		
29		TUBE, DISCHARGE	0000-68-8056-00	1		
30		HOSE, LIQUID	0000-68-3025-90	1		
31		BUSHING, RUBBER	0000-68-2510-80	1		
32		PROTECTOR, HOSE	0000-68-1285-00	1		
33		HOSE, DISCHARGE	0000-68-2074-33	1		
34		CLAMP, HOSE	0000-68-8033-02	1		
35			0000-68-8033-22	1		
36		HOSE, SUCTION	0000-68-4080-43	1		
37		RELAY	0000-68-0050-30	1		
100		CLAMP	0000-68-8153-00	1	(85 ONLY)	

SEE ILLUSTRATION/S AT FRAME 2 - M 7

SECTION INDEX -- BODY

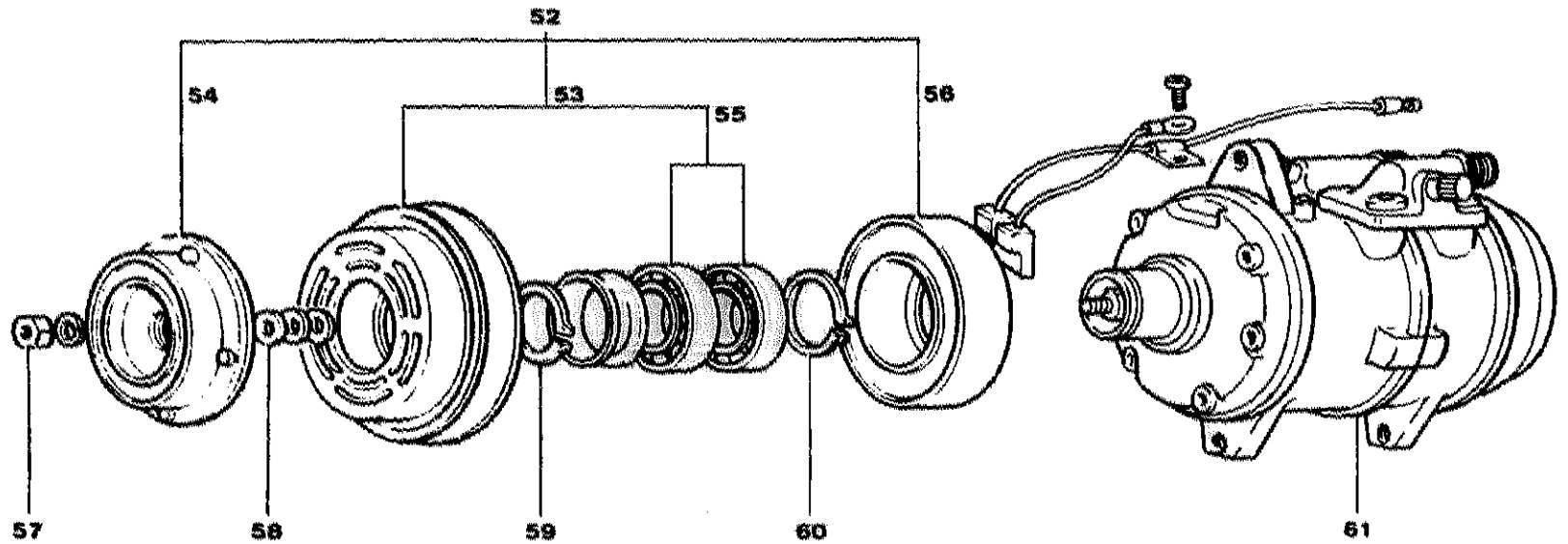
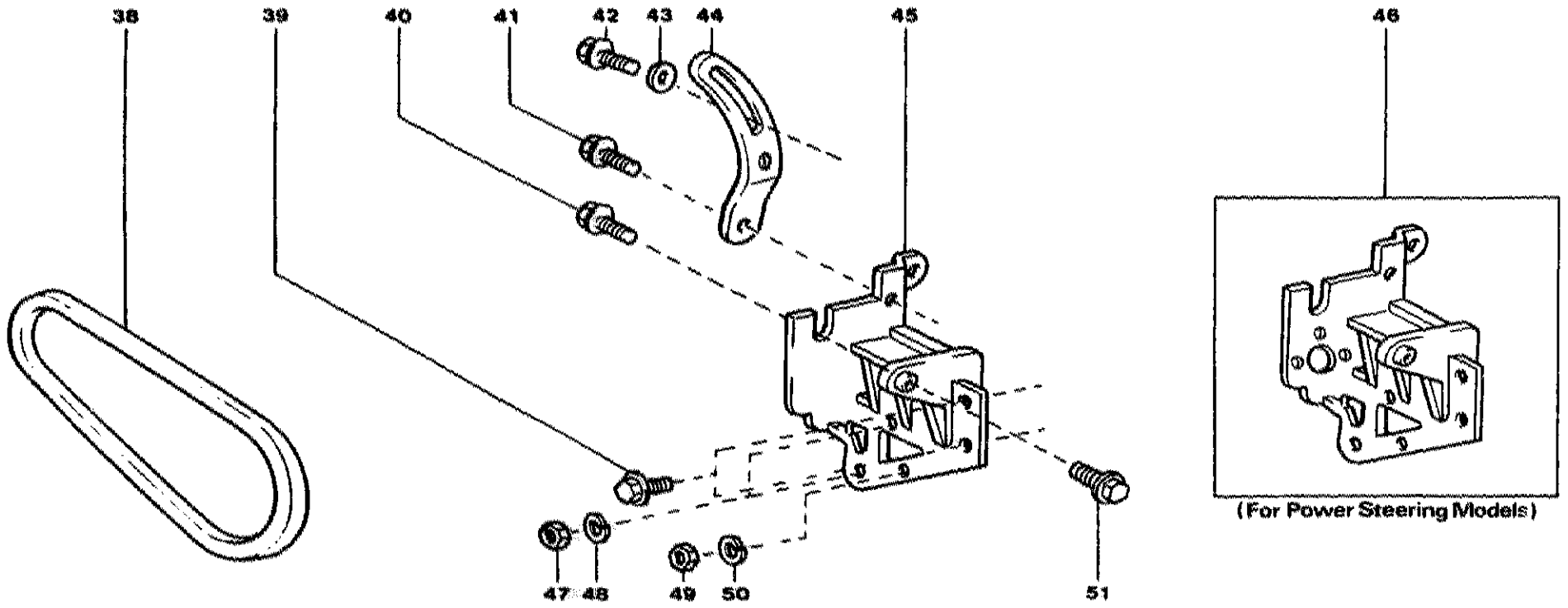
STARTING LOCATION	SECT NO	SECTION NAME	STARTING LOCATION	SECT NO	SECTION NAME	STARTING LOCATION	SECT NO	SECTION NAME
2 - C 3	0900A	KEY SETS	2 - J 7	6110A	HEATER UNIT COMPONENTS	2 - M10	6703A	WIRE HARNESS (DOOR, FLOOR, CEILING)
2 - D 3	5000A	FRONT BUMPER	2 - J 7	6115A	HEATER CONTROLS COMPONENTS	2 - I10	6704A	WIRE HARNESS CLAMPS
2 - E 3	5005A	RADIATOR GRILLE	2 - K 7	6120A	HEATER BLOWER COMPONENTS	2 - J10	6720A	WINDSHIELD WASHER
2 - F 3	5010A	REAR BUMPER	2 - L 7	6125B	AIR CONDITIONER	2 - K10	6730A	WINDSHIELD WIPER
2 - G 3	5030A	WINDOW MOULDINGS	2 - M 7	6130B	AIR CONDITIONER (NIPPONDENSO)	2 - I10	6740A	WIPER MOTOR COMPONENTS (FRONT)
2 - H 3	5040A	BODY MOULDINGS				2 - M10	6750A	WINDOW WIPER & WASHER (REAR) (GSL, GSL-SE)
2 - I 3	5060A	SIDE PROTECTORS	2 - C 8	6132B	AIR CONDITIONER (WYNN'S)	2 - N10	6760A	WINDOW WIPER MOTOR COMPONENTS (REAR) (GSL, GSL-SE)
2 - J 3	5100A	HEAD LAMPS	2 - D 8	6140B	A C COMPRESSOR BRACKETS (NIPPONDENSO)	2 - C11	6800A	CEILING TRIM
2 - K 3	5103A	HEAD LAMP RETRACTOR	2 - F 8	6142B	A C COMPRESSOR COMPONENTS (WYNN'S)	2 - D11	6820A	PILLAR TRIM
2 - L 3	5105A	FRONT COMBINATION LAMPS	2 - H 8	6145B	A C COMPRESSOR COMPONENTS (NIPPONDENSO)	2 - F11	6840A	TRIM & SCUFF PLATE
2 - M 3	5110A	REAR COMBINATION LAMPS	2 - J 8	6150b	COOLING UNIT (NIPPONDENSO)	2 - I11	6860A	FLOOR MATS & PADS
2 - N 3	5120A	LICENSE LAMPS	2 - L 8	6152B	COOLING UNIT (WYNN'S)	2 - F11	6870A	SERVICE TOOLS
2 - C 4	5125A	INTERIOR LAMPS	2 - M 8	6230A	BACK DOOR MECHANISM	2 - K11	6900A	VISOR, ASSIST HANDLE & MIRRORS
2 - D 4	5170A	ORNAMENTS	2 - N 8	6300A	WINDOW GLASSES	2 - N11	6930A	CAUTION PLATES & LABEL
2 - E 4	5180A	COWL & EXTRACTOR GRILLES						
2 - F 4	5230A	HOOD	2 - C 9	6330A	SUNROOF (GSL, GSL-SE)			
2 - G 4	5310A	BODY PANELS (FRONT)	2 - D 9	6600A	SWITCH & RELAY (ENGINE)			
2 - H 4	5320A	BODY PANELS (FENDER & WHEEL APRON)	2 - F 9	6610A	DASHBOARD SWITCHES (MANUAL OPERATING)			
2 - I 4	5330A	BODY PANELS (DASH & COWL PANEL)	2 - G 9	6611A	COMBINATION SWITCH			
2 - J 4	5340A	BODY PANELS (SIDE)	2 - H 9	6612A	CLUSTER SWITCH (RIGHT SIDE)			
2 - K 4	5360A	BODY PANELS (ROOF)	2 - I 9	6613A	CLUSTER SWITCH (LEFT SIDE)			
2 - L 4	5370A	BODY PANELS (FLOOR)	2 - J 9	6615A	POWER WINDOW SWITCH			
2 - M 4	5390A	FLOOR ATTACHMENTS	2 - K 9	6620A	DOOR, PARKING LAMP & KICKDOWN SWITCHES			
2 - C 5	5500A	DASHBOARD EQUIPMENT	2 - L 9	6630A	RELAY & CPU (BODY)			
2 - F 5	5520A	METER HOOD	2 - M 9	6635A	HORN			
2 - G 5	5530A	SPEEDOMETER CABLE	2 - N 9	6640A	AUTO CRUISE CONTROLS			
2 - H 5	5540A	METERS	2 - C10	6680A	AUDIO SYSTEMS (RADIO & TAPE DECK)			
2 - I 5	5550A	CLUSTER SWITCH COVER	2 - D10	6682A	AUDIO SYSTEMS (ANTENNA & SPEAKER)			
2 - J 5	5560A	DASHBOARD & RELATED	2 - E10	6700A	WIRE HARNESS (FRONT & REAR)			
2 - L 5	5570A	CONSOLE	2 - F10	6701A	WIRE HARNESS (ENGINE & TRANSMISSION)			
2 - N 5	5580A	VENTILATOR	2 - G10	6702A	WIRE HARNESS (DASHBOARD)			
2 - C 6	5700A	FRONT SEAT						
2 - H 6	5790A	SEAT BELTS						
2 - I 6	5800A	FRONT DOOR						
2 - J 6	5830A	FRONT DOOR MECHANISMS						
2 - C 7	5840A	FRONT DOOR TRIM & RELATED PARTS						
2 - H 7	6100A	METER						

**6132B-1 AIR CONDITIONER
(WYNN'S)**



ITEM NO	D-CODE	DESCRIPTION	PART NO	QTY	MODEL DESCRIPTION	REMARKS
1		CONDENSER ASSEMBLY	0000-67-A10A-4A	1		
2		BRACKET, HOSE CLAMP	0000-67-0012-J	1		
3			0000-67-A21A-4A	1		
4			0000-67-A22A-4A	1		
5		BRACKET, RECEIVER-DRIER	0000-67-A92A-4A	1		
6		CLAMP, HOSE	0000-67-1970-62	1		
7			0000-67-1970-63	1		
8		GROMMET	0000-67-A43A-6F	1		
9			0000-67-A44A-6F	1		
10		CLIP	0000-67-A40A-4A	1	NO 1	
11			0000-67-A41A-4A	1	NO 2	
12			0000-67-A42A-4A	1	NO 3	
13			0000-67-A43A-4A	1		
14		TY-RAP	0000-67-X60A-00	1	4 IN.	
15		BOLT, HEX, ZINC	0000-67-1997-86	1	6MM X 16MM	
18			0000-67-1997-16	4	6MM X 20MM	
17		BOLT, HEX	0000-67-5715-75	1	10MM X 1.25MM X 30MM	
18		NUT, 6MM FLANGE, ZINC	0000-67-X20M-00	5		
19		NUT, 10MM X 1.25, HEX	0000-67-1983-77	1		
20		SCREW, TAPPING HWM, BLACK	0000-67-X30A-04	8	≈ 10 X 1.2	
21		FLATWASHER, 6MM, ZINC	0000-67-6730-76	7		
22		FLATWASHER, 10MM, ZINC	0000-67-1981-83	2		
23		FLATWASHER, 10MM, W/.708 OD	0000-67-1983-82	1		
24		LOCKWASHER, 10MM	0000-67-X40M-03	1		
25		RECEIVER-DRIER	0000-67-A91A-4A	1		
26		SWITCH, LOW PRESSURE, CUT-OFF	0000-67-A93A-3F	1		
27		HOSE BLOCK ASSEMBLY	0000-67-E10A-4A	1		
28		HOSE, LIQUID 18 INCH	0000-67-E20A-4A	1		
29		HOSE LIQUID 55.91 INCHES	0000-67-E30A-4A	1		
30		BOLT, COMP. (USE W67-D00A-3A)	0000-67-6716-50	1	10MM X 1.0 X 35MM	
30		BOLT, COMP. (USE W/67-D00B-3A)	0000-67-X10M-25	1	10MM X 1.25 X 40MM	
31		O-RING	0000-67-0123-17	4	NO. 6	
32			0000-67-0123-18	2	NO. 8	
33			0000-67-0123-19	1	NO. 10	

6140B-1 A/C COMPRESSOR/BRAKETS
(NIPPONDENSO)



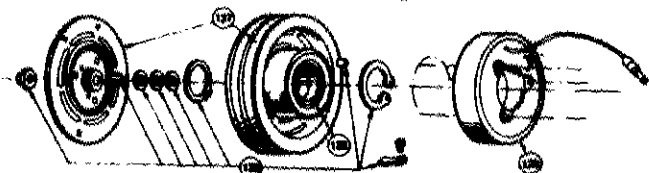
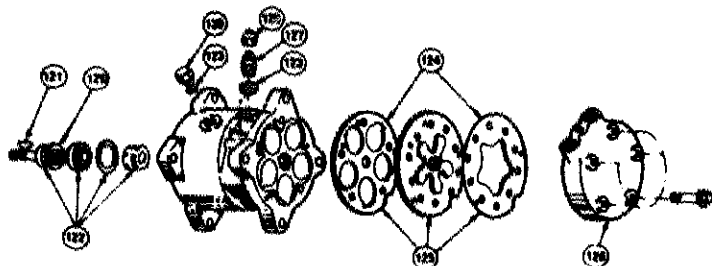
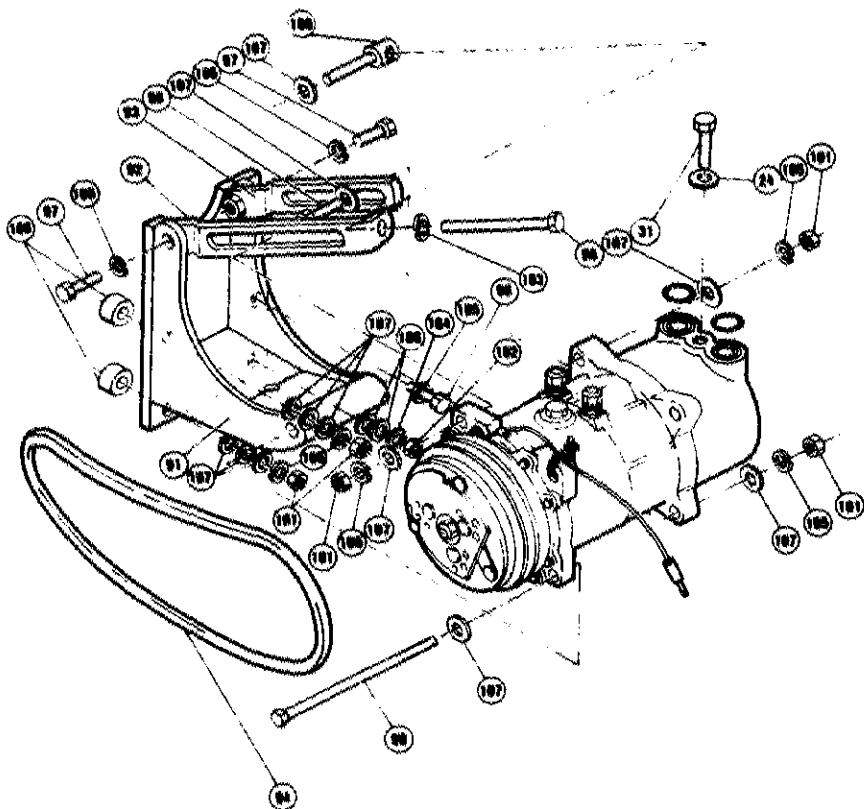
**6140B-2 A/C COMPRESSOR/BRACKETS
(NIPPONDENSO)**

SEE INSTRUCTION COLUMN FOR A/C INFORMATION

ITEM NO.	D-CODE	DESCRIPTION	PART NO	QTY	MODEL/DESCRIPTION	REMARKS
38		BELT, COMPRESSOR DRIVE	N249-15-9068	1		(EASTERN REGIONS)
			0000-68-1111-05	1		(WESTERN REGIONS)
39		BOLT, W/ WASHER	0000-68-8103-01	1		
40			0000-63-7104-01	1		
41			0000-68-8102-51	1		
42			0000-68-7104-01	1		
43		WASHER, PLATE	0000-68-1154-60	1		
44		BRACKET, COMPRESSOR	0000-68-6324-52	1		
45		MOUNTING, COMPRESSOR	0000-68-6056-31	1	W/O P/S	
46			N249-15-925C	1	W/ P/S	
47		NUT, HEX	0000-68-6100-81	2		
48		WASHER, SPRING	0000-68-8100-01	2		
49		NUT, HEX	0000-68-5026-10	1		
50		WASHER, SPRING	0000-68-8120-01	1		
51		BOLT, W/ WASHER	0000-68-8105-01	1		
52		CLUTCH ASSY., MAGNETIC	0000-68-0032-80	1		
53		ROTOR ASSY.	0000-68-5007-80	1		
54		PLATE, PRESSURE	0000-68-1005-30	1		
55		BEARING	0000-68-0026-70	2		
56		STATOR ASSY.	0000-68-1018-90	1		
57		NUT	0000-68-0086-51	1		
58		WASHER, ADJUSTING	0000-68-1326-00	1		
58			0000-68-1326-10	1		
58			0000-68-1127-50	1		
59		RING, SNAP	0000-68-7006-40	1		
60			0000-68-7003-10	1		
61		COMPRESSOR, ASSY.	0000-68-0038-91	1		

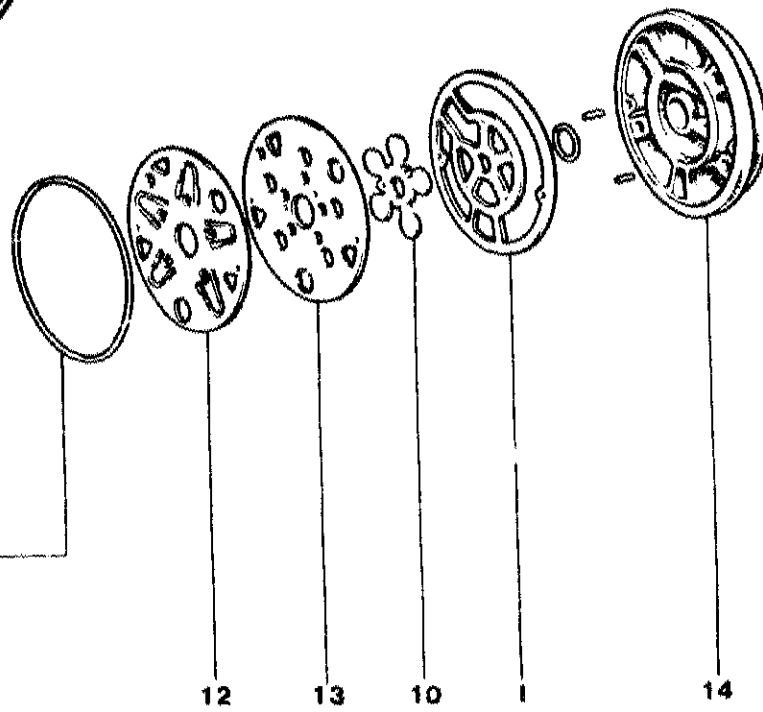
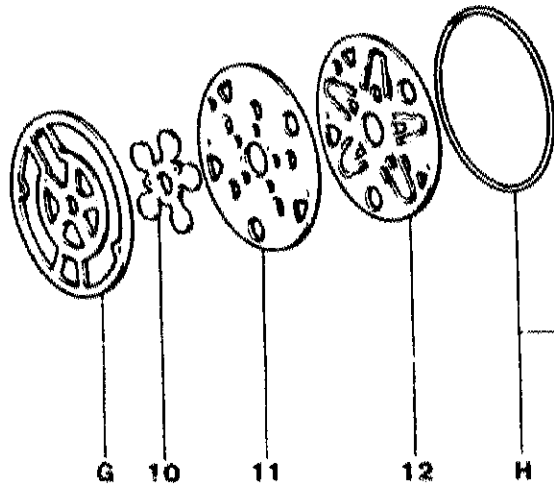
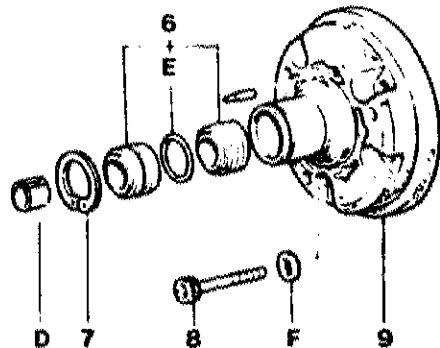
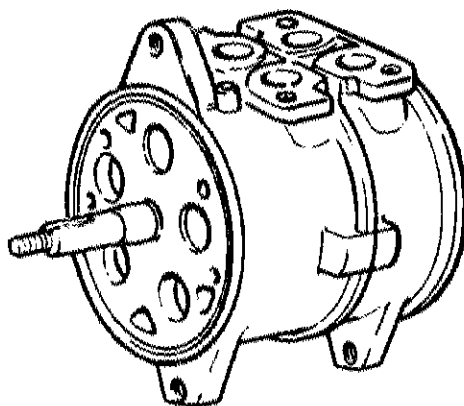
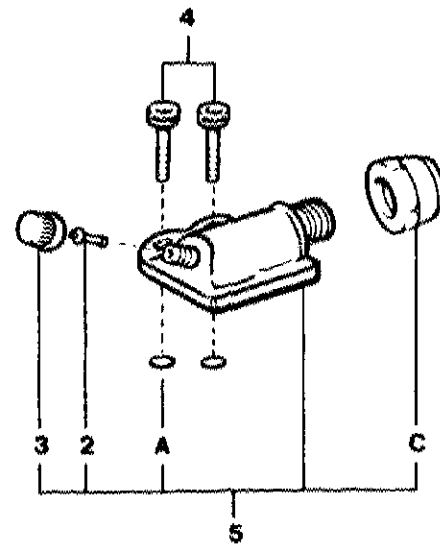
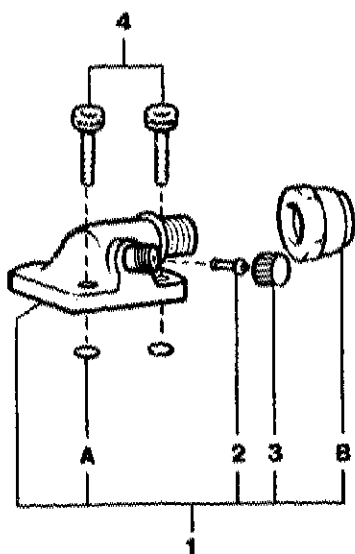
SEE ILLUSTRATION/S AT FRAME 2 - D 8

6142B-1 A/C COMPRESSOR COMPONENTS (WYNN'S)



ITEM NO.	D-CODE	DESCRIPTION	PART NO.	QTY	MODEL/DESCRIPTION	REMARKS
		COMPRESSOR MOUNT KIT (S444)				
91		BRACKET, COMPRESSOR MTG.	0000-67-C10A-4A	1		
92		BRACKET, ADJUSTMENT NO. 1	0000-67-C21A-4A	1		
93		BRACKET, ADJUSTMENT NO. 2	0000-67-C22A-4A	1		
94		BELT, DRIVE (17385)	0000-67-5409-03	1		
95		SACK KIT, BOLT				
95		BOLT, ZINC	0000-67-X10M-13	1	8MM X 1.25 X 85MM	
96			0000-67-1983-70	1	10MM X 1.25 X 20MM	
97			0000-67-1981-79	2	10MM X 1.25 X 25MM	
98			0000-67-X10M-25	1	10MM X 1.25 X 40MM	
99			0000-67-X10M-05	1	10MM X 1.25 X 125MM	
100		BOLT, ADJUSTING	0000-67-X10A-06	1		
101		NUT, 10MM X 1.25, ZINC	0000-67-1983-77	5		
102		NUT, 12MM X 1.50, ZINC	0000-67-1983-76	1		
103		LOCKWASHER, 5/16, ZINC	0000-67-197-92	1		
16		LOCKWASHER, 1/2, ZINC	0000-67-X40A-01	1		
105		LOCKWASHER, 10MM, ZINC	9997-11-000	8		
106		FLATWASHER, 1/2, SAE	0000-67-X40A-02	2		
107		FLATWASHER, 10MM, 22MM OD, ZINC	0000-67-X40M-22	12		
108		SPACER	0000-67-X50A-00	2		
		COMPRESSOR/CLUTCH	0000-67-D00B-3A	1	SANKYO 9165A	
		COMPRESSOR	0000-67-D10A-3A	1	SANKYO 1653	
121		SHAFT KEY	0000-67-D11A-3A	1		
122		SEAL KIT	0000-67-0124-26	1		
123		O-RING	0000-67-0123-40	1	PKG. OF 10	
124		GASKET, KIT	0000-67-D13B-3B	1		
125		VALVE PLATE ASSEMBLY	0000-67-0126-23	1		
		< AN >	0000-67-D14A-3B	1		
126		CYLINDER HEAD	0000-67-0127-08	1		
127		SERVICE PORT W/VALVE	0000-67-D16A-3A	2		
128		SCHRADER VALVE CAP	0000-67-D17A-3A	1		
129		SNAP RING-SEAL SEAT	0000-67-D18A-3A	1		
130		OIL FILTER PLUG	0000-67-D19A-3A	1		
131		O-RING, SAE 114 (DISCH)	0000-67-0123-38	1		
132		O-RING, SAE 116 (SUCTION)	0000-67-0123-39	1		
		CLUTCH	0000-67-D20A-3A	1	5 IN.	
136		ACCESSORY, KIT	0000-67-D21A-3A	1		
137		FRONT PLATE & ROTOR	0000-67-D22A-3A	1		
138		BEARING	0000-67-D23A-6A	1		
139		FIELD COIL	0000-67-D24A-3A	1		

6145B-1 A/C COMPRESSOR COMPONENTS
(NIPPONDENSO)



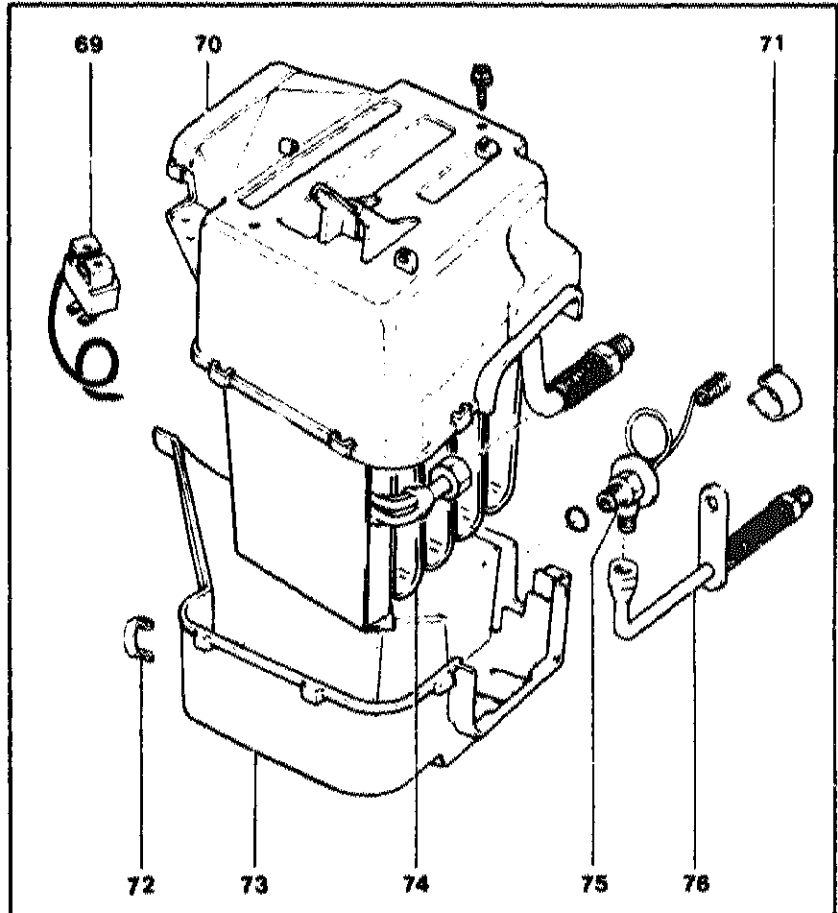
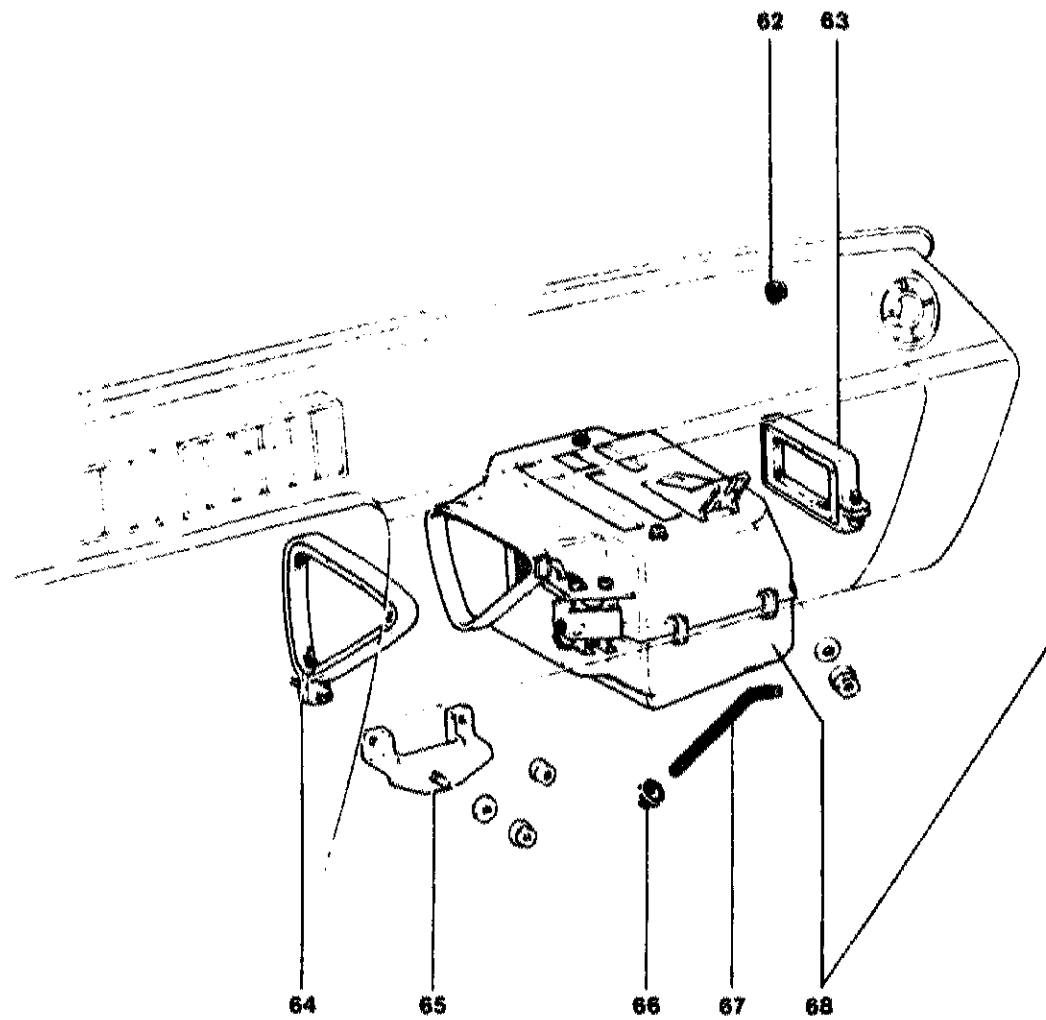
**6145B-2 A/C COMPRESSOR COMPONENTS
(NIPPONDENSO)**

SEE INSTRUCTION COLUMN FOR A/C INFORMATION

ITEM NO.	D-CODE	DESCRIPTION	PART NO.	QTY	MODEL/DESCRIPTION	REMARKS
		GASKET KIT, OVERHAUL	0000-68-9904-21	1	FROM A TO I	
1		VALVE ASSY., SUCTION SERVICE	0000-68-3805-91	1		
2		VALVE, SCHRADER	0000-68-1400-10	2		
3		CAP. SERVICE VALVE	0000-68-3300-30	2		
4		BOLT. SERVICE VALVE	0000-68-4601-70	4		
5		VALVE ASSY., DISCHARGE SERVICE	0000-68-3913-60	1		
6		SEAL ASSY., SHAFT	0000-68-4002-11	1		
7		RING, SNAP	0000-68-730-00	1		
8		BOLT, THROUGH	0000-68-4226-50	5		
9		HOUSING, FRONT	0000-68-0103-40	1		
10		VALVE, DISCHARGE REED	0000-68-7500-70	2		
11		PLATE ASSY., FRONT VALVE	0000-68-7101-01	1		
12		VALVE, SUCTION REED	0000-68-7401-20	2		
13		PLATE ASSY., REAR VALVE	0000-68-7101-11	1		
14		HOUSING, REAR	0000-68-0103-50	1		

SEE ILLUSTRATION/S AT FRAME 2 - G 8

6150B-1 COOLING UNIT
(NIPPONDENSO)



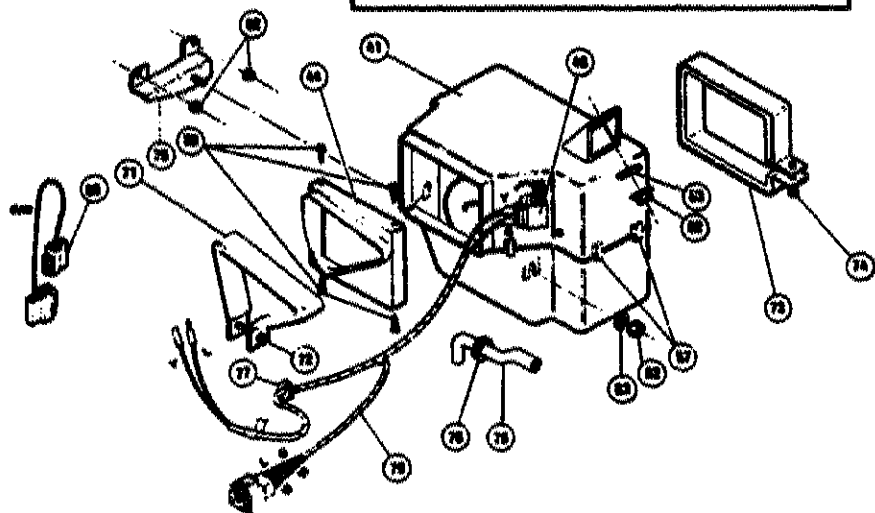
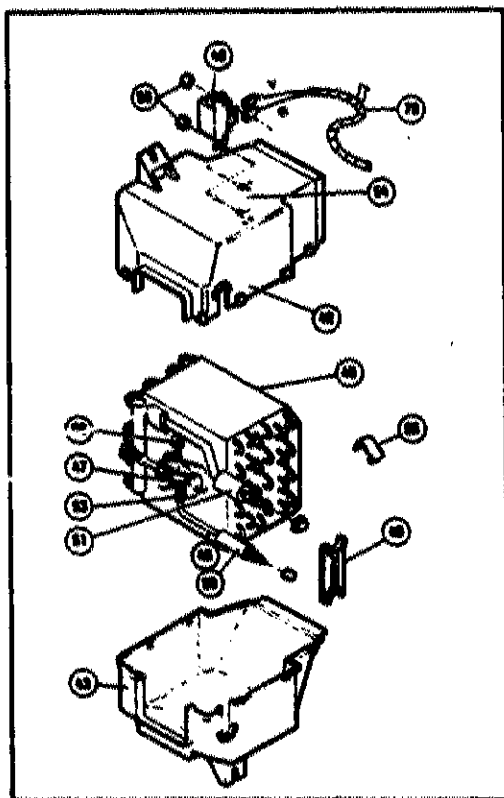
**6150B-2 COOLING UNIT
(NIPPONDENSO)**

SEE INSTRUCTION COLUMN FOR A/C INFORMATION

ITEM NO.	D-CODE	DESCRIPTION	PART NO.	QTY	MODEL/DESCRIPTION	REMARKS
62		GROMMET, WIRE HARNESS	0000-68-8404-80	1		
63		BAND, AIR DUCT	0000-68-9021-90	1		
64			0000-68-9015-61	1		
65		BRACKET, COOLING UNIT	0000-68-6042-80	1		
66		GROMMET, DRAIN HOSE	0000-68-2067-80	1		
67		HOSE, DRAIN	0000-68-1107-31	1		
68		UNIT ASSY., COOLING	0000-68-CJ75-40	1		
69		THERMOSTAT	0000-68-5002-80	1		
			<A> 0000-68-500-80	1		
70		CASE, COOLING UNIT UPPER	0000-68-2033-80	1		
71		HOLDER, REMOTE BULB	0000-68-1100-40	1		
72		SPRING, HOLDING	0000-68-3201-20	8		
73		CASE, COOLING UNIT LOWER	0000-68-2033-90	1		
74		EVAPORATOR	0000-68-0035-40	1		
75		VALVE, EXPANSION	0000-68-0006-00	1		
76		TUBE, LIQUID	0000-68-9092-30	1		

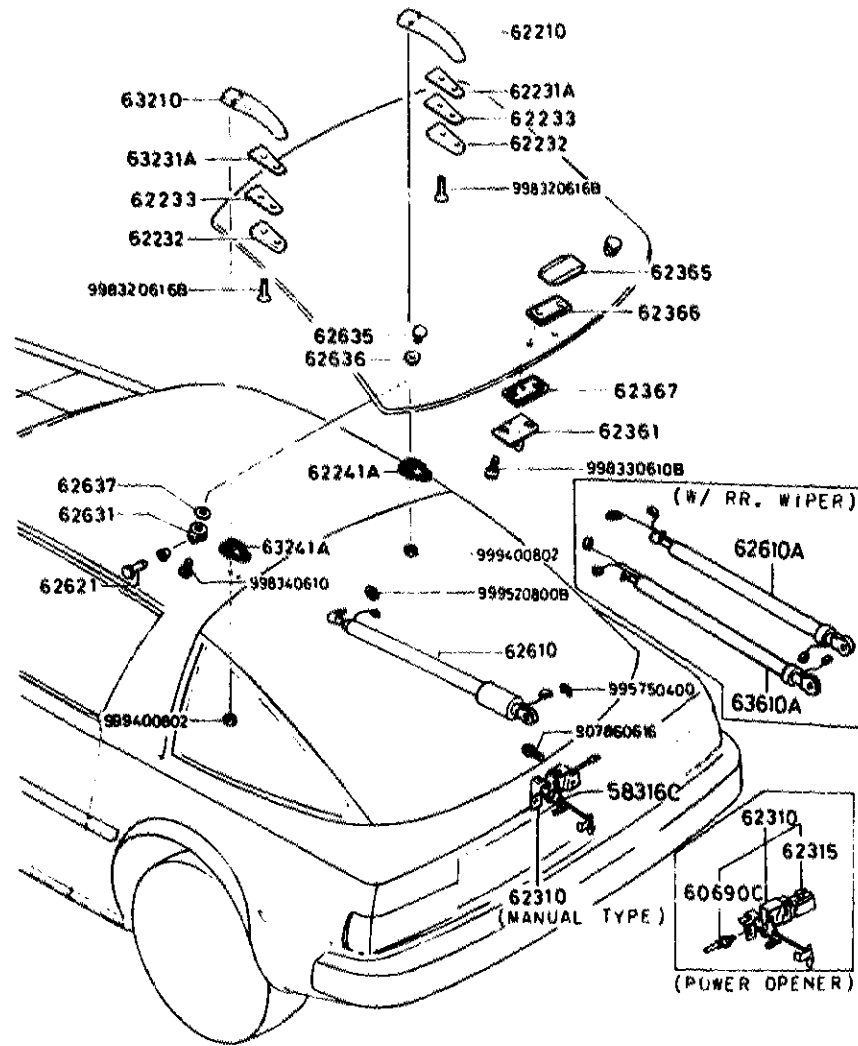
SEE ILLUSTRATION/S AT FRAME 2 - 1 8

**6152B-1 COOLING UNIT
(WYNN'S)**



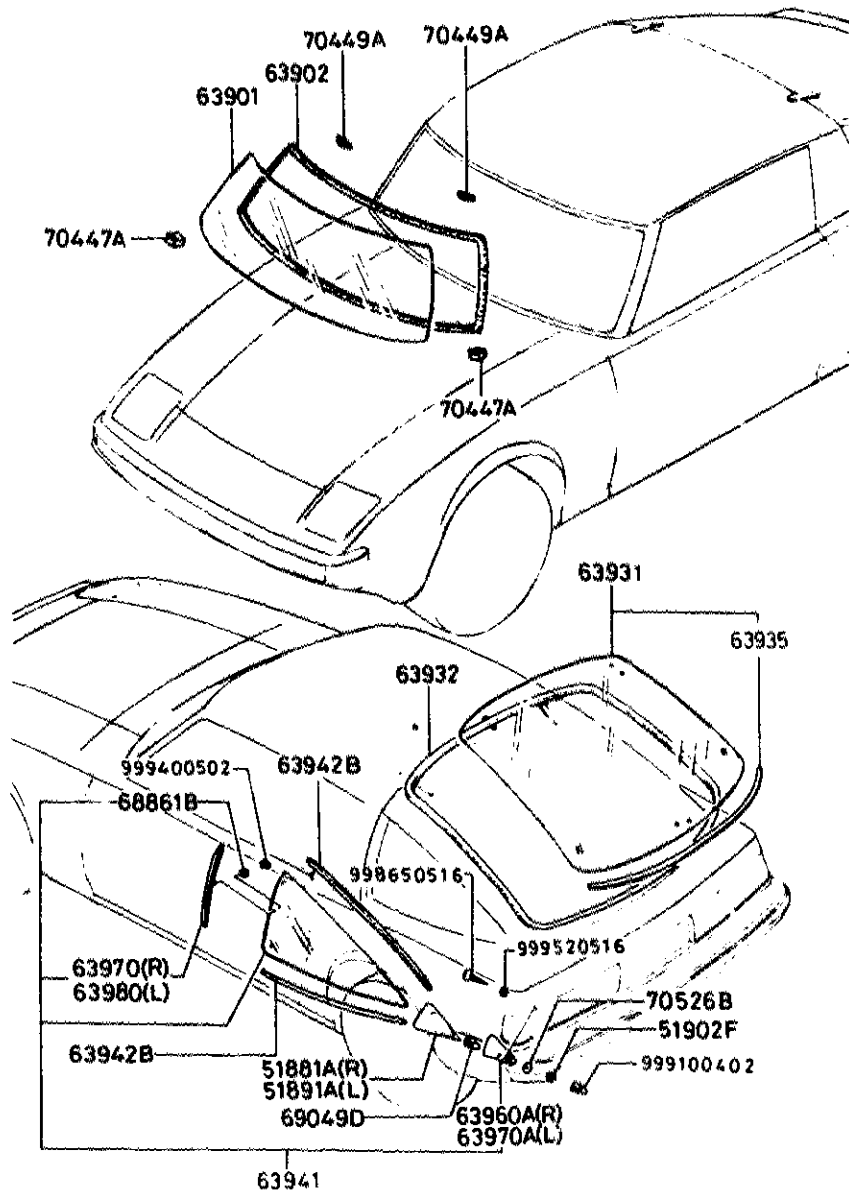
ITEM NO.	D-CODE	DESCRIPTION	PART NO.	QTY	MODEL/DESCRIPTION	REMARKS
41		EVAPORATOR ASSEMBLY	0000-67-B10A-4A	1		
42		CASE, TOP	0000-67-B11A-4A	1		
43		CASE, BOTTOM, W/ DRAIN PLATE	0000-67-B21A-4A	1		
44		CASE, TRANSITION	0000-67-1977-34	1		
46		COIL, EVAPORATOR	0000-67-B30A-4A	1		
46		TUBE, EXTENSION W/ PROTECTOR	0000-67-B32A-4A	1		
47		EXPANSION VALVE	0000-67-0336-81	1		
48		THERMOSTAT	0000-67-0958-17	1		
49		AIR SEAL, PIPE	0000-67-B43A-4A	1		
50		PROTECTOR, TUBE, NO. 18 DENSITY	0000-67-B45A-4A	1	5/8 ID X 3/16 WALL X 2.5	
51		O-RING #4, CAP SEAL	0000-67-0123-21	1		
52		O-RING	0000-67-0123-18	1	NO. 8	
53		BRACKET, MTG., THERMOSTAT	0000-67-0007-37	1		
54		CLAMP, BULB	0000-67-B44A-3B	1	NO. 1	
55		CLIP, COIL SCREEN	0000-67-B44A-4A	1		
56		CLIPS, RETAINER	0000-67-1977-25	8		
57		NUT, 10-32 HH KEPS BZ	0000-67-X20A-00	2		
58		SCREW, TA BLK. ZINC	0000-67-0406-55	6	8MM X .5 PTH	
59		SCREW, TA BLK. ZINC	0000-67-1982-26	2	10MM X .5 PTH	
71		SACK KIT, EVAPORATOR				
		SEAL, PLATE (REQ'S 67-B27A-5Q)	0000-67-B16A-4A	1		
		TAPE, INSULATION (5/16 X 1 X 24)	0000-67-B27A-5Q	2	(USE W/67-B16A)	
					(67B17A-4A)	
					(USE W/67-B16A-4A & 67-B17A-4A)	
73		SCREW, DM05 X .8 X 25 PPH Z1	9983-00-525	2		
74		SEAL, PLATE, (REQ'S 67-B27A-5Q)	0000-67-B17A-4A	1		
75		BRACKET, SUPPORT, EVAP.	0000-67-B13A-4A	2		
76		SCREW, DM05 X 8 X 25 PPH Z1	9983-00-525	1		
77		GROMMET, 1/2 X 3/8	0000-67-B62A-4A	1		
78		HOSE, DRAIN	0000-67-B63A-4A	1		
79		WIRE HARNESS (UNDER DASH)	0000-67-880A-5Q	1		
80		WIRE HARNESS (UNDER HOOD)	0000-67-881A-5Q	1		
81		WIRE, CONNECTOR	0000-67-882A-4A	1		
82		RELAY	0000-67-881A-4A	1		
83		NUT, 6 X 1.0 HFMSK Z2	0000-67-X20M-00	4		
84		FLATWASHER, 6 X 18 X 1.6 Z1	0000-67-X40M-02	2		

6230A-1 BACK DOOR MECHANISM



ITEM NO.	D-CODE	DESCRIPTION	PART NO.	QTY	MODEL/DESCRIPTION	REMARKS
58 316C		CLIP	G030-58-315	2		
60 690C		SWITCH, ROOM LAMP	0305-60-690	1		
62 210		HINGE (R)	8871-62-210B	1		
62 231A		SHIM 'A' (R), HINGE	8871-62-231	1		
62 232		SHIM 'B', HINGE	8871-62-232A	2		
62 233		SHIM 'D', HINGE	8871-62-233	2		
62 241A		SHIM 'C' (R), HINGE	8871-62-241A	1		
62 310		LOCK, BACK DOOR	FA01-62-310C	1	(POWER OPENER) (GS, GSI, GSI-5E)	
			FA02-62-310B	1	(MANUAL TYPE) (S)	
62 315		OPENER, REMOTE CONTROL	8341-62-315	1	(FOR POWER OPENER) (GS, GSI, GSI-5E)	
62 361		STRIKER, LOCK	8871-62-361	1		
62 365		NUT, STRIKER	FA01-62-365	1		
62 366		SHIM 'A', STRIKER	FA01-62-366	1		
62 367		SHIM 'B', STRIKER	8871-62-367	1		
62 610		STAY, DAMPER	8341-89-621	2	(W/O RR. WIPER) (S, GS)	
62 610A		STAY (R), DAMPER	1482-89-621	1	(W/ RR. WIPER) (GSI, GSI-5E)	
62 621		NUT, DAMPER	8871-62-621	2		
62 631		BRACKET, DAMPER	8871-62-631	2		
62 635		NUT, DAMPER	8871-62-635A	2		
62 636		SHIM 'A', DAMPER	8871-62-636A	2		
62 637		SHIM 'B', DAMPER	8871-62-637	2		
63 210		HINGE (L)	8871-63-210B	1		
63 231A		SHIM 'A' (L), HINGE	8871-63-231	1		
63 241A		SHIM 'C' (L), HINGE	8871-63-241A	1		
63 610A		STAY (L), DAMPER	8341-89-621	1	(W/ RR. WIPER) (GSI, GSI-5E)	

6300A-1 WINDOW GLASSES

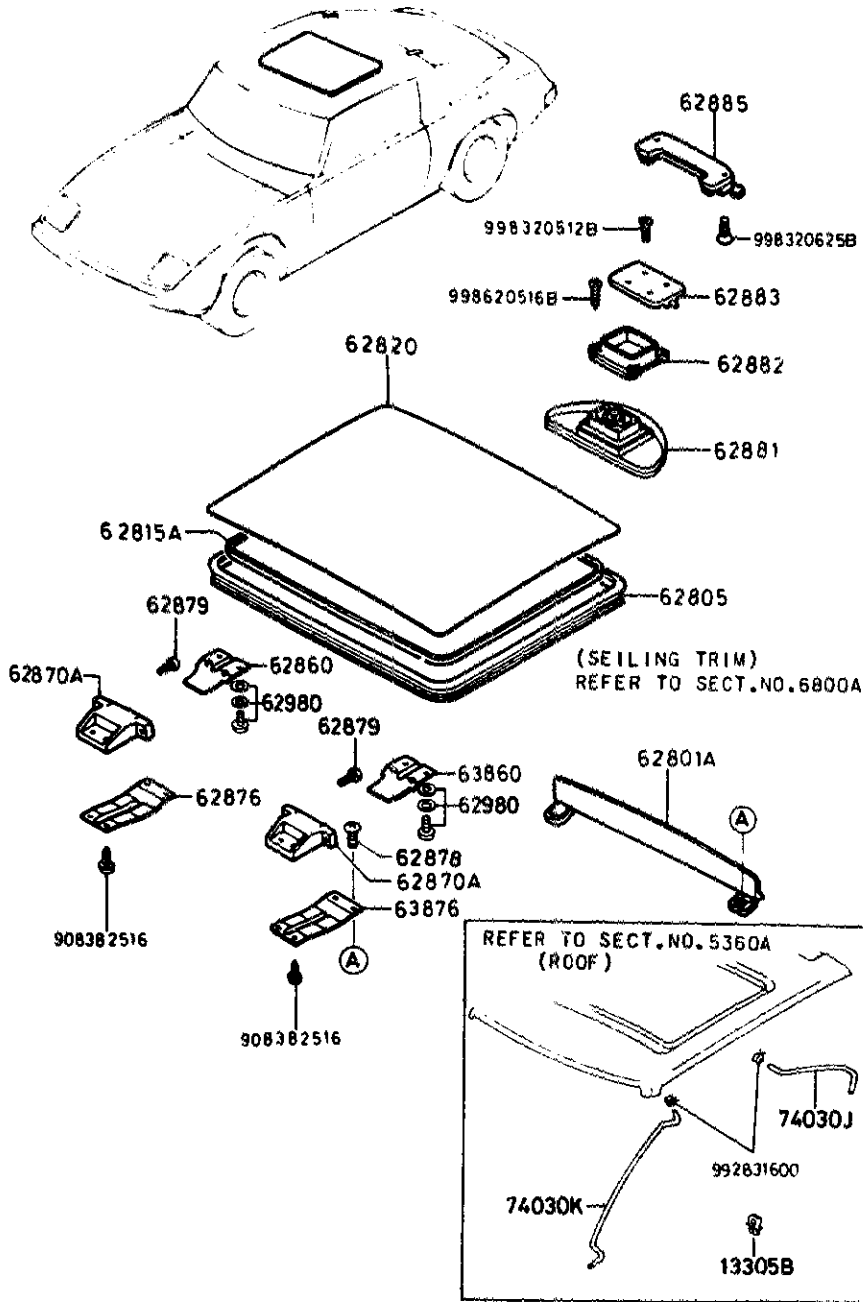


ITEM NO	D-CODE	DESCRIPTION	PART NO	QTY	MODEL/DESCRIPTION	REMARKS
51 881A		GARNISH (R), SIDE WINDOW	FA01-51-881A	1		
51 891A		GARNISH (L), SIDE WINDOW	FA01-51-891A	1		
51 902F		GASKET	1029-51-902	2		
63 901		GLASS, WINDSHIELD	FAS4-63-901E	1	(W/ SUN SHADE) (GS, GSI, GSI-SE)	
			FA72-63-901E	1	(W/ O SUN SHADE) (S)	
			FA66-63-901	1	13B (GSI-SE) FROM APR. '85 PROD.	FB33* .893746-
63 902		DAM. FRT. W./SHIELD GLASS	1243-63-902	1		
63 931		GLASS, REAR WINDOW	1482-75-890D	1	(USE W/ RE. WIPER) (GSI, GSI-SE)	
			8341-75-890D	1	(USE W/ O RR. WIPER) (S, GS)	
			FA67-75-890	1	13B (GSI-SE) FROM APR. '85 PROD.	FB33* .893746-
63 932		WEATHERSTRIP, RR. WINDOW	8871-62-761D	1		
63 935		MOULDING, REAR WINDOW	8871-63-935A	1		
63 941		GLASS (R), SIDE WINDOW	FA01-62-950D	1		
			FA66-62-950	1	13B (GSI-SE) FROM APR. '85 PROD.	FB33* .893746-
		GLASS (L), SIDE WINDOW	FA01-63-950D	1		
			FA66-63-950	1	13B (GSI-SE) FROM APR. '85 PROD.	FB33* .893746-
63 942B		DAM. SIDE WINDOW	8871-63-942	4		
63 960A		PLATE (R), GLASS	FA01-62-970	1		
63 970		MOULDING (R), GLASS	8871-62-960A	1		
63 970A		PLATE (L), GLASS	FA01-63-970	1		
63 980		MOULDING (L), GLASS	8871-63-960A	1		
68 861B		SPACER	8871-62-966A	2		
69 049D		NUT, SPEED	0187-69-049A	4		
70 447A		SPACER, 'A'	8871-63-911	2		
70 449A		SPACER, 'C'	0839-70-449	3		
70 526B		SHEET 'A', SIDE WINDOW	FA01-70-526	2		

SECTION INDEX -- BODY

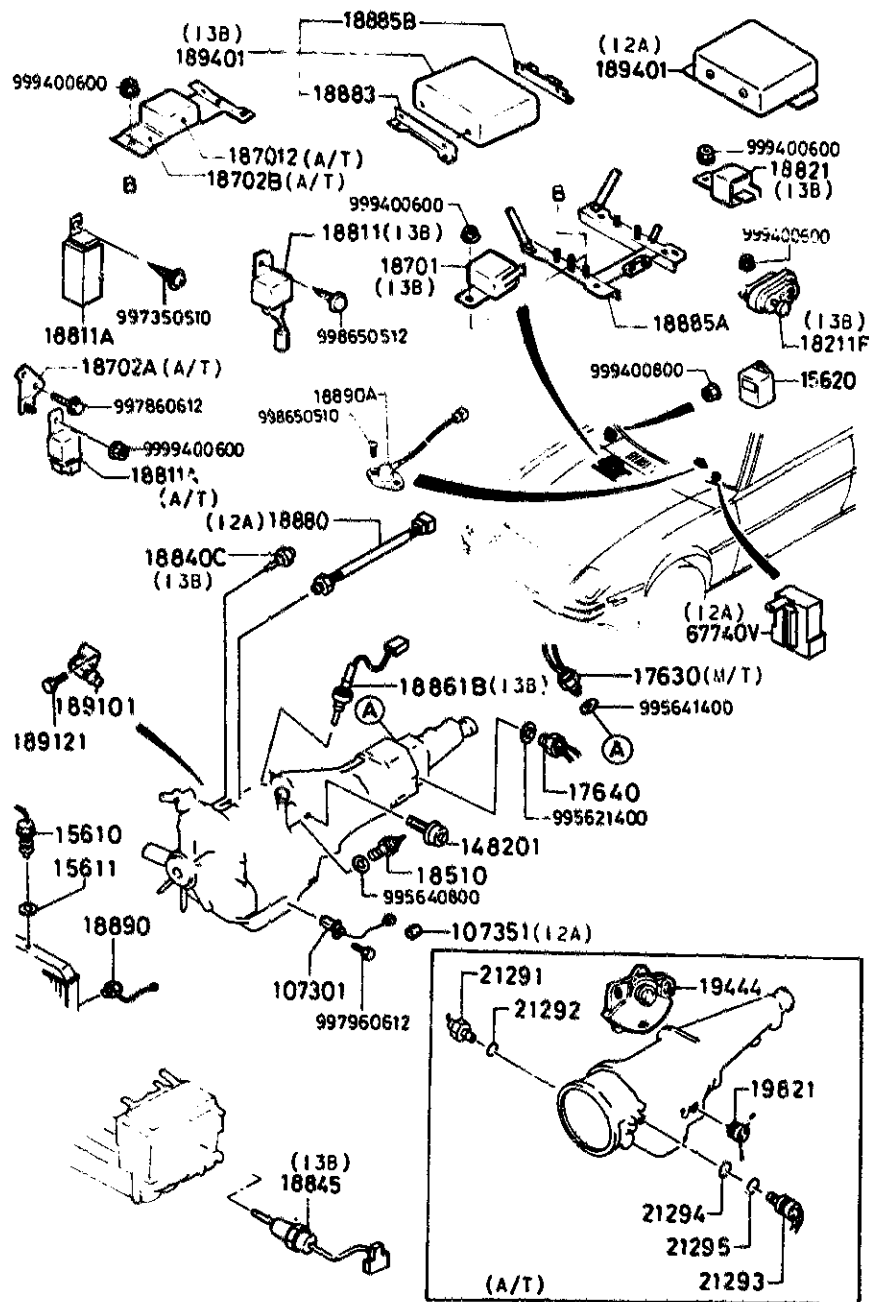
STARTING LOCATION	SECT. NO.	SECTION NAME	STARTING LOCATION	SECT. NO.	SECTION NAME	STARTING LOCATION	SECT. NO.	SECTION NAME
2 - C 3	0900A	KEY SETS	2 - L 7	6110A	HEATER UNIT COMPONENTS	2 - H 10	6703A	WIRE HARNESS (DOOR, FLOOR CEILING)
2 - D 3	5000A	FRONT BUMPER	2 - J 7	6115A	HEATER CONTROLS COMPONENTS	2 - H 10	6704A	WIRE HARNESS CLAMPS
2 - E 3	5005A	RADIATOR GRILLE	2 - K 7	6120A	HEATER BLOWER COMPONENTS	2 - J 10	6720A	WINDSHIELD WASHER
2 - F 3	5010A	REAR BUMPER	2 - L 7	6125B	AIR CONDITIONER	2 - K 10	6730A	WINDSHIELD WIPER
2 - G 3	5030A	WINDOW MOULDINGS	2 - M 7	6130B	AIR CONDITIONER (NIPPONDENSO)	2 - L 10	6740A	WIPER MOTOR COMPONENTS (FRONT)
2 - H 3	5040A	BODY MOULDINGS	2 - C 8	6132B	AIR CONDITIONER (WYNN'S)	2 - M 10	6750A	WINDOW WIPER & WASHER (REAR) (GSL, GSL-SE)
2 - J 3	5060A	SIDE PROTECTORS	2 - D 8	6140B	A/C COMPRESSOR BRACKETS (NIPPONDENSO)	2 - N 10	6760A	WINDOW WIPER MOTOR COMPONENTS (REAR) (GSL, GSL-SE)
2 - K 3	5103A	HEAD LAMPS	2 - F 8	6142B	A/C COMPRESSOR COMPONENTS (WYNN'S)	2 - C 11	6800A	CEILING TRIM
2 - L 3	5105A	FRONT COMBINATION LAMPS	2 - H 8	6145B	A/C COMPRESSOR COMPONENTS (NIPPONDENSO)	2 - D 11	6820A	PILLAR TRIM
2 - M 3	5110A	REAR COMBINATION LAMPS	2 - J 8	6150B	COOLING UNIT (NIPPONDENSO)	2 - F 11	6840A	TRIM & SCUFF PLATE
2 - N 3	5120A	LICENSE LAMPS	2 - L 8	6152B	COOLING UNIT (WYNN'S)	2 - H 11	6860A	FLOOR MATS & PADS
2 - C 4	5125A	INTERIOR LAMPS	2 - M 8	6230A	BACK DOOR MECHANISM	2 - K 11	6900A	VISOR, ASSIST HANDLE & MIRRORS
2 - D 4	5170A	ORNAMENTS	2 - N 8	6300A	WINDOW GLASSES	2 - N 11	6930A	CAUTION PLATES & LABEL
2 - E 4	5180A	COWL & EXTRACTOR GRILLES						
2 - F 4	5230A	HOOD						
2 - G 4	5310A	BODY PANELS (FRONT)	2 - C 9	6330A	SUNROOF (GSL, GSL-SE)			
2 - H 4	5320A	BODY PANELS (FENDER & WHEEL APRON)	2 - D 9	6600A	SWITCH & RELAY (ENGINE)			
2 - J 4	5330A	BODY PANELS (DASH & COWL PANEL)	2 - F 9	6610A	DASHBOARD SWITCHES (MANUAL OPERATING)			
2 - L 4	5340A	BODY PANELS (SIDE)	2 - G 9	6611A	COMBINATION SWITCH			
2 - M 4	5360A	BODY PANELS (ROOF)	2 - H 9	6612A	CLUSTER SWITCH (RIGHT SIDE)			
2 - N 4	5370A	BODY PANELS (FLOOR)	2 - J 9	6613A	CLUSTER SWITCH (LEFT SIDE)			
2 - C 5	5390A	FLOOR ATTACHMENTS	2 - L 9	6615A	POWER WINDOW SWITCH			
2 - D 5	5500A	DASHBOARD EQUIPMENT	2 - M 9	6620A	DOOR, PARKING LAMP & KICKDOWN SWITCHES			
2 - E 5	5520A	METER HOOD	2 - N 9	6630A	RELAY & CPU (BODY)			
2 - F 5	5530A	SPEEDOMETER CABLE	2 - C 10	6680A	AUDIO SYSTEMS (RADIO & TAPE DECK)			
2 - G 5	5540A	METERS	2 - D 10	6682A	AUDIO SYSTEMS (ANTENNA & SPEAKER)			
2 - H 5	5550A	CLUSTER SWITCH COVER	2 - E 10	6700A	WIRE HARNESS (FRONT & REAR)			
2 - J 5	5560A	DASHBOARD & RELATED	2 - F 10	6701A	WIRE HARNESS (ENGINE & TRANSMISSION)			
2 - L 5	5570A	CONSOLE	2 - G 10	6702A	WIRE HARNESS (DASHBOARD)			
2 - M 5	5580A	VENTILATOR						
2 - C 6	5700A	FRONT SEAT						
2 - D 6	5790A	SEAT BELTS						
2 - E 6	5800A	FRONT DOOR						
2 - F 6	5830A	FRONT DOOR MECHANISMS						
2 - G 7	5840A	FRONT DOOR TRIM & RELATED PARTS						
2 - H 7	6100A	HEATER						

**6330A-1 SUNROOF
(GSL, GSL-SE)**



ITEM NO	D-CODE	DESCRIPTION	PART NO.	QTY	MODEL/DESCRIPTION	REMARKS
13 305B		CLIP, DRAIN HOSE	8871-13-305	2		
62 801A		DEFLECTOR	FA56-62-801A	1		
		RED	16			
		OFF-BLACK	64			
		BROWN	77			
62 805		WEATHERSTRIP, ROOF	8970-62-805B	1		
62 815A		PROTECTOR, SUNROOF	8970-62-815B	1		
62 820		SUNROOF	8346-62-820A	1		
62 860		HINGE 'A' (R), SUNROOF	8346-62-875A	1		
62 870A		HINGE 'B', ROOF	8346-62-871A	2		
62 876		REINFORCEMENT (P), HINGE	8346-62-876	1		
62 878		SCREW	8346-62-878A	4		
62 879		SCREW	8346-62-879	4		
62 881		LATCH, ROTARY	FA04-62-881A	1		
		RED	11			
		OFF-BLACK	65			
		BROWN	78			
62 882		COVER LATCH	8346-62-882	1		
62 883		PLATE LOCK	8346-62-883	1		
62 885		HOOK SLIDE	8346-62-885	1		
62 980		SCREW	8316-62-980	4		
63 860		HINGE 'A' (L), SUNROOF	8346-63-875A	1		
63 876		REINF. (L), HINGE	8346-63-876	1		
74 030J		PIPE, VINYL	8973-56-066	2		
74 030K		HOSE, DRAIN	8973-56-065B	2		

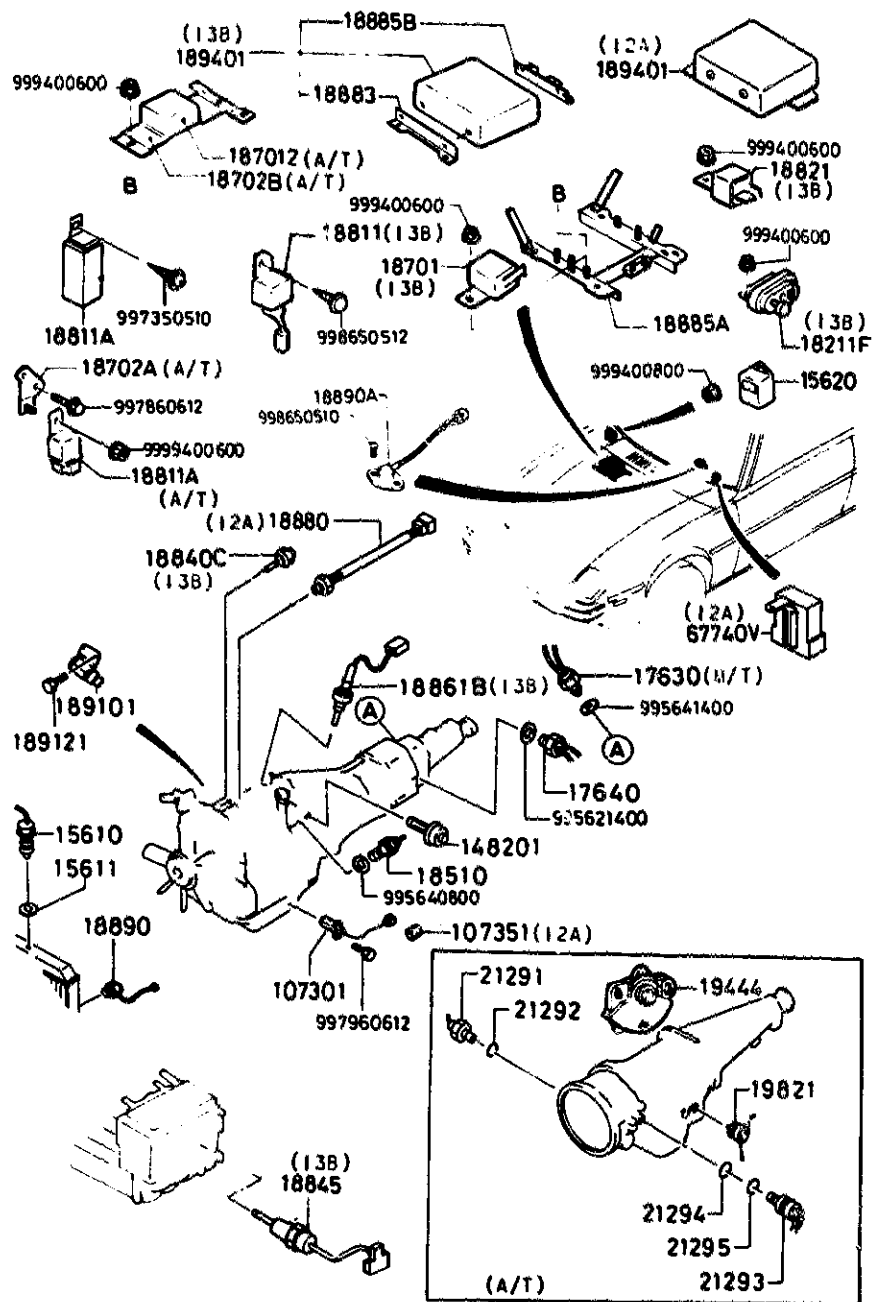
6600A-1 SWITCH & RELAY (ENGINE)



ITEM NO.	D-CODE	DESCRIPTION	PART NO.	QTY	MODEL/DESCRIPTION	REMARKS
10 7301		SENSOR, OIL LEVEL	N201-10-730	1		
10 7351		PROTECTOR	N231-10-735	1	12A (S, GS, GSI)	
14 8201		GAUGE UNIT, OIL PRESSURE	N201-14-820	1		
15 610		SENSOR, WATER LEVEL	8553-15-610B	1		
15 611		GASKET	8553-15-611	1		
15 620		UNIT, WATER LEVEL SENSOR	8248-15-620	1		
17 63C		SWITCH	8118-17-640B	1	M/T (CLUTCH & NEUTRAL SAFETY)	
17 640		SWITCH, BACK-UP LAMP	1391-17-640	1	12A M/T (S, GS, GSI)	
			8130-17-640C	1	13B (GSL-SE)	
18 211F		SENSOR, VACUUM	N304-18-211	1	(MITSUBISHI MAKE) 13B (GSL-SE)	
18 510		UNIT, HEAT GAUGE	8569-18-510A	1		
18 701		CONTROL UNIT	N304-18-701A	1	13B (GSL-SE) (RELIEF SOLENOID VALVE)	
18 7012		UNIT, CONTROL	N242-18-701	1	A/T (OVERDRIVE SYSTEM)	
18 702A		BRACKET, RELAY	FA54-67-742	1	A/T	
18 702B		BRACKET, CONTROL UNIT	N252-18-785B	1	A/T	
18 811		RELAY, MAIN	N304-18-811A	1	13B (GSL-SE)	
18 811A		RELAY, CONTROL	G045-67-740A	1	A/T (KICKDOWN RELAY)	
18 821		RELAY, CIRCUIT OPEN	N237-18-821A	1	13B (GSL-SE)	
18 840C		SENSOR, WATER TEMPERATURE	8574-18-840	1	13B (GSL-SE)	
18 845		SENSOR, AIR TEMPERATURE	N236-18-845A	1	13B (GSL-SE)	
18 861B		SENSOR, OXYGEN	N304-18-861	1	13B (GSL-SE)	
18 880		SWITCH, TEMP	B341-18-880	1	12A (S, GS, GSI)	
18 883		BRACKET, COMPUTER	N304-18-886	1	13B (GSL-SE)	
18 885A		BRACKET, CONTROL UNIT	N304-18-885B	1		
18 885B		BRACKET, COMPUTER	HE21-18-885A	1	13B (GSL-SE)	
18 890		SWITCH, THERMO	8182-18-970A	1	(# 2 WATER TEMP. SWITCH)	
18 890A		SWITCH, THERMO	N233-18-890	1	(HEAT HAZARD SENSOR)	
18 9101		SENSOR, THROTTLE	1480-18-910B	1	12A (S, GS, GSI)	
			N236-18-911	1	13B (GSL-SE)	
18 9121		BOLT	1480-18-912B	2	12A (S, GS, GSI)	
			N304-18-912	2	13B (GSL-SE)	
18 9401		CONTROL UNIT (EMISSION)	N249-18-941D	1	12A M/T (S, GS, GSI)	
		REFER TO PARTS BULL. NOS. R-1 & R-3 FOR MORE INFO.				
			N250-18-941C	1	A/T 12A (S, GS, GSI)	
			N304-18-881R	1	13B (GSL-SE), REMANUFACTURED	
19 444		SWITCH, INHIBITOR	BU06-19-444B	1		
19 821		SOLENOID, DOWN SHIFT	BU02-19-821	1	A/T	

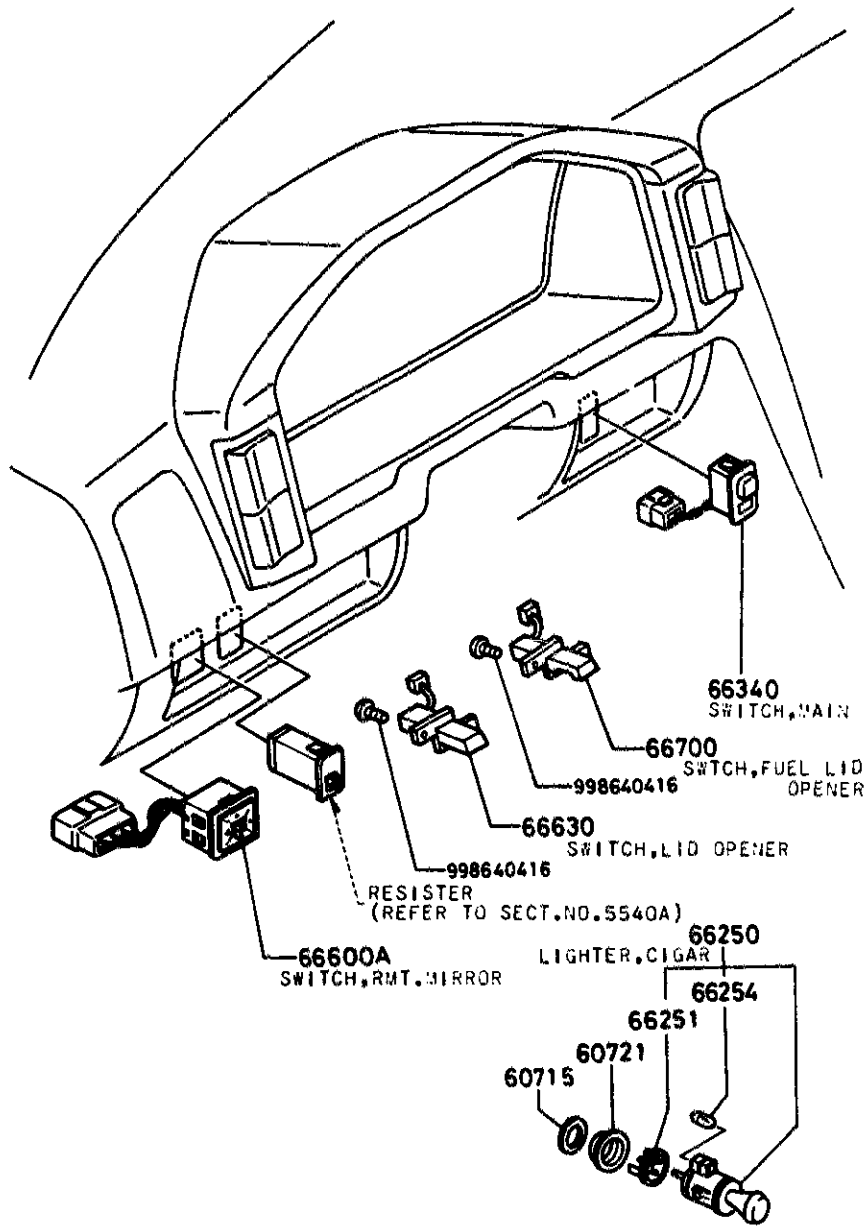
ON

6600A-2 SWITCH & RELAY (ENGINE)



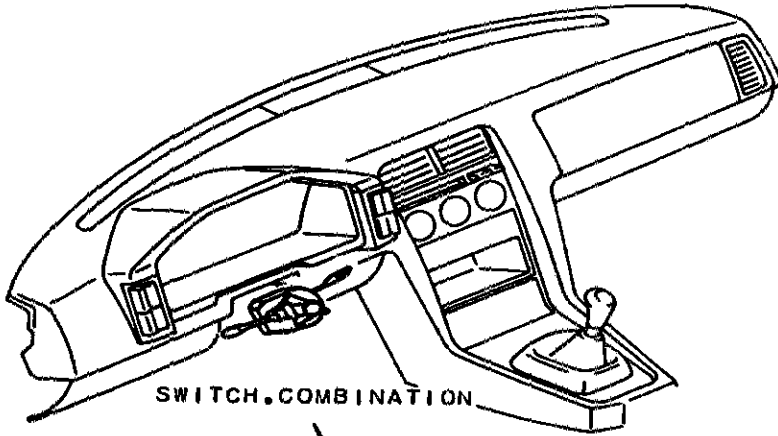
ITEM NO.	D-CODE	DESCRIPTION	PART NO.	QTY	MODEL/DESCRIPTION	REMARKS
21 291		SWITCH, OIL PRESSURE	BU01-21-291A	1	A/T	
21 292		O-RING	BU01-21-292	1	A/T	
21 293		SOLENOID, OVER DRIVE	BU01-21-293A	1	A/T	
21 294		O-RING	BU01-21-294	1	A/T	
21 295		O-RING	BU01-21-295	1	A/T	
17 740V		RELAY, FUEL PUMP CUT	FA55-67-740	1	12A	
		(GENERIC PICTURE IS SQUARE. PART IS ACTUALLY ROUND)				

**6610A-1 DASHBOARD SWITCHES
(MANUAL OPERATING)**

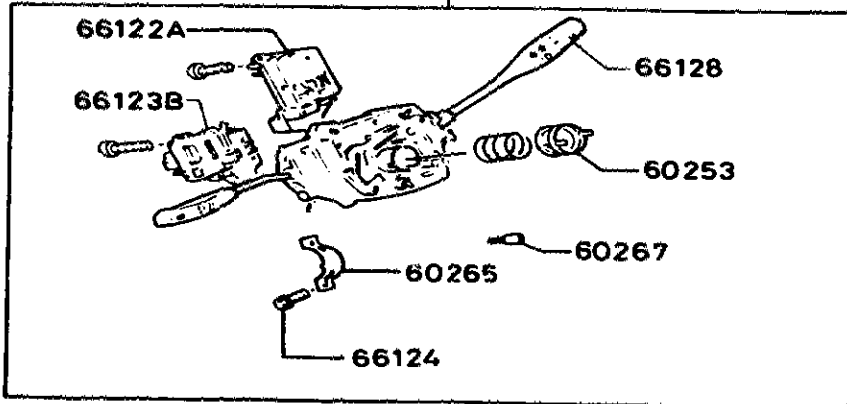


ITEM NO.	D-CODE	DESCRIPTION	PART NO.	QTY	MODEL/DESCRIPTION	REMARKS
60 715		SHIELD, HEAT	8871-66-242	1		
60 721		PROTECTOR	H001-66-241	1		
66 250		LIGHTER, CIGAR	FA54-66-250A	1		
66 251		RING, ILLUMINATION	8182-66-251	1		
66 254		BULB, CIGAR LIGHTER	0000-11-0293	1		
66 340		SWITCH, MAIN	FA54-66-340A	1		
66 600A		SWITCH, REMOTE MIRROR	FA54-66-600	1		
66 630		SWITCH, TRUNK LID OPENER	H044-66-630B	1		
66 700		SWITCH, FUEL LID OPENER	H044-66-700B	1		
					USE W/ ACC (GSL, GSL-SB)	

6611A-1 COMBINATION SWITCH



66110

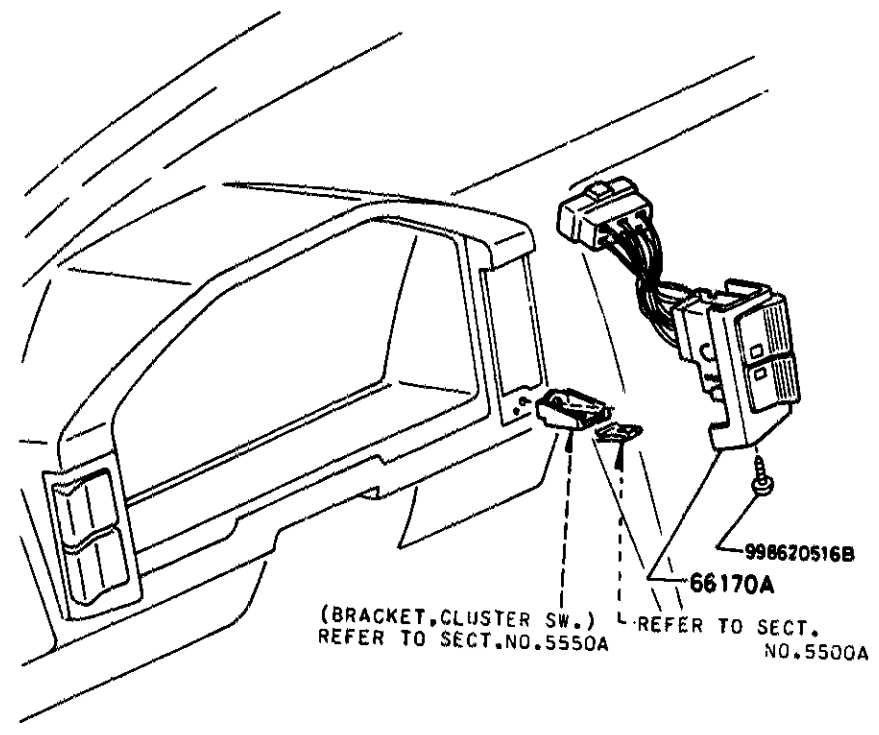


ITEM NO.	D-CODE	DESCRIPTION	PART NO.	QTY	MODEL/DESCRIPTION	REMARKS
60 253		CAM, CANCEL	BA29-66-126	1		
60 265		HOLDER, BAND	FA54-66-129	1		
60 267		CONTACT, HORN	8182-66-127	1		
66 110		SWITCH, COMBINATION	FA54-66-120C	1	(USE W/O ACC) (S, GS)	
			FA58-66-120C	1	(USE W/ ACC) (GSL, GSL-SE)	
66 122A		SWITCH, LIGHT & DIMMER	FA54-66-122	1		
66 123B		SWITCH, WIPER	FA54-66-123	1		
66 124		BOLT, BAND HOLDER	H001-66-124	1		
66 128		SWITCH, CRUISE	FA02-66-128	1	(USE W/ ACC) (GSL, GSL-SE)	

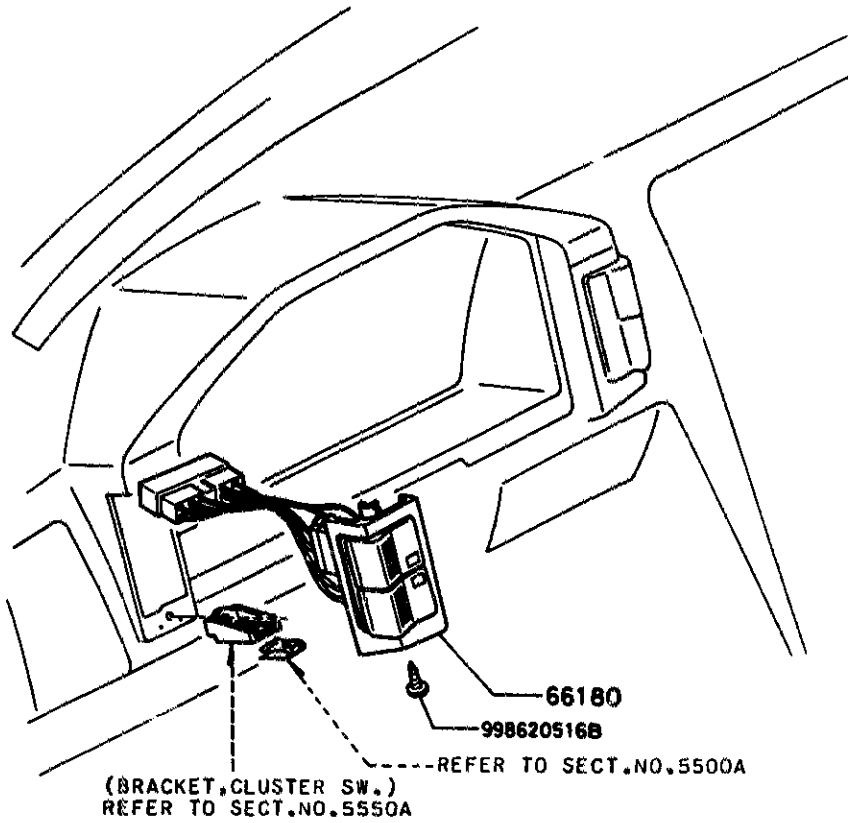
ON

6612A-1 CLUSTER SWITCH (RIGHT SIDE)

ITEM NO.	D-CODE	DESCRIPTION	PART NO.	QTY	MODEL/DESCRIPTION	REMARKS
66 170A		SWITCH (R), CLUSTER	FA54-66-170C	1	(USE W/O RR. WIPER) (S, GS)	
		RED/BLACK	10			
		OFF-BLACK/BLACK	65			
		BROWN/BLACK	78			
		SWITCH, CLUSTER	FA55-66-170C	1	(USE W/ RR. WIPER) (GSI, GSI-SE)	
		RED/BLACK	10			
		OFF-BLACK/BLACK	65			
		BROWN/BLACK	78			



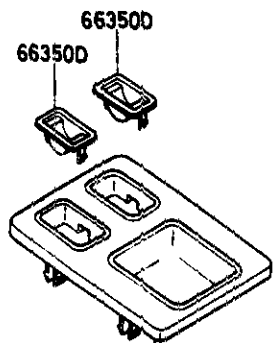
**6613A-1 CLUSTER SWITCH
(LEFT SIDE)**



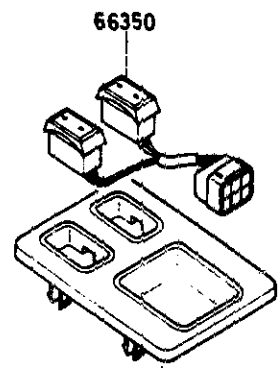
ITEM NO.	D-CODE	DESCRIPTION	PART NO.	QTY	MODEL/DESCRIPTION	REMARKS
66 180		SWITCH (L), CLUSTER	FA54-66-180C	1		
		RED/BLACK	10			
		OFF-BLACK/BLACK	65			
		BROWN/BLACK	78			

6615A-1 POWER WINDOW SWITCH

ITEM NO.	D-CODE	DESCRIPTION	PART NO.	QTY	MODEL/DESCRIPTION	REMARKS
66 350		SWITCH, POWER WINDOW	FA54-66-350	1	(USE W/ POWER WINDOW) (GSL, GSL-SE)	
66 350D		BOX, COIN	FAS5-66-350	2	(USE W/O POWER WINDOW) (S, GS)	

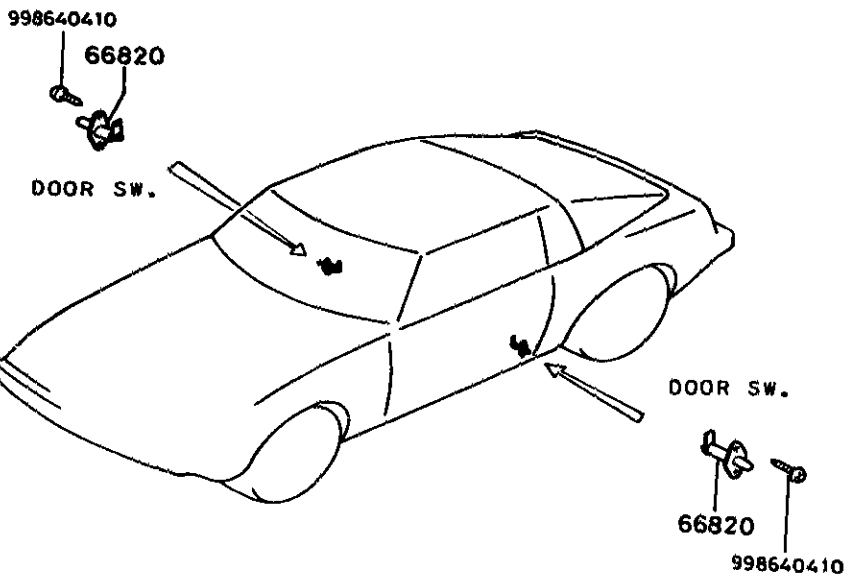
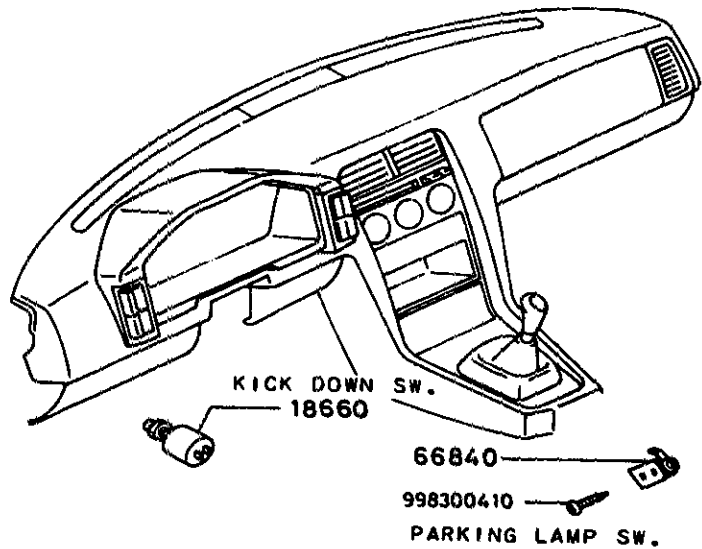


REFER TO SECT.NO.5570A



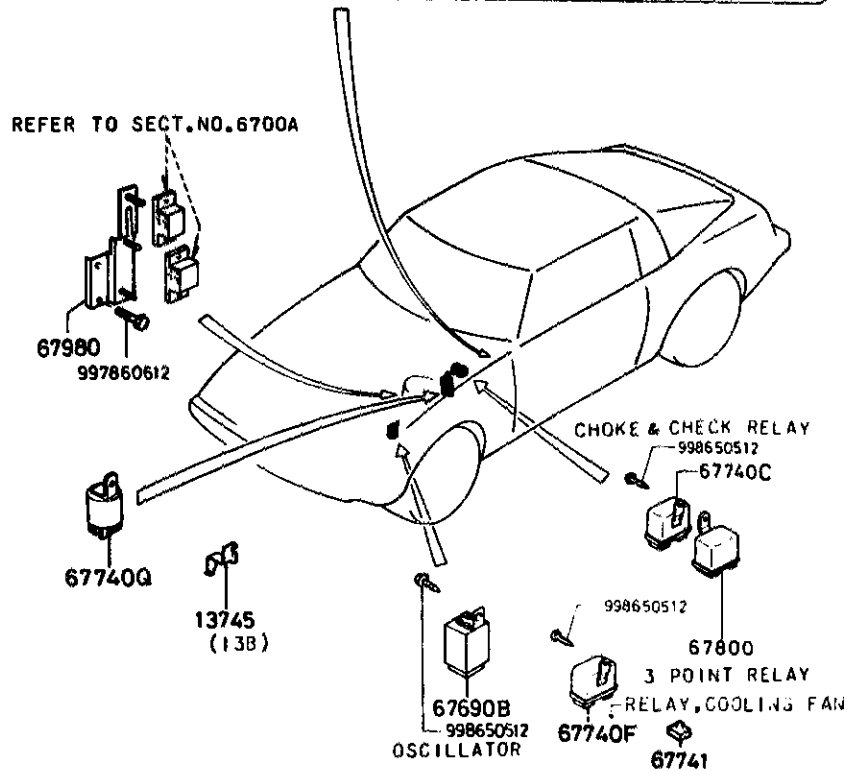
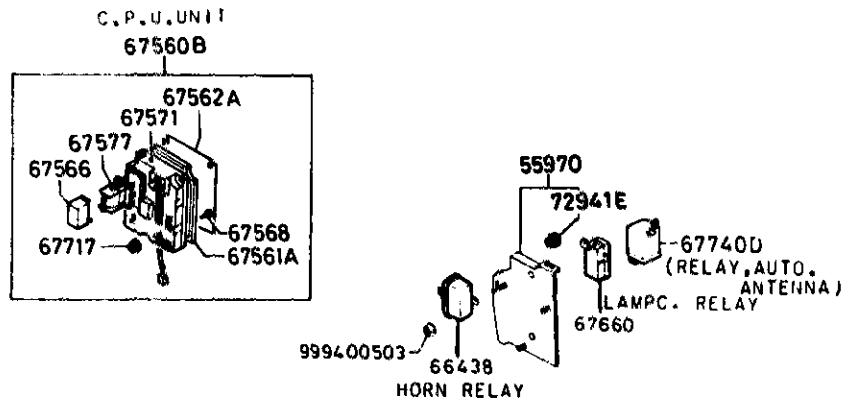
REFER TO SECT.NO.5570A

6620A-1 DOOR, PARKING LAMP & KICKDOWN SWITCHES



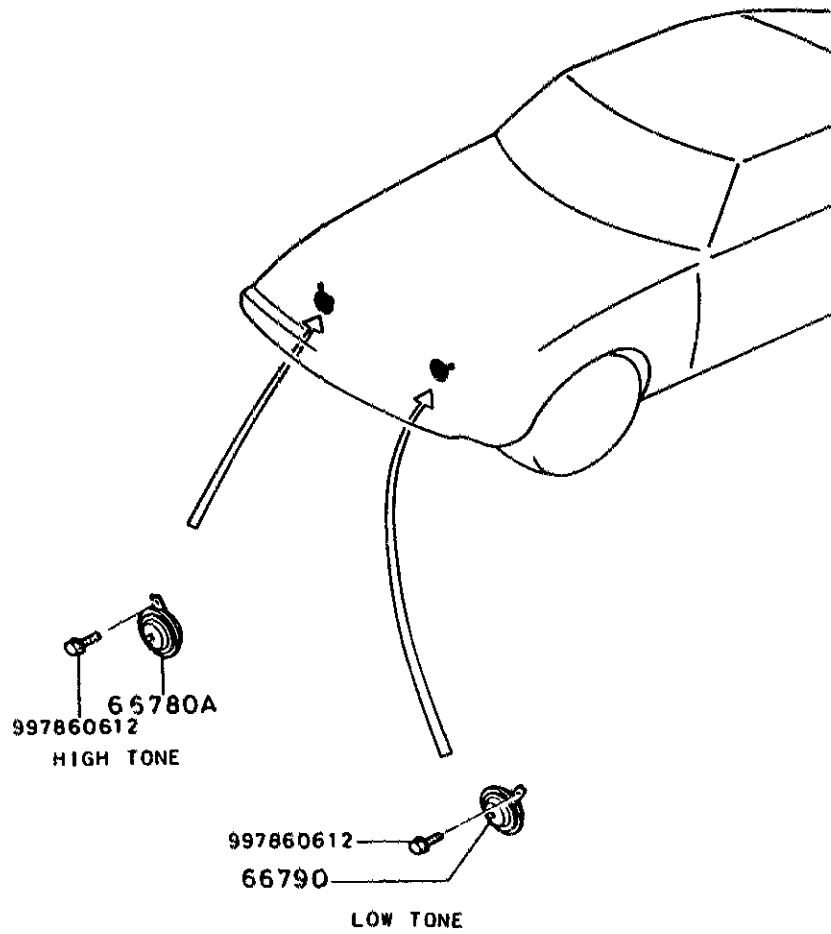
ITEM NO.	D-CODE	DESCRIPTION	PART NO.	QTY	MODEL/DESCRIPTION	REMARKS
18 660		SWITCH, KICK DOWN	F034-66-470	1	A/T	
66 820		SWITCH, DOOR	8001-66-540	2		
66 840		SWITCH, PARKING LAMP	8871-66-450	1		

6630A-1 RELAY & CPU (BODY)



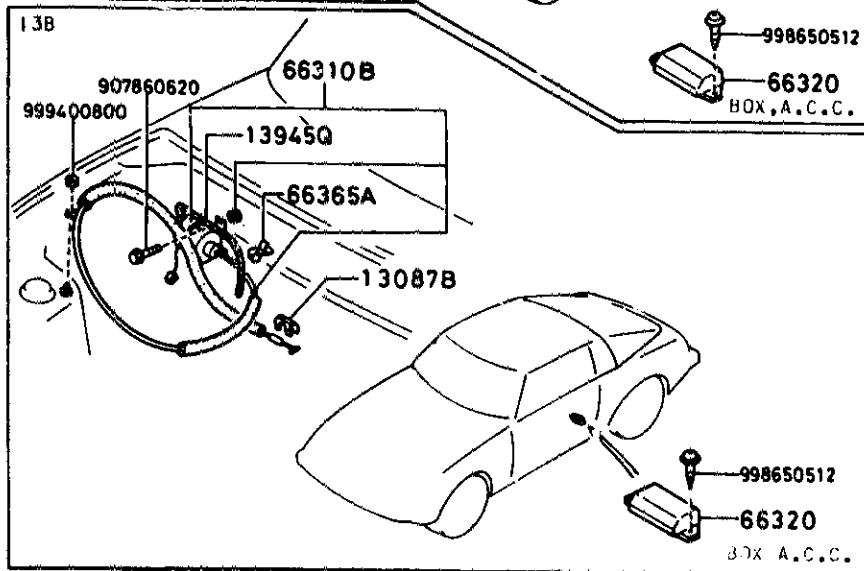
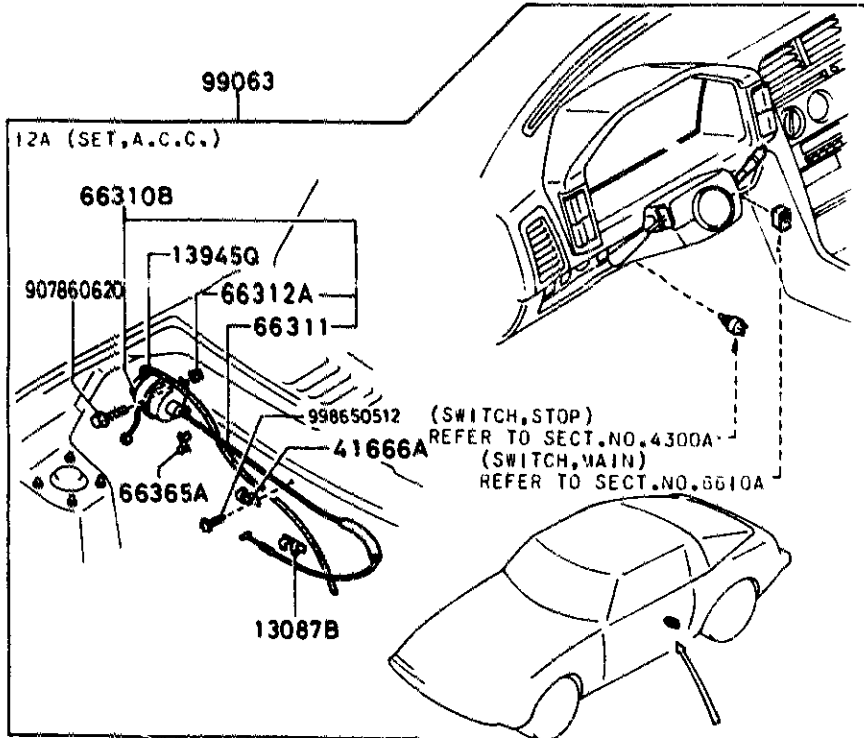
ITEM NO.	D-CODE	DESCRIPTION	PART NO.	QTY	MODEL DESCRIPTION	REMARKS
13 745		BRACKET, RELAY	N304-13-745	1	(USE W/ P/S)	
55 970		BRACKET	FA54-66-821B	1		
66 438		RELAY, HORN	FA01-66-810A	1		
67 560B		UNIT, CPU	FA54-67-560	1		
67 561A		CIRCUIT	FA64-67-573	1		
67 562A		PLATE	FA02-67-574	1		
67 566		COVER, CONTROL UNIT	FA02-67-572	1		
67 568		SCREW, TAPPING	8545-67-568	10		
67 571		CASE, CONTROL UNIT	FA02-67-571	1		
67 577		RELAY, FLASHER	FA02-67-577	1		
67 660		RELAY, LAMP CHECKER	BE32-67-680A	1		
67 690B		OSCILLATOR	FA30-67-690A	1		
67 717		BUSHING	0866-67-717	3		
67 740C		RELAY, CHOKE & CHECK	8173-67-740A	1		
67 740D		RELAY, AUTO ANTENNA	FA01-67-740	1	THRU FEB. '85 PROD.	FB33* .800001-887556
			FA54-66-931	1	FROM MAR. '85 PROD.	FB33* .887557-
67 740F		RELAY, COOLING FAN	B002-67-740A	1	(USE W/ P/S)	
67 740G		RELAY, CUT-AIR CONTROL	B002-67-740A	1	13B (GSL-SE)	
67 741		CONNECTOR, SHORT	FA54-67-741	1	(USE W/O P/S)	
67 800		RELAY, 3-POINT	1480-67-740	1	(HOT START RELAY)	
67 980		BRACKET, FUSIBLE LINK	FA66-67-980A	1		
72 941E		RUBBER, STOPPER	0208-72-941	1		

6635A-1 HORN



ITEM NO.	D-CODE	DESCRIPTION	PART NO	QTY	MODEL DESCRIPTION	REMARKS
66 780A		HORN, HIGH TONE	BC22-66-780B	1		
66 790		HORN, LOW TONE	BC22-66-790B	1		

6640A-1 AUTO CRUISE CONTROLS



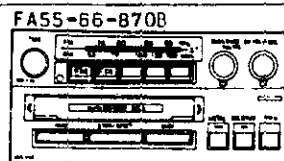
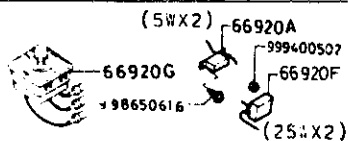
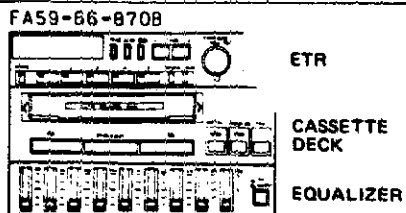
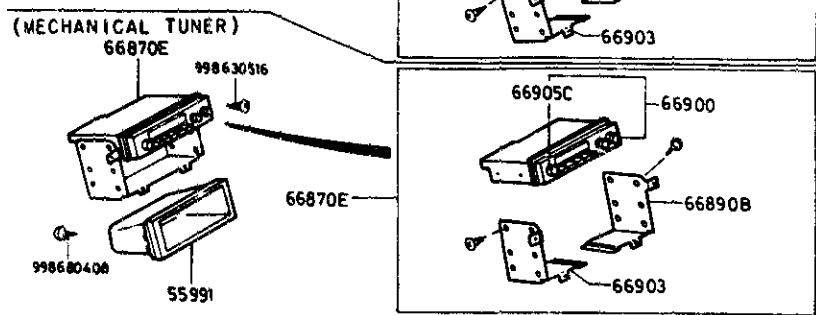
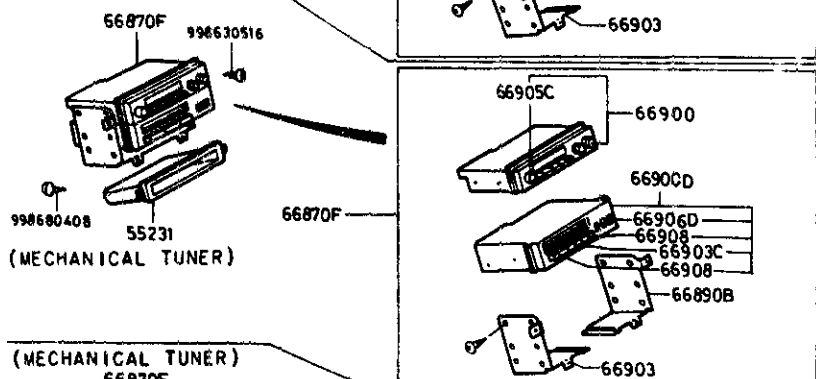
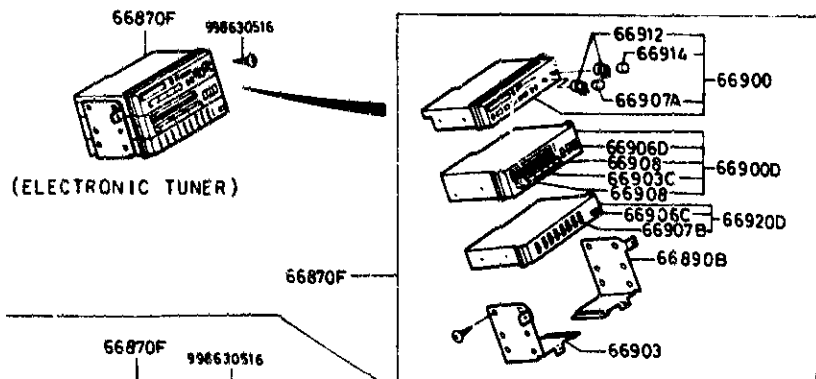
ITEM NO.	D-CODE	DESCRIPTION	PART NO.	QTY	MODEL/DESCRIPTION	REMARKS
13 087B		SPRING	8871-13-087A	1		
13 945Q		PIPE	FA43-66-361A	1	12A (S. GS. GSU)	
			FA66-66-361	1	13B (GSL-SE)	
41 666A		CLIP	FA43-66-315	1	12A (S. GS. GSU)	
66 310B		ACTUATOR, ACC	FA43-66-310B	1	12A (S. GS. GSU)	
			FA66-66-310B	1	13B (GSL-SE)	
66 311		WIRE, ACC	FA43-66-311	1	12A (S. GS. GSU)	
66 31: A		PROTECTOR	FA03-66-312	2	12A (S. GS. GSU)	
66 320		BOX, ACC	FA30-66-320B	1	12A (S. GS. GSU)	
			FA66-66-320	1	13B (GSL-SE)	
66 365A		CLIP	FA43-66-365	2	12A (S. GS. GSU)	
				1	13B (GSL-SE)	
99 063		AUTO CRUISE CONTROL SET	FA54-99-063A	1		

SECTION INDEX -- BODY

STARTING LOCATION	SECT. NO.	SECTION NAME	STARTING LOCATION	SECT. NO.	SECTION NAME	STARTING LOCATION	SECT. NO.	SECTION NAME
2 - C 3	0900A	KEY SETS	2 - I 7	6110A	HEATER UNIT COMPONENTS	2 - H10	6703A	WIRE HARNESS (DOOR, FLOOR CEILING)
2 - D 3	5000A	FRONT BUMPER	2 - J 7	6115A	HEATER CONTROLS COMPONENTS	2 - I10	6704A	WIRE HARNESS CLAMPS
2 - E 3	5005A	RADIATOR GRILLE	2 - K 7	6120A	HEATER BLOWER COMPONENTS	2 - J10	6720A	WINDSHIELD WASHER
2 - F 3	5010A	REAR BUMPER	2 - L 7	6125B	AIR CONDITIONER	2 - K10	6730A	WINDSHIELD WIPER
2 - G 3	5030A	WINDOW MOULDINGS	2 - M 7	6130B	AIR CONDITIONER (NIPPONDENSO)	- L10	6740A	WIPER MOTOR COMPONENTS (FRONT)
2 - H 3	5040A	BODY MOULDINGS	2 - C 8	6132B	AIR CONDITIONER (WYNN'S)	2 - M10	6750A	WINDOW WIPER & WASHER (REAR) (GSL, GSL-SE)
2 - I 3	5060A	SIDE PROTECTORS	2 - D 8	6140B	A/C COMPRESSOR BRACKETS (NIPPONDENSO)	2 - N10	6760A	WINDOW WIPER MOTOR COMPONENTS (REAR) (GSL, GSL-SE)
2 - J 3	5100A	HEAD LAMPS	2 - F 8	6142B	A/C COMPRESSOR COMPONENTS (WYNN'S)			
2 - K 3	5103A	HEAD LAMP RETRACTOR	2 - H 8	6145B	A/C COMPRESSOR COMPONENTS (NIPPONDENSO)	2 - C11	6800A	CEILING TRIM
2 - L 3	5105A	FRONT COMBINATION LAMPS	2 - J 8	6150B	COOLING UNIT (NIPPONDENSO)	2 - D11	6820A	PILLAR TRIM
2 - M 3	5110A	REAR COMBINATION LAMPS	2 - L 8	6152B	COOLING UNIT (WYNN'S)	2 - F11	6840A	TRIM & SCUFF PLATE
2 - N 3	5120A	LICENSE LAMPS	2 - M 8	6230A	BACK DOOR MECHANISM	2 - I11	6860A	FLOOR MATS & PADS
2 - C 4	5125A	INTERIOR LAMPS	2 - N 8	6300A	WINDOW GLASSES	2 - J11	6870A	SERVICE TOOLS
2 - D 4	5170A	ORNAMENTS	2 - C 9	6330A	SUNROOF (GSL, GSL-SE)	2 - K11	6900A	VISOR, ASSIST HANDLE & MIRRORS
2 - E 4	5180A	COWL & EXTRACTOR GRILLES	2 - D 9	6600A	SWITCH & RELAY (ENGINE)	2 - N11	6930A	CAUTION PLATES & LABEL
2 - F 4	5230A	HOOD	2 - F 9	6610A	DASHBOARD SWITCHES (MANUAL OPERATING)			
2 - G 4	5310A	BODY PANELS (FRONT)	2 - G 9	6611A	COMBINATION SWITCH			
2 - H 4	5320A	BODY PANELS (FENDER & WHEEL APRON)	2 - H 9	6612A	CLUSTER SWITCH (RIGHT SIDE)			
2 - I 4	5330A	BODY PANELS (DASH & COWL PANEL)	2 - I 9	6613A	CLUSTER SWITCH (LEFT SIDE)			
2 - J 4	5340A	BODY PANELS (SIDE)	2 - J 9	6615A	POWER WINDOW SWITCH			
2 - K 4	5360A	BODY PANELS (ROOF)	2 - K 9	6620A	DOOR, PARKING LAMP & KICKDOWN SWITCHES			
2 - L 4	5370A	BODY PANELS (FLOOR)	2 - L 9	6630A	RELAY & CPU (BODY)			
2 - M 4	5390A	FLOOR ATTACHMENTS	2 - M 9	6635A	HORN			
2 - C 5	5500A	DASHBOARD EQUIPMENT	2 - N 9	6640A	AUTO CRUISE CONTROLS			
2 - F 5	5520A	METER HOOD						
2 - G 5	5530A	SPEEDOMETER CABLE	2 - C10	6680A	AUDIO SYSTEMS (RADIO & TAPE DECK)			
2 - H 5	5540A	METERS	2 - D10	6682A	AUDIO SYSTEMS (ANTENNA & SPEAKER)			
2 - I 5	5550A	CLUSTER SWITCH COVER	2 - E10	6700A	WIRE HARNESS (FRONT & REAR)			
2 - J 5	5560A	DASHBOARD & RELATED	2 - F10	6701A	WIRE HARNESS (ENGINE & TRANSMISSION)			
2 - L 5	5570A	CONSOLE	2 - G10	6702A	WIRE HARNESS (DASHBOARD)			
2 - N 5	5580A	VENTILATOR						
2 - C 6	5700A	FRONT SEAT						
2 - H 6	5790A	SEAT BELTS						
2 - I 6	5800A	FRONT DOOR						
2 - J 6	5830A	FRONT DOOR MECHANISMS						
2 - C 7	5840A	FRONT DOOR TRIM & RELATED PARTS						
2 - H 7	6100A	HEATER						

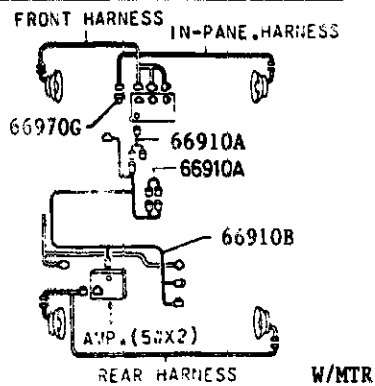
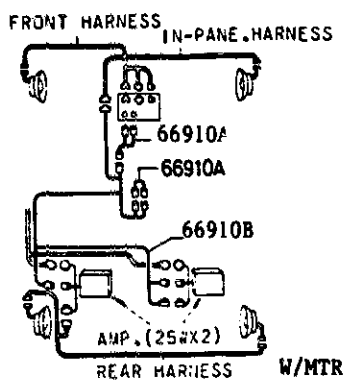
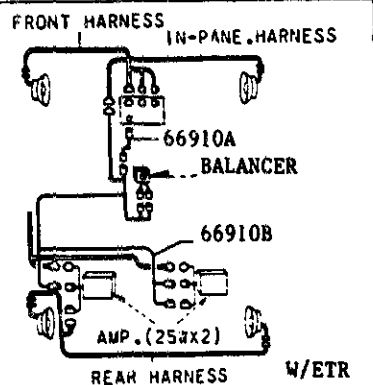
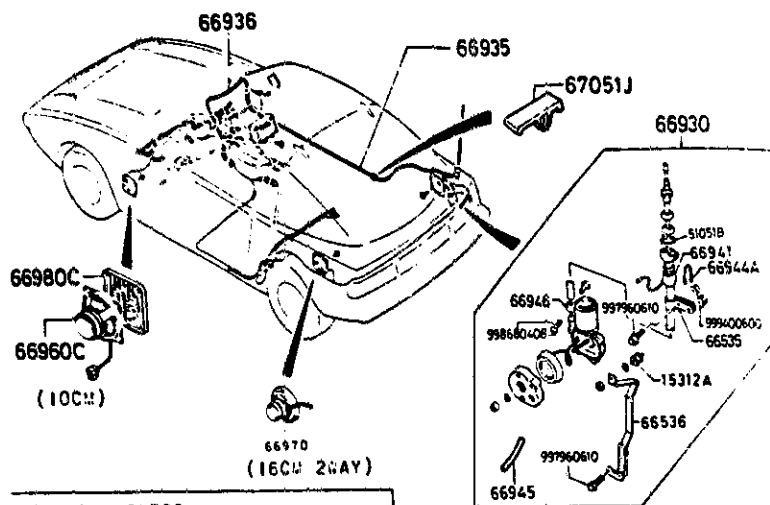
2 - B10

6680A-1 AUDIO SYSTEMS (RADIO & TAPE DECK)



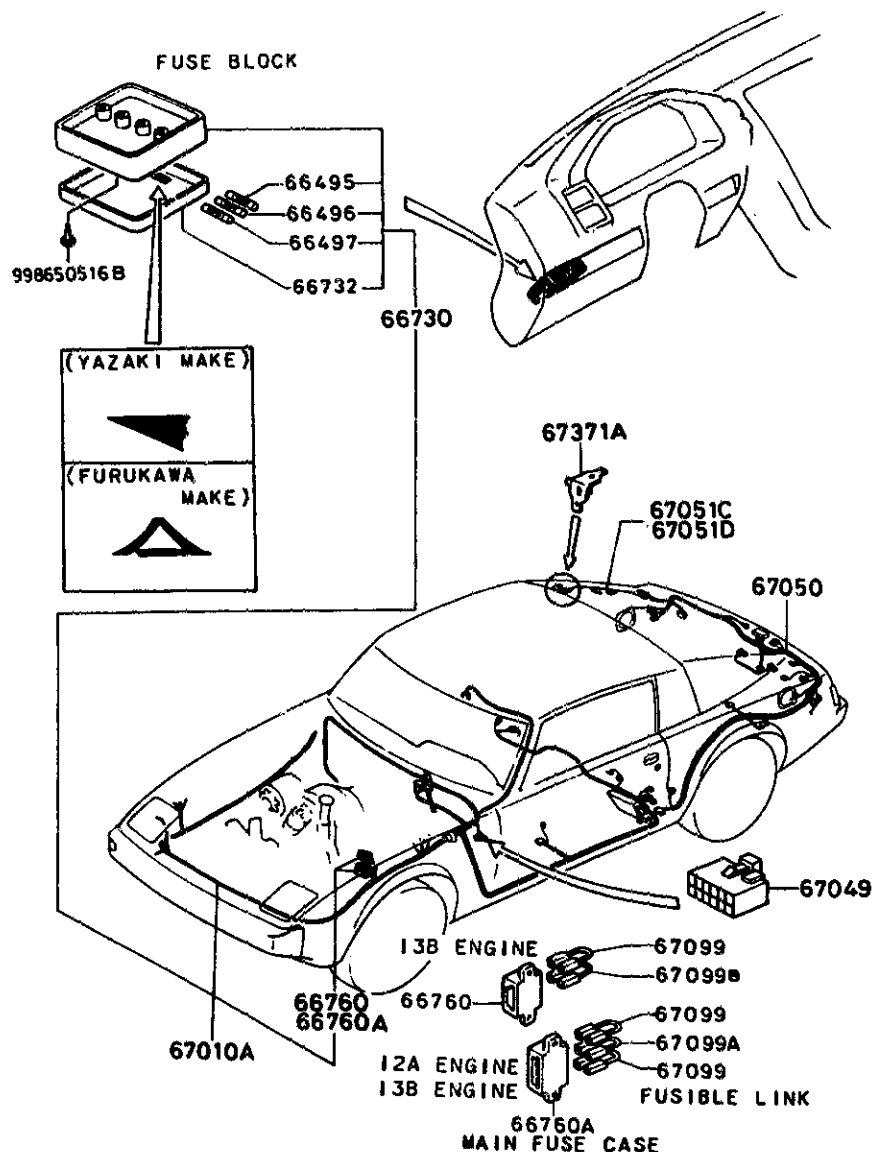
ITEM NO.	D-CODE	DESCRIPTION	PART NO.	QTY	MODEL/DESCRIPTION	REMARKS
55 231		STORAGE BOX	FA56-55-231B	1	IF NOT EQUIPPED W/ GEQ	
		BLACK	00		W/ RADIO & CASSETTE)	
55 991		STORAGE BOX	FA55-55-231D	1	USE IF EQUIPPED W/ RADIO ONLY)	
		BLACK	00			
		BLACK	FA60-55-231A	1	FACE PLATE W/O RADIO	
		BLACK	00			
66 870E		MTR	0000-81-3015	1	(AM/FM PUSH-BUTTON-S. GS)	
66 890B		BRACKET	0000-81-9006-KT	1	(ALSO INCLUDES D-CODE 66-903)	
66 900		RADIO	0000-81-3015	1	MTR AM/FM PUSH-BUTTON-S. GS	
			0000-81-9006	1	ETR-GSL, GSL-SE	
66 900D		DECK, TAPE-CASSETTE	0000-81-8006-86	1		
66 903		BRACKET, TUNER	0000-81-9006-KT	1	ALSO INCLUDES D-CODE 66890B	
66 903C		KNOB, STOP			NOT AVAILABLE	
66 905C		KNOB SET, MTR CONTAINS ALL KNOBS FOR RADIO	0000-81-3015-KB	1	(S, GS)	
66 906C		KNOB SET, EQUALIZER	0000-81-302A-KB	1		
66 906D		KNOB	FA55-66-906	3		
66 907A		KNOB SET, ETR-CONTAINS ALL KNOBS FOR RADIO	0000-81-3105-KB	1	(GSL, GSL-SE)	
66 907B		KNOB, EQUALIZER 'BAND'			NOT AVAILABLE	
66 908		KNOB, PLAYER			NOT AVAILABLE	
66 912		KNOB, LARGE			USE D-CODE 66907A	
66 914		KNOB, VOLUME			USE D-CODE 66907A	
66 920A		AMPLIFIER, MAIN	0000-81-142C-83	1	(5WX2) (USE W/ MTR)	
66 920D		EQUALIZER, GRAPHIC	0000-81-302A	1		
66 920F		AMPLIFIER, POWER-REAR	0000-81-0287-83	1	(25WX2) (USE W/ ETR)	
66 920G		BALANCER, STICK	0000-81-1231	1		
		SEE SERV. BULL. 007/85, CAT. 15 FOR AUDIO TROUBLESHOOT INFO.				
		REFER TO ACCESSORY BULLETIN XS-2 FOR MORE AUDIO APPLICATION INFO.				

**6682A-1 AUDIO SYSTEMS
(ANTENNA & SPEAKER)**



ITEM NO.	D-CODE	DESCRIPTION	PART NO.	QTY	MODEL/DESCRIPTION	REMARKS
15	312A	RUBBER, INSULATION	1757-15-312	1		
51	051B	PROTECTOR	B572-51-051	1		
66	535	BRACKET, ANTENNA NO. 1	FA02-66-941	1		
66	536	BRACKET, ANTENNA NO. 2	FA43-66-942	1		
66	910A	CORD, DIN	FA54-66-910A	1	[USE W/O BALANCER] [SHORT CORD-S & GS]	
			FA55-66-910A	1	[USE W/ MTR 'Y' STYLE CORD-S & GS]	
66	910B	CORD, DIN	FA59-66-910D	1	[FOR ETR-GSL, GSL-SE]	
66	930	ANTENNA	FA42-66-930A	1		
66	935	FEEDER-ANTENNA	FA54-66-940C	1		
66	936	EXTENSION, FEEDER	FA54-66-936	1		
66	941	POLE, ANTENNA	FA42-66-941A	1		
66	944A	FEEDER, ANTENNA	FA01-66-944	1		
66	945	PIPE	FA42-66-945	1		
66	946	BAND	FA01-66-946	1		
66	960C	SPEAKER, FRONT	0000-81-521-01	2	(10 CM)	
66	970	SPEAKER, LOUD-REAR	0000-81-5216-01	2	(16 CM 2-WAY)	
66	970G	CORD, SHORT	FA07-66-970	1		
66	980C	GRILLE, SPEAKER	FA07-66-980	2		
66	992	CONDENSOR	0820-66-992	1		
67	051J	CLIP	FA54-67-051	1		
67	861	WIRE, RADIO GROUND	0710-66-868A	1		

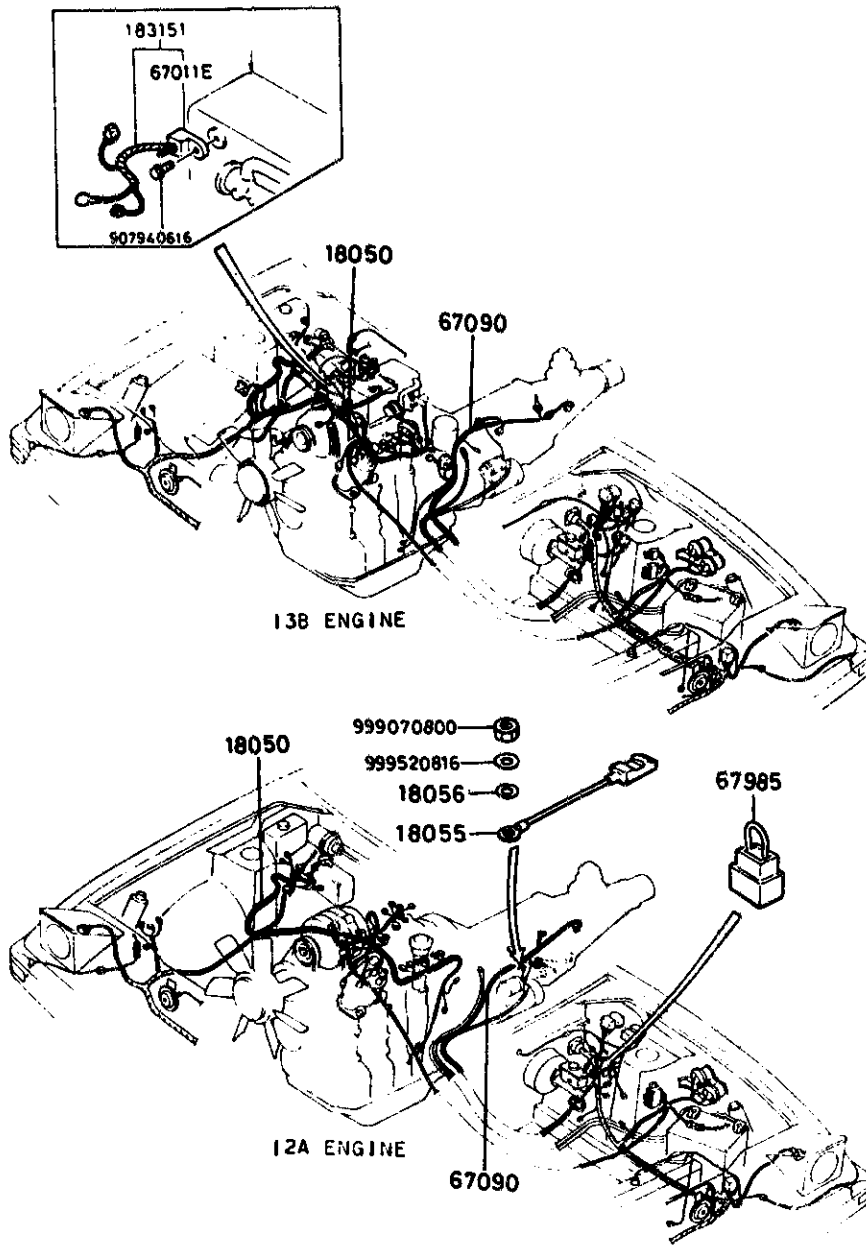
6700A-1 WIRE HARNESS (FRONT & REAR)



SECTION NO.	SECTION NAME
6700A	WIRE HARNESS (FRONT & REAR)
6701A	WIRE HARNESS (ENGINE & T/MISSION)
6702A	WIRE HARNESS (DASHBOARD)
6703A	WIRE HARNESS (DOOR, FLOOR / CEILING)
6704A	WIRE HARNESS CLAMPS

ITEM NO.	D-CODE	DESCRIPTION	PART NO.	QTY	MODEL/DESCRIPTION	REMARKS
66 495		FUSE (10A)	9970-51-110	4		
		< AN >	0000-11-001	4		
66 496		FUSE (15A)	9970-51-115	7		
		< AN >	0000-11-0015	7		
66 497		FUSE (20A)	9970-51-120	5		
		< AN >	0000-11-002	5		
66 730		BLOCK, FUSE	FA54-66-730	1		
66 732		COVER	FA54-66-731	1	(FURUKAWA MAKE)	
			FA54-66-732	1	(YAZAKI MAKE)	
66 760		CASE	H003-66-760	1	13B (GSL-SE)	
66 760A		CASE, MAIN FUSE	FA56-66-760	1		
67 010A		HARNESS, FRONT	FA54-67-010L	1	12A (S. GS. GSL)	
			FA66-67-010K	1	13B (GSL-SE)	
		SEE SERV. BULLETIN 012/85, CAT. 15 FOR MORE HARNESS INFO.				
67 049		CONNECTOR, FRT. WIRING	FA54-67-049A	1		
67 050		HARNESS REAR	FA54-67-050F	1		
		SEE SERV. BULL. 016/85, CAT. 15 FOR MORE HARNESS INFO.				
67 051C		CORD, RR. DEF.	8341-67-051A	1		
67 051D		CORD, RR. DEF.	1480-67-051B	1	(USE W/REAR WIPER) (GSL, GSL-SE)	
			8341-67-051A	1	(USE W/O REAR WIPER) (S. GS)	
67 099		LINK, FUSIBLE	8871-67-099	2	(10M OHM) (BROWN)	
				3	12A (S. GS. GSL)	
				3	13B (GSL-SE)	
67 099A		LINK, FUSIBLE	3777-67-099	1	(7M OHM) (BLACK)	
67 099B		LINK, FUSIBLE	3775-67-099	1	13B (GSL-SE)	
67 371A		TERMINAL	FA01-75-899	2	(USE W/RR. WIPER) GSL, GSL-SE	

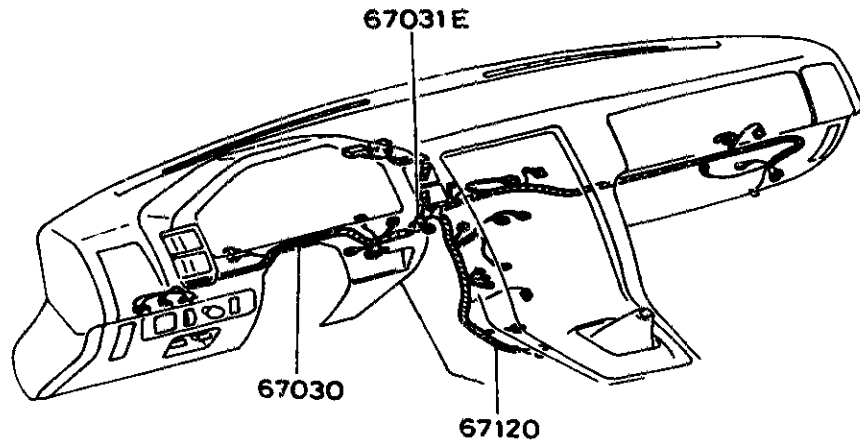
**6701A-1 WIRE HARNESS
(ENGINE & TRANSMISSION)**



ITEM NO.	D-CODE	DESCRIPTION	PART NO.	QTY	MODEL/DESCRIPTION	REMARKS
18 050		WIRING, ENGINE	N249-18-051G N304-18-051E	1	12A (S. GS. GSI) 13B (GSI-SB)	
18 055		LINK, FUSIBLE	8341-18-055	1	12A (S. GS. GSI)	
18 056		WASHER, LOCK	8872-18-056	1	A/T	
18 3151		CORD, ALTERNATOR	N304-18-315A	1	13B (GSI-SB)	
67 011E		COVER, TERMINAL	FA66-67-011	1	13B (GSI-SB)	
67 090		HARNESS, T/MISSION	FA54-67-090B FA57-67-090D FA66-67-090C	1	12A M/T (S. GS. GSI) A/T (S. GS. GSI) 13B	
67 985		CONNECTOR, SHORT	8342-67-985	1	A/T	

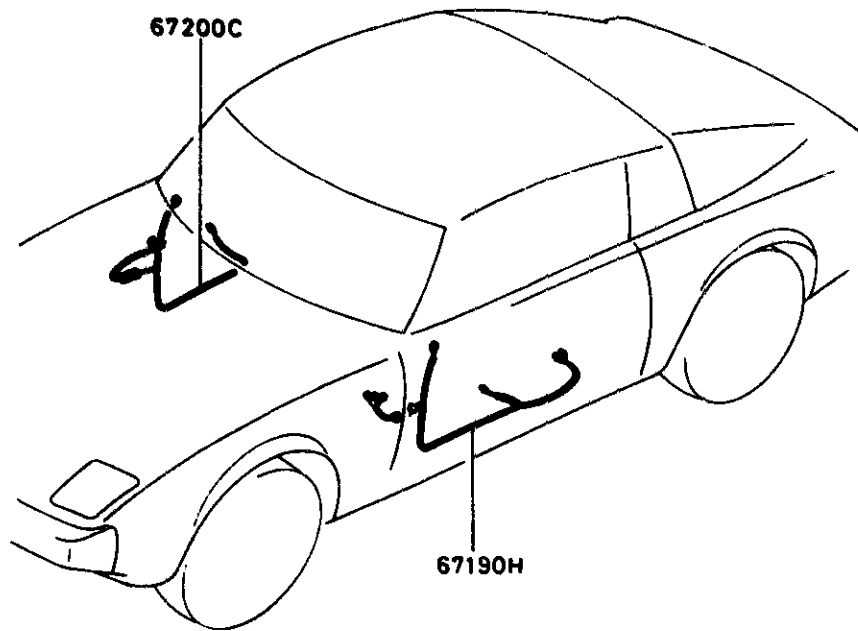
6702A-1 WIRE HARNESS (DASHBOARD)

ITEM NO.	D-CODE	DESCRIPTION	PART NO.	QTY	MODEL/DESCRIPTION	REMARKS
	67 030	HARNES, INSTRUMENT	FA54-67-030F	1		
	67 031E	CLIP, INST. HARNES	FA54-67-031	1		
	67 120	HARNES, PARK. BRAKE	FA54-67-120C	1	(USE W/O POW. WINDOW) (S, GS)	
			FA58-67-120D	1	(USE W/POW. WINDOW) (GSL, GSL-SE)	

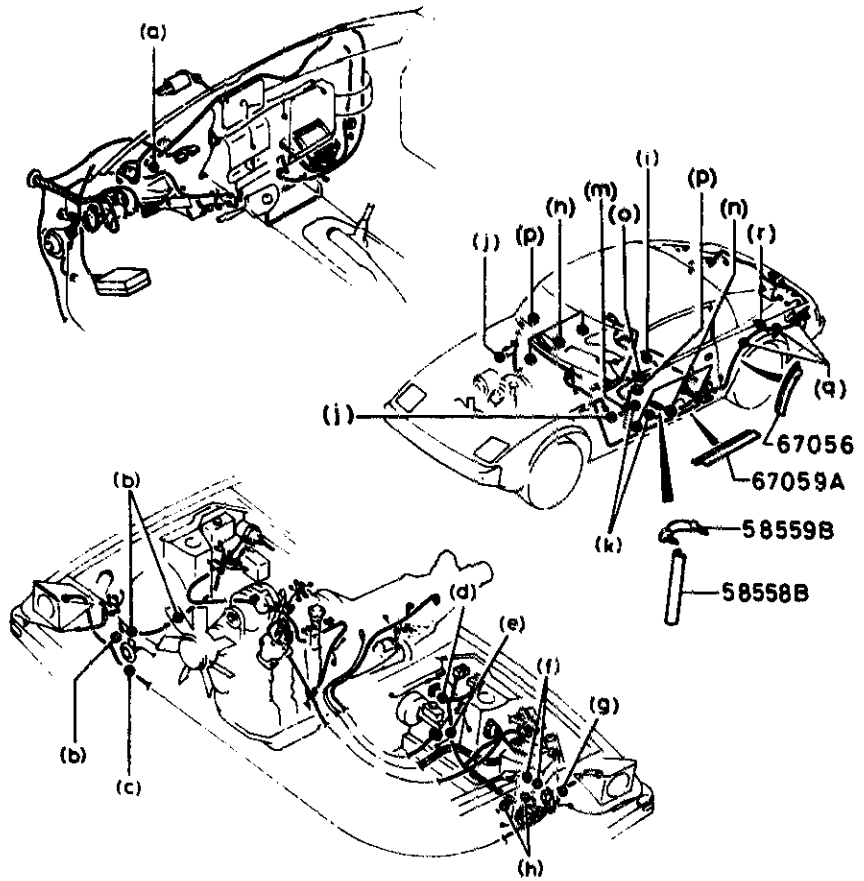


**6703A-1 WIRE HARNESS
(DOOR, FLOOR/CEILING)**

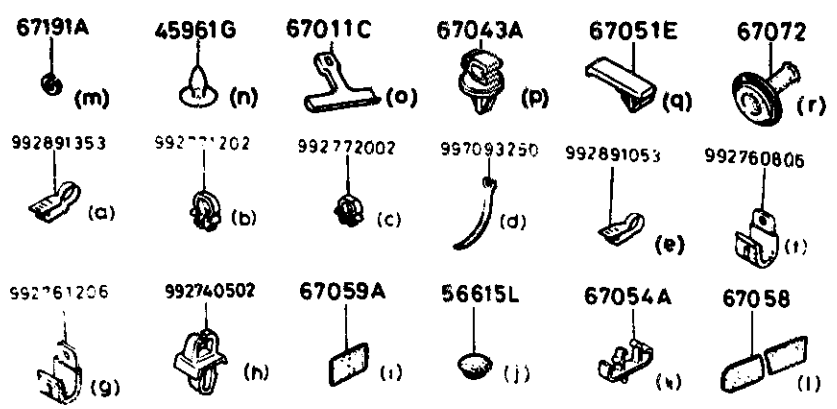
ITEM NO.	D-CODE	DESCRIPTION	PART NO.	QTY	MODEL/DESCRIPTION	REMARKS
	67 190H	HARNESS (L) DOOR	FA54-67-190B	1	(USE W/O POW. WINDOW) (S, GS)	
			FA58-67-190B	1	(USE W/POW. WINDOW) (GSL, GSL-SE)	
	67 200C	HARNESS (R) DOOR	FA54-67-200B	1	(USE W/O POW. WINDOW) (S, GS)	
			FA58-67-200B	1	(USE W/POW. WINDOW) (GSL, GSL-SE)	



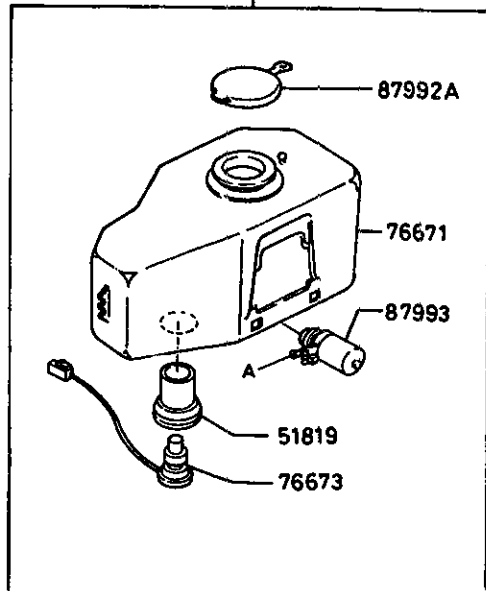
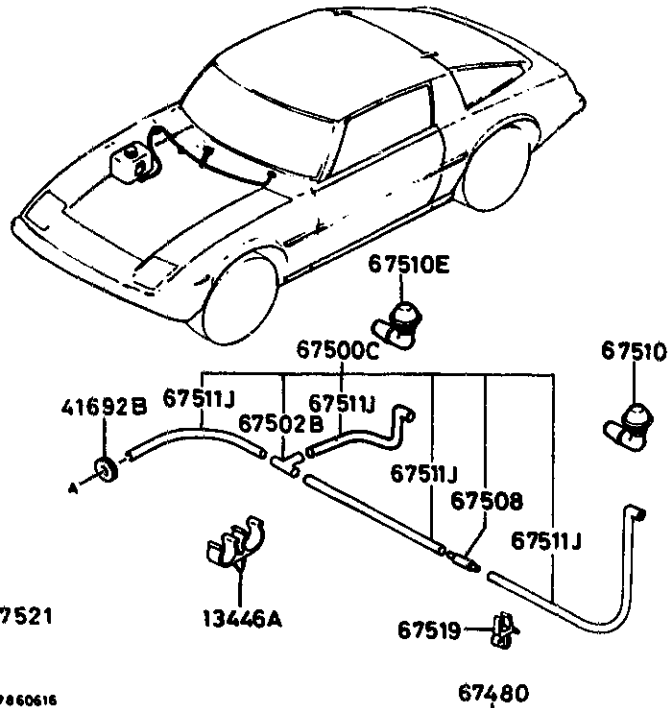
6704A-1 WIRE HARNESS CLAMPS



ITEM NO.	D-CODE	DESCRIPTION	PART NO.	QTY	MODEL/DESCRIPTION	REMARKS
	45 961G	CAP	H002-45-961	6	(FOR DOOR HARNESS)	
	56 615L	PLUG, DRAIN	0222-61-622	4	(USE W/O DOOR HARNESS)	
	58 558B	PROTECTOR, WIRE	1243-58-558	2	(USE W/ POW. WINDOW) (GSL, GSL-SE)	
	58 559B	CLIP, WIRE	H001-67-051	1	(FOR DOOR HARNESS)	
	67 011C	CLIP	FA54-67-011	2		
	67 043A	CLIP	G030-67-043A	2		
	67 051E	CLIP	FA54-67-051	1	(FOR REAR HARNESS)	
	67 054A	CLIP	G030-67-054	2	(FOR FLOOR WIRING)	
	67 056	PROTECTOR	G001-67-059	9	(FOR REAR AND FRONT HARNESS) (FOR ANTENNA AMP)	
	67 058	PROTECTOR	G001-67-058	1	(FOR ANTENNA)	
	67 059A	PROTECTOR	G001-67-061	1	(FOR FLOOR WIRING) (FOR FRONT HARNESS)	
	67 072	GROMMET	FA54-67-062	1	(FOR REAR HARNESS)	
	67 191A	CLIP	HA71-67-191	2	(FOR DOOR HARNESS)	

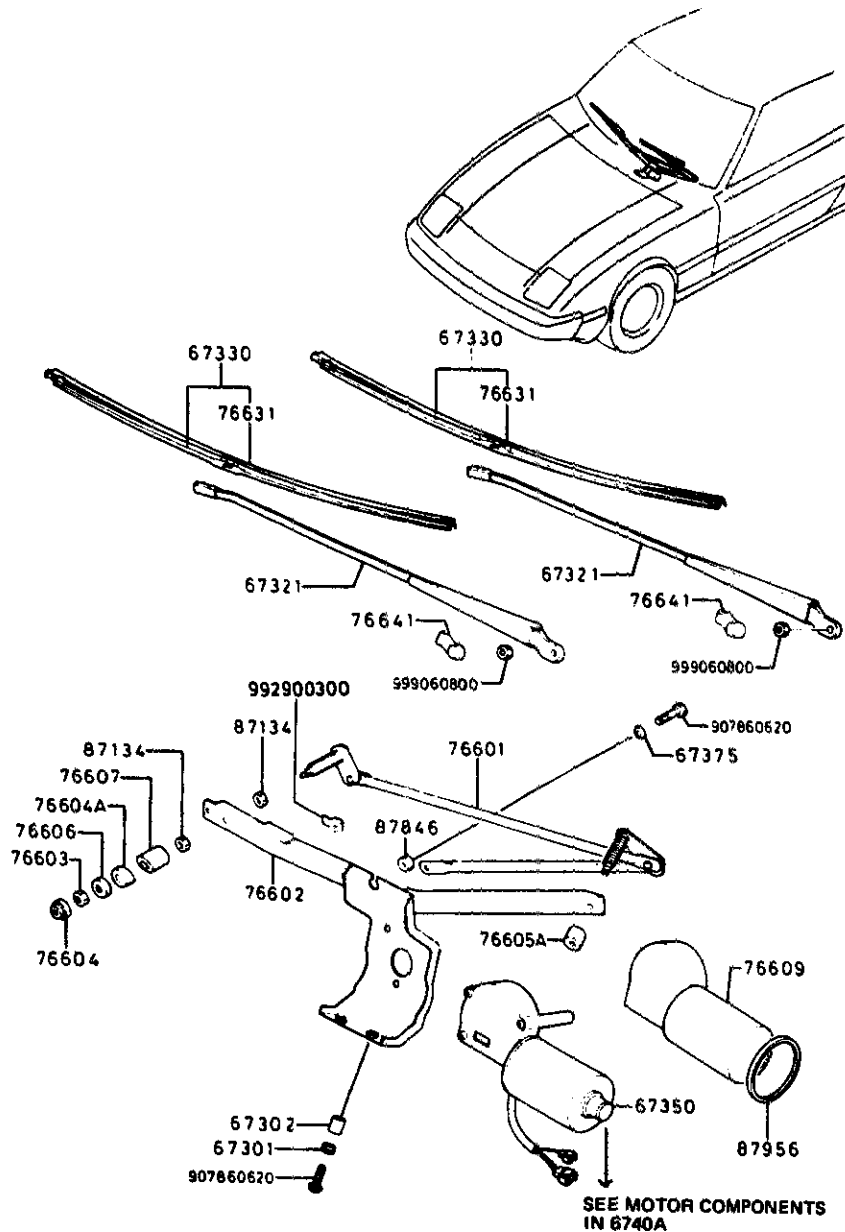


6720A-1 WINDSHIELD WASHER



ITEM NO.	D-CODE	DESCRIPTION	PART NO.	QTY	MODEL/DESCRIPTION	REMARKS
13	446A	CLIP	N231-13-446	1		
41	692B	PROTECTOR	0866-67-156	2		
51	819	BAFFLE	FA24-51-817	1		
67	480	TANK, WASHER	FA42-67-480B	1		
67	500C	PIPE, SCREEN WASHER	FA68-67-500A	1		
67	502B	JOINT, HOSE	H001-67-502	1		
67	508	VALVE, CHECK	FA54-67-508	1		
67	510	NOZZLE (L), WASHER-FRONT	FA54-67-510	1		
67	510E	NOZZLE (R), WASHER-FRONT	FA68-67-510	1		
67	511J	PIPE, SCREEN WASHER	9932-80-4010	1	BULK QTY.	
67	519	CLIP, PIPE	B001-67-519	2		
67	521	BRACKET, WASHER TANK	8545-53-225	1		
			0398-53-239	1	FROM MAR. '85 PROD.	F833* ..889474.
76	671	TANK	FA42-76-671A	1		
76	673	SWITCH, LEVEL	FA42-76-673A	1		
87	992A	CAP TANK	8A02-76-673	1		
87	993	PUMP KIT	8532-76-672	1		

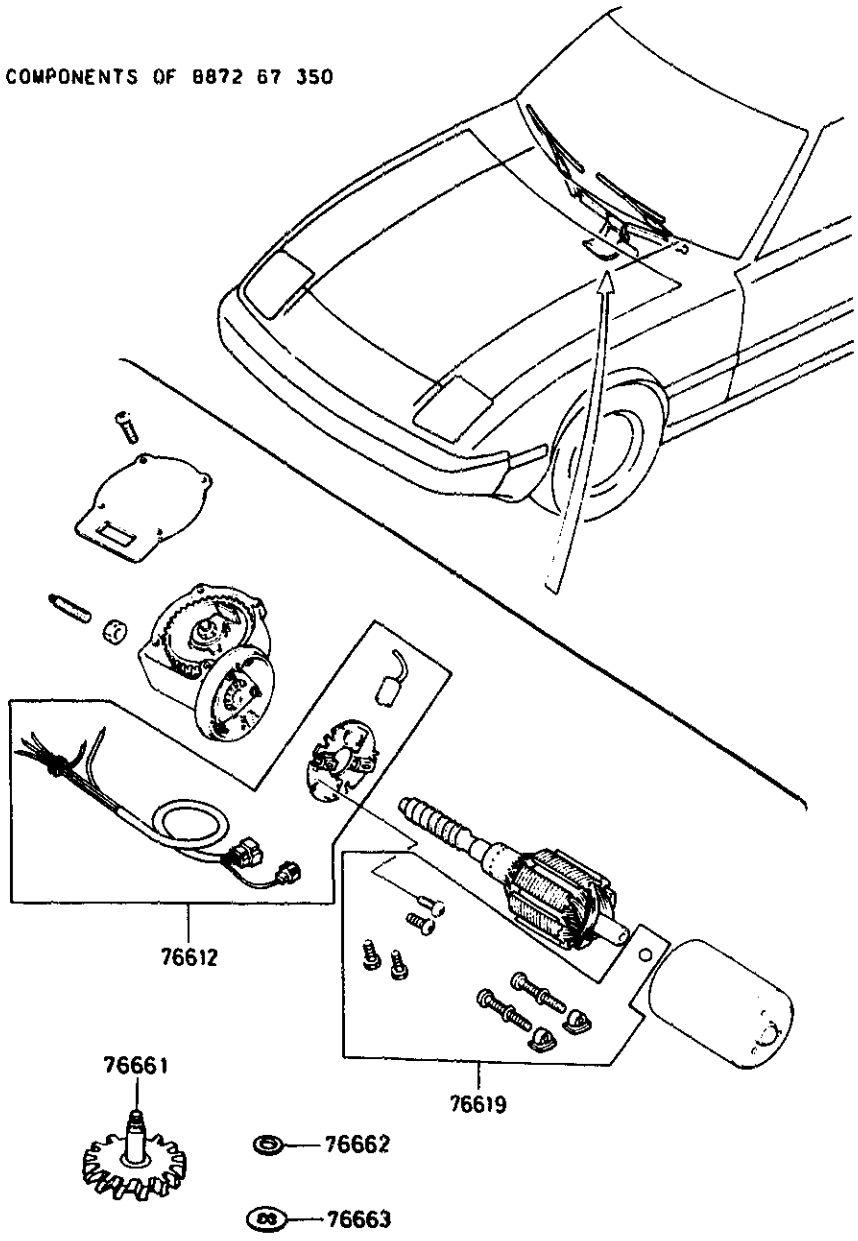
6730A-1 WINDSHIELD WIPER



ITEM NO.	D-CODE	DESCRIPTION	PART NO.	QTY	MODEL/DESCRIPTION	REMARKS
67 301		WASHER, RUBBER	0866-67-301A	2		
67 302		SPACER	0866-67-302	2		
67 321		ARM, WIPER	FA54-67-321	2		
67 330		BLADE, WIPER	HA40-67-330	2		
67 350		MOTOR, WIPER	8872-67-350A	1		
67 375		WASHER, CAP	F001-67-375	2		
76 601		LINK, WIPER	FA54-76-601A	1		
76 602		FRAME	8871-76-602B	1		
76 603		NUT, CAP	8871-76-657	2		
76 604		CAP, SEAL	8871-76-655A	2		
76 604A		BUSHING, OUTER	8871-76-604A	2		
76 605A		BUSHING, INNER	FA54-76-605	1		
76 606		WASHER, CUP	8871-76-656A	2		
76 607		BUSHING, INNER	8871-76-603A	1		
76 609		COVER	1175-76-609	1		
76 631		BLADE	HA40-76-631	2		
76 641		COVER, WIPER ARM	8871-76-641	2		
87 134		NUT	0727-87-844	4		
87 846		GROMMET	0824-87-846	2		
87 956		BAND	0305-87-956	1		

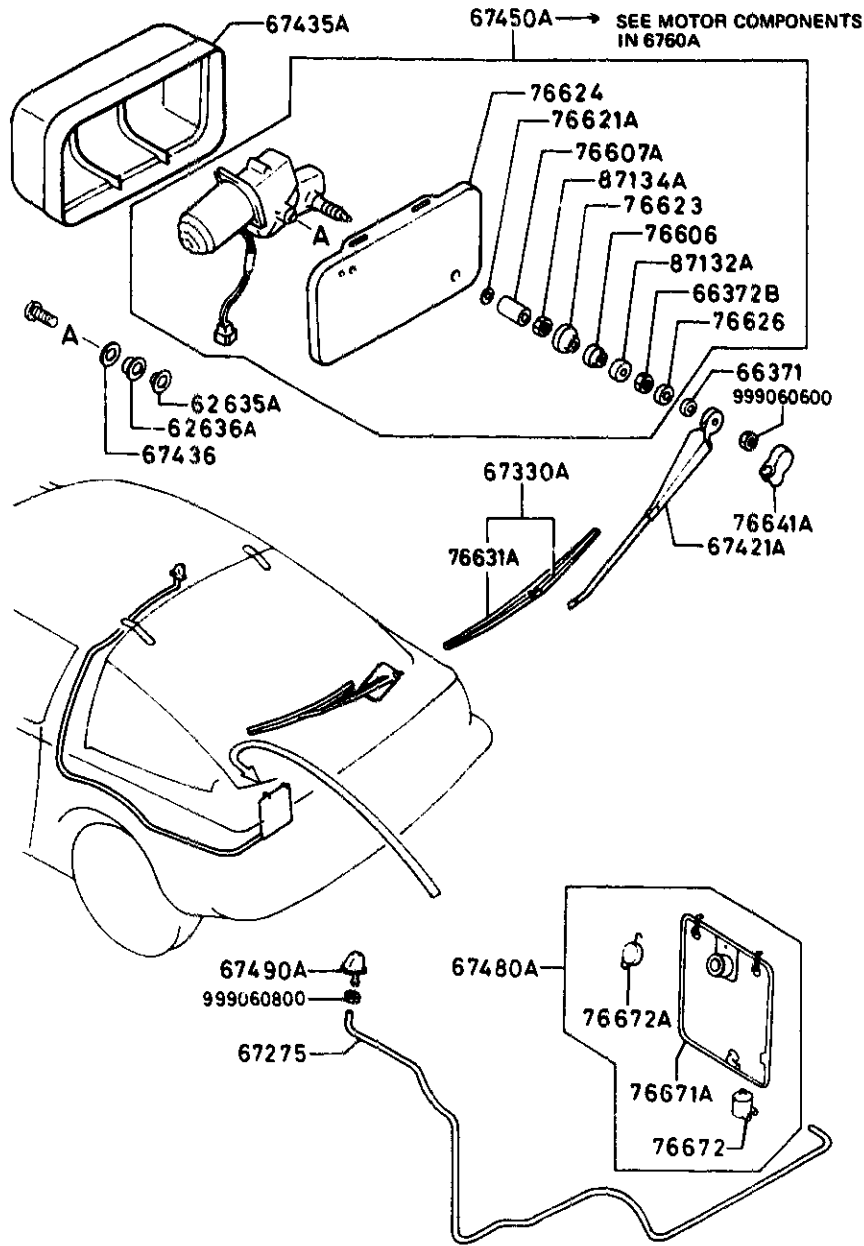
6740A-1 WIPER MOTOR COMPONENTS (FRONT)

COMPONENTS OF 8872 67 350



ITEM NO.	D-CODE	DESCRIPTION	PART NO.	QTY	MODEL/DESCRIPTION	REMARKS
76 612		HOLDER, BRUSH	8872-76-612	1	THRU FEB. '85 PROD.	FB33* .800001-887766
			8872-76-612A	1	FROM MAR. '85 PROD.	FB33* .887767-
76 619		PARTS SET	8236-76-619A	1		
76 661		GEAR, SHAFT	8239-76-661	1	(9MM) THRU FEB. '85 PROD.	FB33* .800001-887766
			W047-67-354	1	(10MM) FROM MAR. '85 PROD.	FB33* .887767-
76 662		WASHER	8239-76-662	1		
76 663		WASHER, TOOTHED	8239-76-663	1		

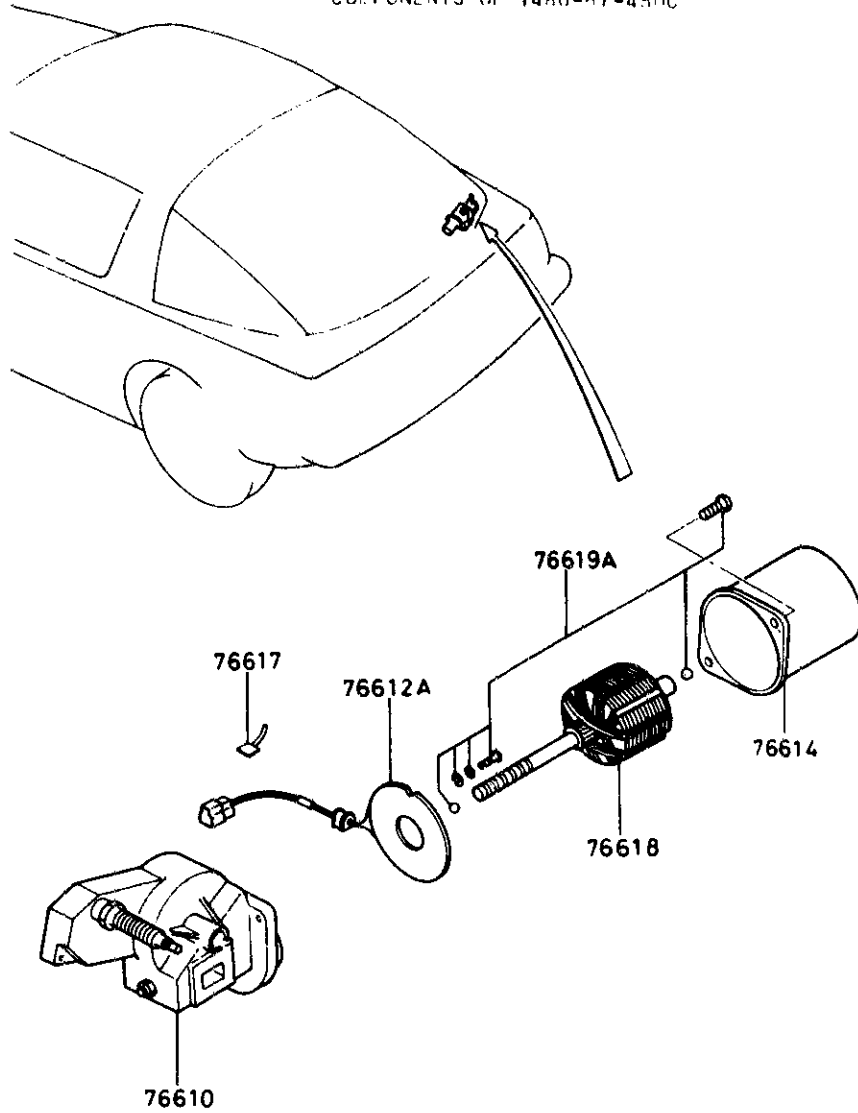
**6750A-1 WINDOW WIPER & WASHER
(REAR) (GSL, GSL-SE)**



ITEM NO.	D-CODE	DESCRIPTION	PART NO.	QTY	MODEL DESCRIPTION	REMARKS
62 435A		NUT	8871-62-635A	1		
62 636A		WASHER	8871-62-636A	1		
66 371		CAP. SEAL	0212-66-371	1		
66 372B		NUT	0212-66-372A	1		
67 275		HOSE, SCREEN WASHER	1480-67-501A	1		
67 330A		BLADE, WIPER	8144-67-330A	1		
67 421A		ARM, WIPER	1480-67-421A	1		
67 435A		COVER, WIPER MOTOR	1480-67-435	1		
67 436		SPACER	1480-67-436	1		
67 450A		MOTOR	1480-67-450C	1		
		(COMPONENTS IN 6760A)				
67 480A		TANK	1410-67-480C	1		
67 490A		NOZZLE, WASHER-RR. WINDOW	1480-67-510	1		
76 606		BUSHING	1480-67-606	1		
76 607A		BUSHING, INNER	1480-76-607	1		
76 621A		WASHER	1029-76-621	1		
76 623		BUSHING, INNER	1480-76-623	1		
76 624		BRACKET, WIPER MOTOR	1480-76-624A	1		
76 626		NUT, LOCK PLATE	1480-76-626	1		
76 631A		BLADE	8AG1-76-631A-BP	1	(BLISTER PACK)	
76 641A		COVER, WIPER, ARM	8134-76-641	1		
76 671A		TANK, WASHER-RR. WIPER	1410-76-671	1		
76 672		PUMP, WASHER	1410-67-530	1		
76 672A		CAP. TANK	1410-76-672A	1		
87 132A		WASHER	0702-87-132	1		
87 134A		NUT	0259-87-134	1		

**6760A-1 WINDOW WIPER MOTOR COMPONENTS
(REAR) (GSL, GSL-SE)**

COMPONENTS OF 1480-67-4500



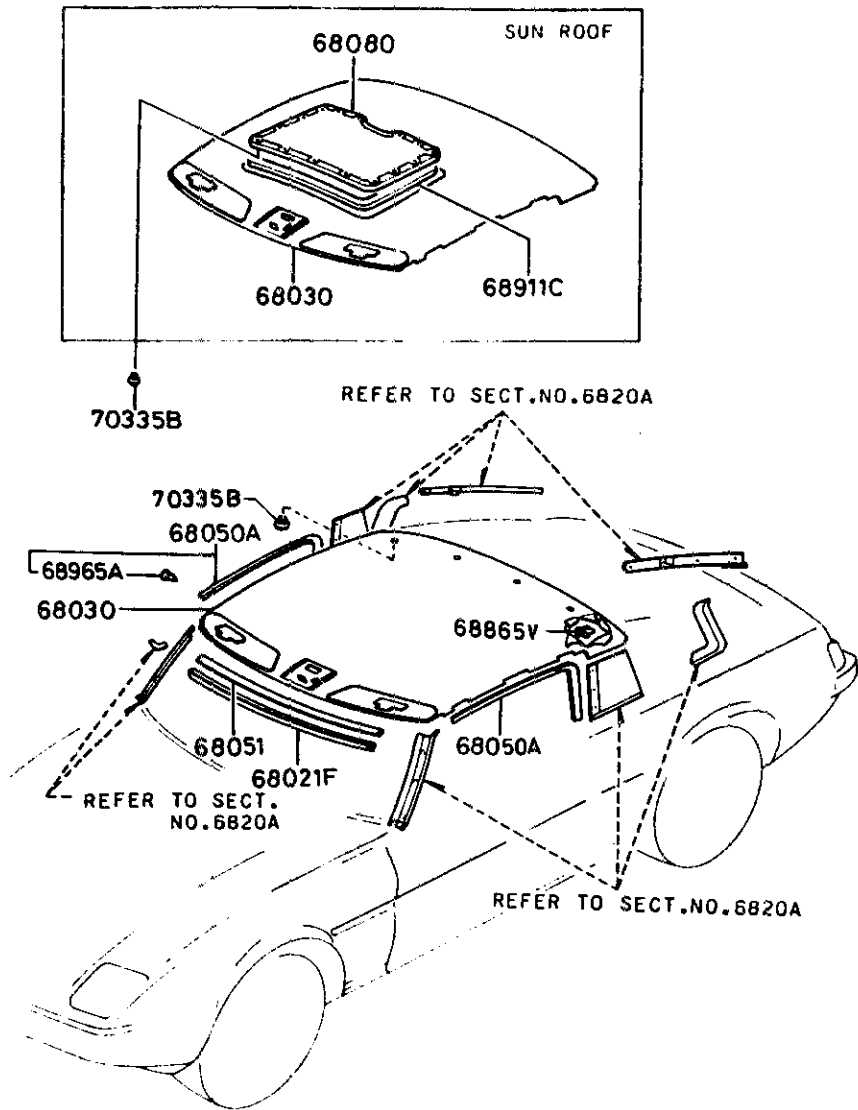
ITEM NO.	D-CODE	DESCRIPTION	PART NO	QTY	MODEL/DESCRIPTION	REMARKS
76 610		BOX, GEAR	1480-76-610	1		
76 612A		PLATE, HOLDER-BRUSH	1480-76-612	1		
76 614		YOKE, STATOR	8532-76-614	2		
76 617		BRUSH	8532-76-617	2		
76 618		ROTOR	8532-76-618	1		
76 619A		PARTS SET	1410-76-619	1		

SECTION INDEX -- BODY

STARTING LOCATION	SECT. NO.	SECTION NAME	STARTING LOCATION	SECT. NO.	SECTION NAME	STARTING LOCATION	SECT. NO.	SECTION NAME
2 - C 3	0900A	KEY SETS	2 - L 7	6110A	HEATER UNIT COMPONENTS	2 - I10	6704A	WIRE HARNESS CLAMPS
2 - D 3	5000A	FRONT BUMPER	2 - J 7	6115A	HEATER CONTROLS COMPONENTS	2 - J10	6720A	WINDSHIELD WASHER
2 - E 3	5005A	RADIATOR GRILLE	2 - K 7	6120A	HEATER BLOWER COMPONENTS	2 - K10	6730A	WINDSHIELD WIPER
2 - F 3	5010A	REAR BUMPER	2 - L 7	6125B	AIR CONDITIONER	2 - L10	6740A	WIPER MOTOR COMPONENTS (FRONT)
2 - G 3	5030A	WINDOW MOULDINGS	2 - M 7	6130B	AIR CONDITIONER (NIPPONDENSO)	2 - M10	6750A	WINDOW WIPER & WASHER (REAR) (GSL, G5L-SE)
2 - H 3	5040A	BODY MOULDINGS	2 - C 8	6132B	AIR CONDITIONER (WYNN'S)	2 - N10	6760A	WINDOW, WIPER MOTOR COMPONENTS (REAR) (GSL, G5L-SE)
2 - I 3	5060A	SIDE PROTECTORS	2 - D 8	6140B	A/C COMPRESSOR BRACKETS (NIPPONDENSO)			
2 - J 3	5100A	HEAD LAMPS	2 - F 8	6142B	A/C COMPRESSOR COMPONENTS (WYNN'S)	2 - C11	6800A	CEILING TRIM
2 - K 3	5103A	HEAD LAMP RETRACTOR	2 - H 8	6145B	A/C COMPRESSOR COMPONENTS (NIPPONDENSO)	2 - D11	6820A	PILLAR TRIM
2 - L 3	5105A	FRONT COMBINATION LAMPS	2 - J 8	6150B	COOLING UNIT (NIPPONDENSO)	2 - F11	6840A	TRIM & SCUFF PLATE
2 - M 3	5110A	REAR COMBINATION LAMPS	2 - L 8	6152B	COOLING UNIT (WYNN'S)	2 - I11	6860A	FLOOR MATS & PADS
2 - N 3	5120A	LICENSE LAMPS	2 - M 8	6230A	BACK DOOR MECHANISM	2 - J11	6870A	SERVICE TOOLS
2 - O 3	5125A	INTERIOR LAMPS	2 - N 8	6300A	WINDOW GLASSES	2 - K11	6900A	VISOR, ASSIST HANDLE & MIRRORS
2 - P 3	5170A	ORNAMENTS	2 - C 9	6330A	SUNROOF (GSL, G5L-SE)	2 - N11	6930A	CAUTION PLATES & LABEL
2 - Q 3	5180A	COWL & EXTRACTOR GRILLES	2 - D 9	6600A	SWITCH & RELAY (ENGINE)			
2 - R 3	5230A	HOOD	2 - F 9	6610A	DASHBOARD SWITCHES (MANUAL OPERATING)			
2 - S 3	5310A	BODY PANELS (FRONT)	2 - G 9	6611A	COMBINATION SWITCH			
2 - T 3	5320A	BODY PANELS (FENDER & WHEEL APRON)	2 - H 9	6612A	CLUSTER SWITCH (RIGHT SIDE)			
2 - U 3	5330A	BODY PANELS (DASH & COWL PANEL)	2 - I 9	6613A	CLUSTER SWITCH (LEFT SIDE)			
2 - V 3	5340A	BODY PANELS (SIDE)	2 - J 9	6615A	POWER WINDOW SWITCH			
2 - W 3	5360A	BODY PANELS (ROOF)	2 - K 9	6620A	DOOR, PARKING LAMP & KICKDOWN SWITCHES			
2 - X 3	5370A	BODY PANELS (FLOOR)	2 - L 9	6630A	RELAY & CPU (BODY)			
2 - Y 3	5390A	FLOOR ATTACHMENTS	2 - M 9	6635A	HORN			
2 - Z 3	5500A	DASHBOARD EQUIPMENT	2 - N 9	6640A	AUTO CRUISE CONTROLS			
2 - AA 3	5520A	METER HOOD	2 - C10	6680A	AUDIO SYSTEMS (RADIO & TAPE DECK)			
2 - AB 3	5530A	SPEEDOMETER CABLE	2 - D10	6682A	AUDIO SYSTEMS (ANTENNA & SPEAKER)			
2 - AC 3	5540A	METERS	2 - E10	6700A	WIRE HARNESS (FRONT & REAR)			
2 - AD 3	5550A	CLUSTER SWITCH COVER	2 - F10	6701A	WIRE HARNESS (ENGINE & TRANSMISSION)			
2 - AE 3	5560A	DASHBOARD & RELATED	2 - G10	6702A	WIRE HARNESS (DASHBOARD)			
2 - AF 3	5570A	CONSOLE	2 - H10	6703A	WIRE HARNESS (DOOR, FLOOR, CEILING)			
2 - AG 3	5580A	VENTILATOR						
2 - AH 3	5700A	FRONT SEAT						
2 - AI 3	5790A	SEAT BELTS						
2 - AJ 3	5800A	FRONT DOOR						
2 - AK 3	5830A	FRONT DOOR MECHANISMS						
2 - AL 3	5840A	FRONT DOOR TRIM & RELATED PARTS						
2 - AM 3	6100A	HEATER						

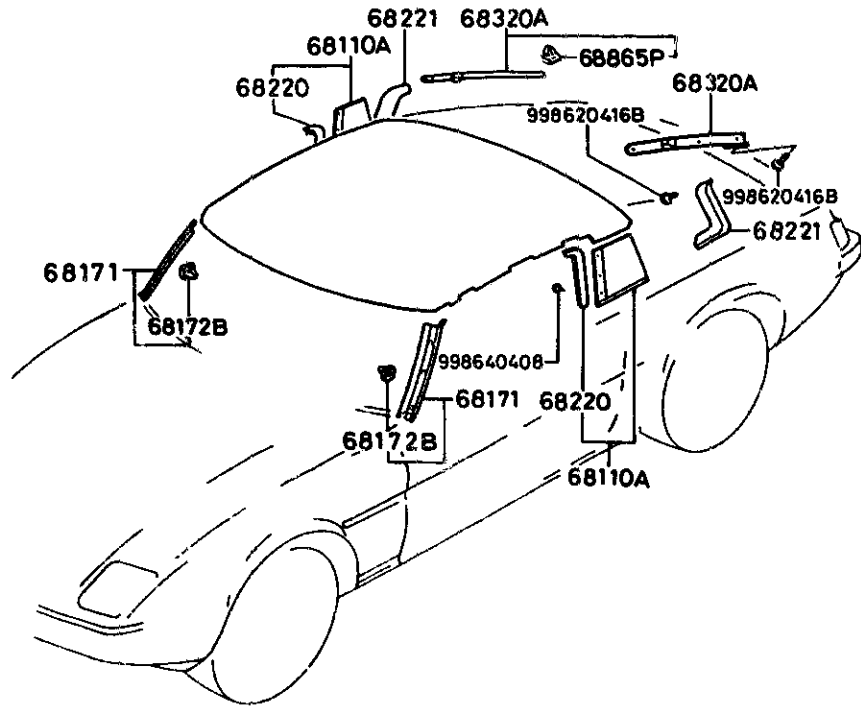
2 - B11

6800A-1 CEILING TRIM



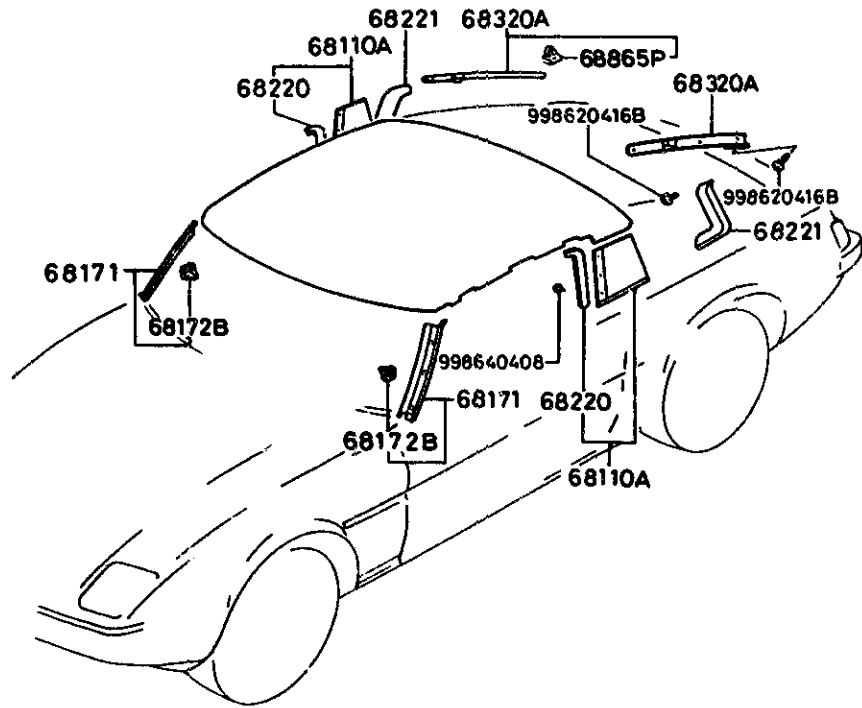
ITEM NO	D-CODE	DESCRIPTION	PART NO	QTY	MODEL/DESCRIPTION	REMARKS
68 021F		GARNISH, TOP-FRONT	FA01-68-021	1		
		RED	10			
		OFF-BLACK	65			
68 030		BROWN	78			
		CEILING, TOP	FA54-68-030A	1	NORM. ROOF (S)	
		RED	16			
		OFF-BLACK	64			
		BROWN	77			
		CEILING, TOP	FA56-68-030	1	SUNROOF (GS, GSL, GSL-SE)	
		RED	16			
		OFF-BLACK	64			
		BROWN	77			
68 050A		GARNISH (R), TOP-SIDE	FA01-68-960C	1		
		RED	11			
		OFF-BLACK	65			
		BROWN	78			
		GARNISH (L), TOP-SIDE	FA01-68-970B	1		
		RED	11			
		OFF-BLACK	65			
		BROWN	78			
	68 051	PLATE, CEILING-FRT.	8871-53-041	1		
68 080		CEILING, TOP	FA56-68-070A	1	SUNROOF (GS, GSL, GSL-SE)	
		RED	16			
		OFF-BLACK	64			
		BROWN	77			
	68 865V	FASTENER, TOP CEILING	B040-68-865A	4		
		BLACK	00			
68 911C	WELT, SEAMING	FA01-68-029A	1	SUNROOF (GS, GSL, GSL-SE)		
68 965A	FASTENER	FA56-68-965	9			
70 335B		CLIP, D. TOP CEILING	0305-70-335	4	NORM. ROOF (S)	
				20	SUNROOF (GS, GSL, GSL-SE)	

6820A-1 PILLAR TRIM



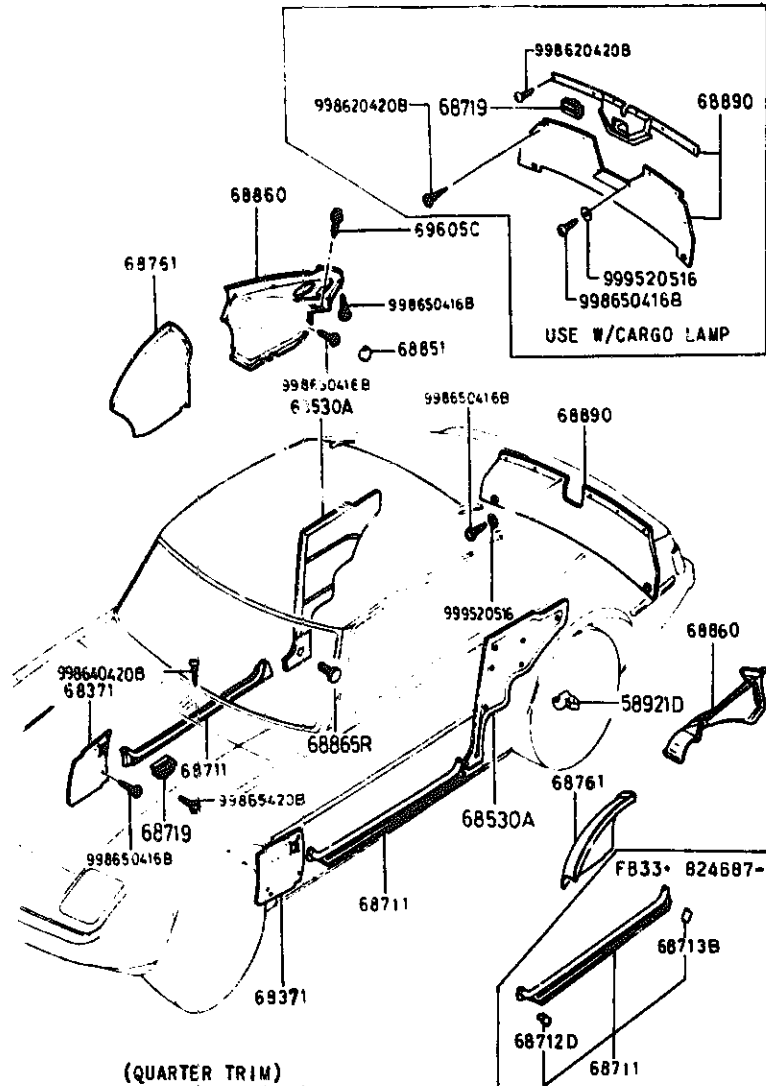
ITEM NO.	D-CODE	DESCRIPTION	PART NO.	QTY	MODEL/DESCRIPTION	REMARKS
68 110A		TRIM, (R), CTR. PILLAR	FA54-68-110D	1		
		RED	16			
		OFF-BLACK	64			
		BROWN	77			
		TRIM (L), CTR. PILLAR	FA54-68-120D	1		
		RED	16			
		OFF-BLACK	64			
		BROWN	77			
		68 171	TRIM (R), FRT. PILLAR	FA54-68-170A	1	
	RED	11				
	OFF-BLACK	65				
	BROWN	78				
	TRIM (L), FRT. PILLAR	FA54-68-190A	1			
	RED	11				
	OFF-BLACK	65				
	BROWN	78				
	68 172B	FASTENER, FRT. PILLAR TRIM	FA54-68-172	6		
	68 220	GARNISH (R), CTR. TRIM	FA01-68-981	1		
RED		11				
OFF-BLACK		64				
	BROWN	77				
	GARNISH (L), CTR. TRIM	FA01-68-991	1			
	RED	11				
	OFF-BLACK	64				
	BROWN	77				
	68 221	TRIM (R), CTR. PILLAR	8871-68-221A	1		
RED		11				
OFF-BLACK		65				
	BROWN	78				
	TRIM (L), CTR. PILLAR	8871-68-241A	1			
	RED	11				
	OFF-BLACK	65				
	BROWN	78				
	68 320A	TRIM (R), REAR PILLAR	8871-68-271A	1		
RED		11				
OFF-BLACK		65				
	BROWN	78				
	TRIM (L), REAR PILLAR	8871-68-291A	1			
	RED	11				
	OFF-BLACK	65				

6820A-2 PILLAR TRIM



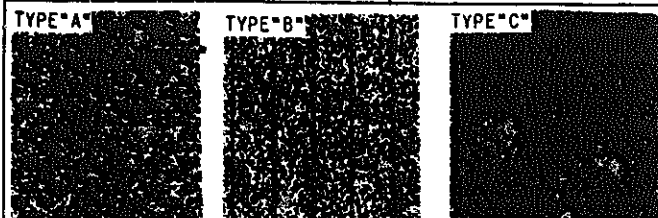
ITEM NO.	D-CODE	DESCRIPTION	PART NO.	QTY	MODEL/DESCRIPTION	REMARKS
68 320A (CONT'D)		BROWN	78			
68 865P		FASTENER, RR. PILLAR TRIM	H002-68-865 FA54-68-865	8 8	THRU NOV. '83 PROD. FROM DEC. '83 PROD.	FB33* .80001-811184 FB33* .811185-

6840A-2 TRIM & SCUFF PLATE



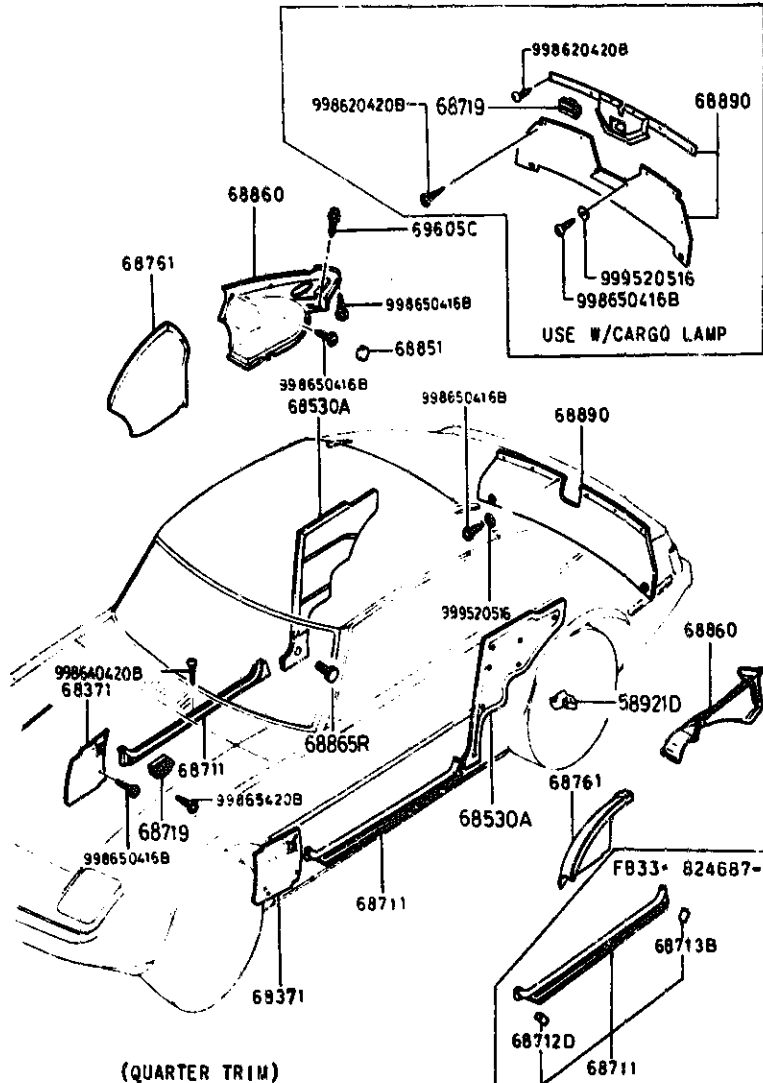
(QUARTER TRIM)

SEE PARTS BULLETIN
FOR MORE QUARTER
TRIM INFO.
MMAC N/A
MMAE ¼ V/31

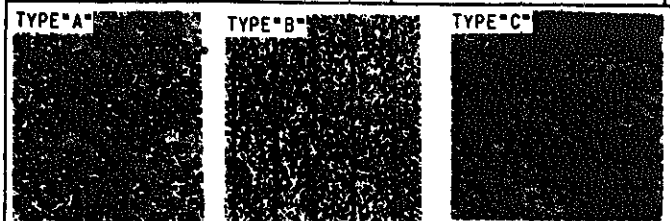


ITEM NO.	D-CODE	DESCRIPTION	PART NO.	QTY	MODEL/DESCRIPTION	REMARKS
68 530A (CONTD)		BROWN	79			
68 711		PLATE (R), FRONT SCUFF	8871-68-710	1		
		RED	10			
		OFF-BLACK	65			
		BROWN	78			
		PLATE (L), FRONT SCUFF	8871-68-720	1		
		RED	10			
		OFF-BLACK	65			
		BROWN	78			
68 712D		CLIP	8871-68-712	2	FROM MAR. '84 PROD.	FB33* ..824687-
68 713B		CLIP	8871-68-713	2	FROM MAR. '84 PROD.	FB33* ..824687-
68 719		GROMMET, SCREW	FA54-68-719B	4	(FOR TRUNK END)	
			H001-68-719B	4	(FOR SCUFF PLATE)	
68 761		TRIM (R), TIRE HOUSING	8871-68-770	1		
		RED	12			
		OFF-BLACK	65			
		BROWN	78			
		TRIM (L), TIRE HOUSING	8871-68-790	1		
		RED	12	1		
		OFF-BLACK	65	1		
		BROWN	78	1		
68 851		CAP, TRUNK SIDE TRIM	8871-68-851	4		
		RED	11			
		OFF-BLACK	65			
		BROWN	78			
68 860		TRIM (R), TRUNK SIDE	8871-68-861A	1		
		RED	11			
		OFF-BLACK	65			
		BROWN	78			
		TRIM (L), TRUNK SIDE	8871-68-871A	1		
		RED	11			
		OFF-BLACK	65			
		BROWN	78			
68 865R		FASTENER, QTR. GARNISH	G043-68-865B	2		
		RED	11			
		OFF-BLACK	65			
		BROWN	78			
68 890		TRIM, TRUNK END	FA54-68-890A	1	(USE W/CARGO ROOM LAMP) (GS, GSL, GSI-SE)	
		GRAY/OFF-BLACK	09			

6840A-3 TRIM & SCUFF PLATE

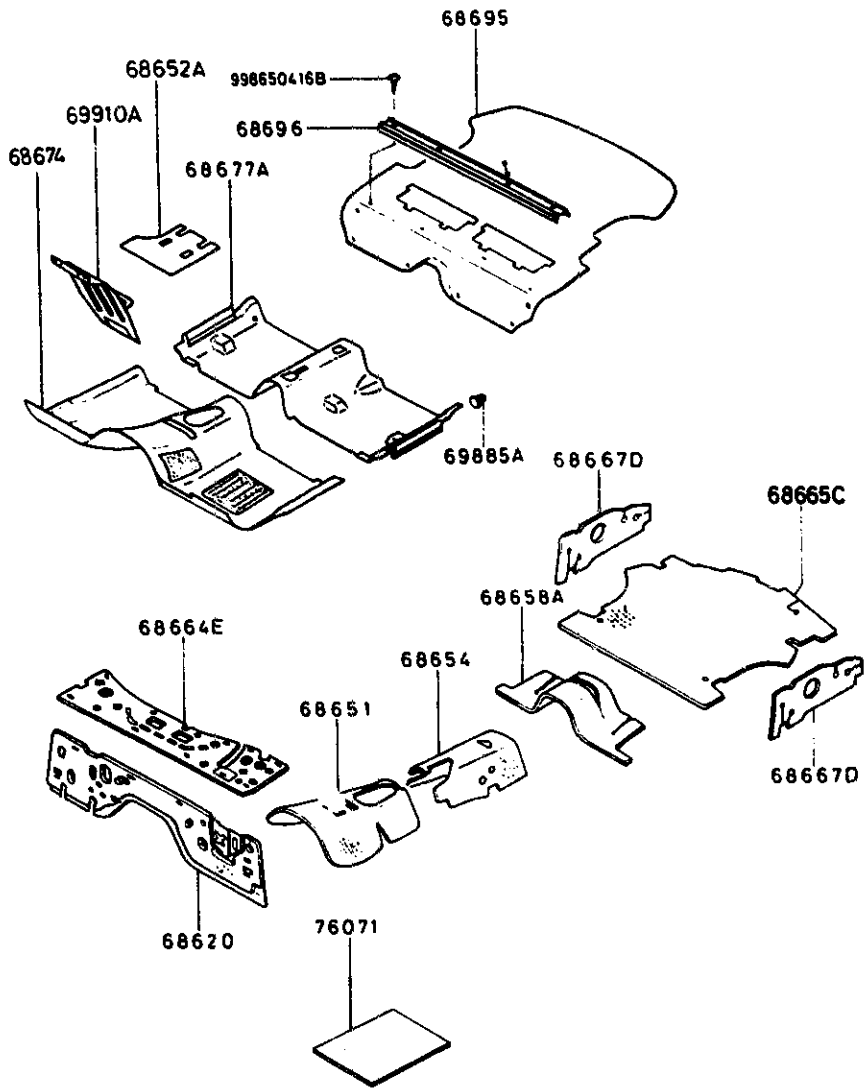


SEE PARTS BULLETIN
FOR MORE QUARTER
TRIM INFO.
MMAC N/A
MMAE X V/31



ITEM NO.	D-CODE	DESCRIPTION	PART NO.	QTY	MODEL/DESCRIPTION	REMARKS
68 890 (CONF'D)		RED	11	1	(USE W/O CARGO ROOM LAMP) (S) NORM. ROOF SEPT. '83 PROD.	FB33* .800001-800903
		BROWN	79			
			F041-68-890A			
		GRAY/OFF-BLACK	09			
		RED	11			
		BROWN	79			
			F041-68-890B			
		GRAY	09			
		RED	11			
		BROWN	79			
69 605C		HOOK, TRIM	8871-68-855	2	NORM. ROOF FROM DEC. '84 PROD.	FB33* .. 876904-

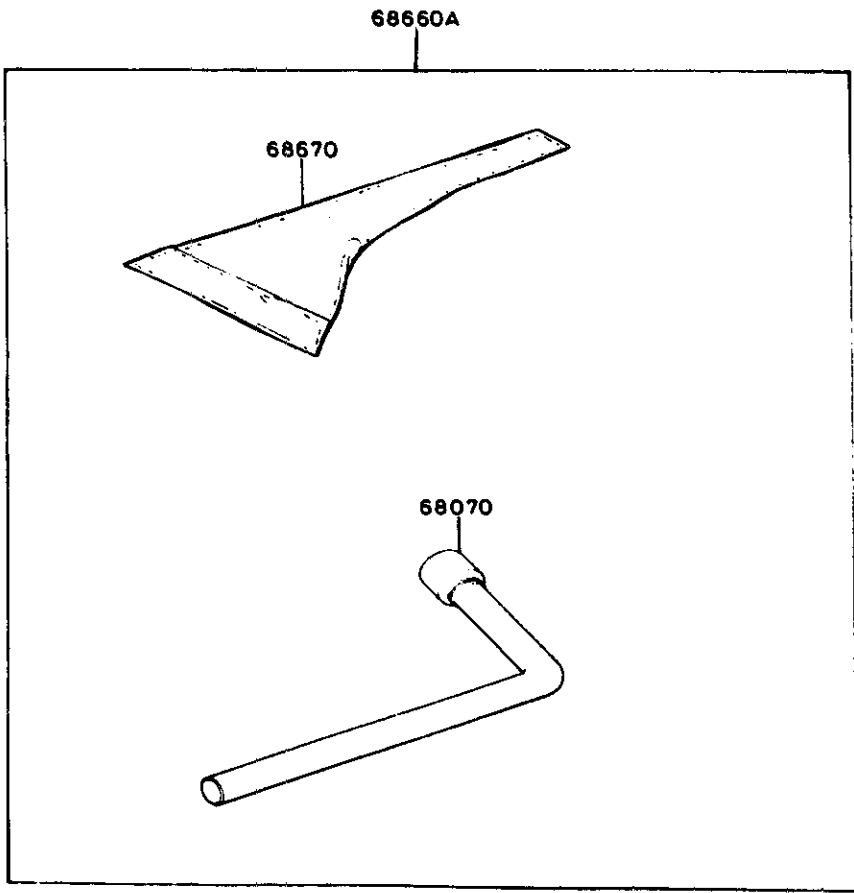
6860A-1 FLOOR MATS & PADS



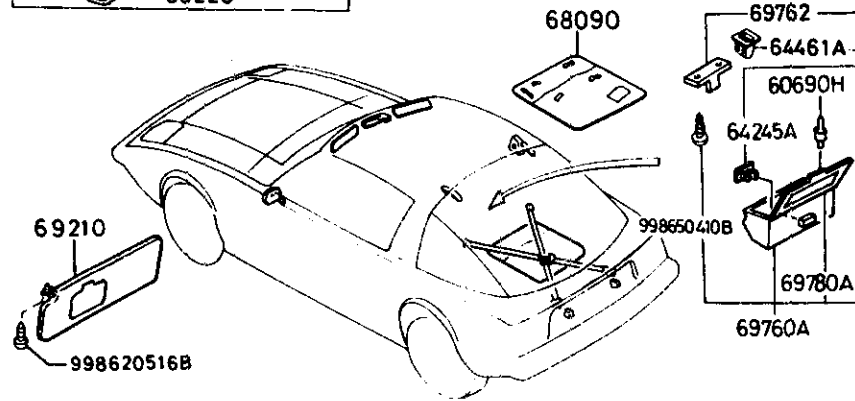
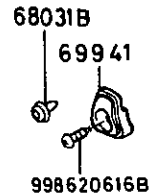
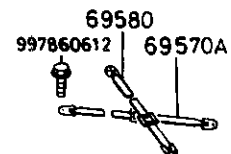
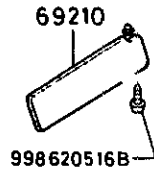
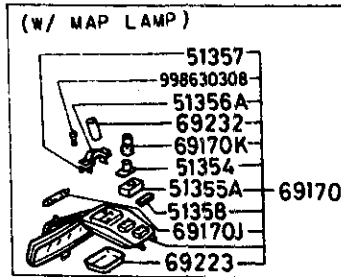
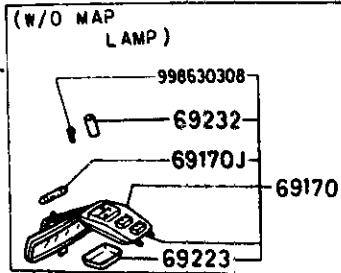
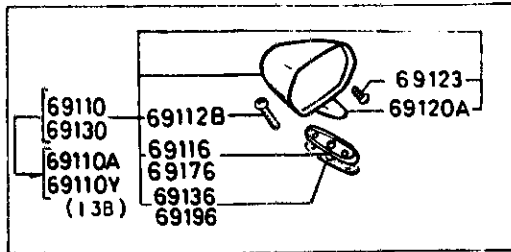
ITEM NO.	D-CODE	DESCRIPTION	PART NO.	QTY	MODEL/DESCRIPTION	REMARKS
68 820		INSULATOR, DASHBOARD	FA54-68-620A	1	(USE W/O FWR. STEERING)	
			FA55-68-620A	1	(USE W/PWR. STEERING)	
68 651		PAD (C), FLOOR-FRONT	FA54-68-651	1		
68 652A		PAD (R), FLOOR-FRONT	FA54-68-652	1	NORM. ROOF	
68 654		PAD (C), FLOOR-REAR	1480-68-654A	1		
68 658A		PAD, STORAGE BOX	FA01-68-658	1		
68 664E		INSULATOR, DASH, UPPER	FA54-68-664A	1		
68 665C		PAD, TRUNK	FA54-68-666	1		
68 667D		PAD, TRUNK SIDE	8871-68-667A	2		
68 674		MAT, FRONT FLOOR	FA56-68-671A	1		
		GRAY/OFF-BLACK	09			
		RED	11			
		BROWN	79			
68 677A		MAT, REAR FLOOR	FA54-68-677	1		
		GRAY/OFF-BLACK	09			
		RED	11			
		BROWN	79			
68 695		MAT, TRUNK ROOM	FA54-68-695A	1		
		GRAY	09			
		RED	11			
		BROWN	79			
68 696		PLATE, MAT SET	8871-68-696B	1		
		RED	10			
		OFF-BLACK	65			
		BROWN	78			
69 885A		FASTENER	0866-69-885A	7		
		BLACK	00			
		RED	11			
		OFF-BLACK	65			
		BROWN	78			
69 910A		SUPPORT, FOOT	FA67-69-910	1		
76 071		SILENCER, FLOOR	0208-76-071	1	(30CM X 30CM)	

6870A-1 SERVICE TOOLS

ITEM NO.	D-CODE	DESCRIPTION	PART NO.	QTY	MODEL/DESCRIPTION	REMARKS
	68 070	WRENCH, HUB NUT	0810-68-070E	1		
	68 660A	TOOL SET	3781-69-650	1		
	68 670	BAG, TOOL	8173-69-670	1		

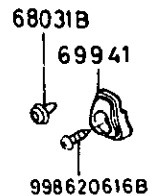
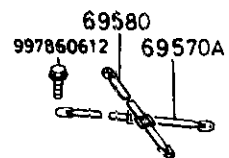
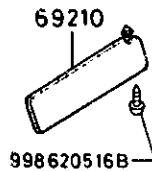
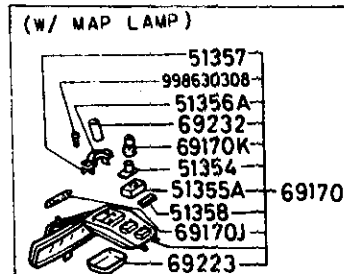
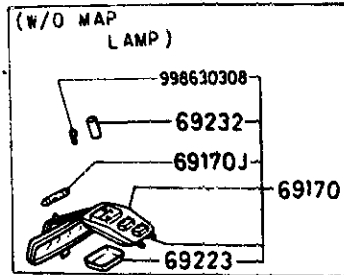
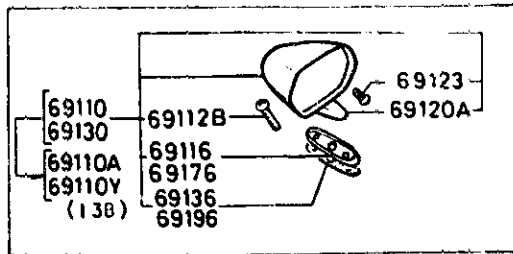


6900A-1 VISOR, ASSIST HANDLE & MIRRORS

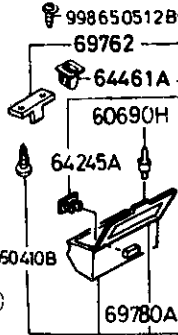
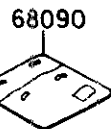


ITEM NO.	D-CODE	DESCRIPTION	PART NO.	QTY	MODEL/DESCRIPTION	REMARKS
51 354		SOCKET & HOLDER	FA01-51-354	1		
51 355A		LAMP, SPOT	FA01-51-355A	1		
51 356A		PLATE	FA01-51-356	1		
51 357		BRACKET 'A'	FA01-51-357	1		
51 358		BRACKET 'B'	FA01-51-358	1		
60 690H		SWITCH, STORAGE BOX	G030-66-540B	2		
64 245A		LENS, STORAGE BOX	H002-64-245	2		
64 461A		STRIKER, STORAGE BOX	1011-64-461A	2		
		BLACK	00			
68 031B		FASTENER	FA54-68-031	1		
		RED	11			
		OFF-BLACK	65			
		BROWN	78			
68 09D		BAG, SUNROOF	8973-68-090C	1	SUNROOF (GS, GSL, GSL-SE)	
69 110		MIRROR (R), REAR VIEW	8341-69-110A	1	(REMOTE CONTROL) (GS, GSL, GSL-SE)	
			8871-69-110B	1	(MANUAL TYPE) (S)	
69 110A		MIRROR (R), DOOR	FA66-69-110	1	13B FROM APR. '85 PROD.	FB33* .893766-
		SUNBEAM SILVER M.	K3			
		BRILLIANT BLACK	PZ			
		TENDER BLUE M.	V3			
		DOVER WHITE	WU			
		ROYAL MALLOW	3A			
69 110Y		MIRROR (L), DOOR	FA66-69-170	1	13B FROM APR. '85 PROD.	FB33* .893766-
		SUNBEAM SILVER M.	K3			
		BRILLIANT BLACK	PZ			
		TENDER BLUE M.	V3			
		DOVER WHITE	WU			
		ROYAL MALLOW	3A			
69 112B		SCREW, MIRROR	8218-69-118	2	(FOR REM. CTRL. MIRROR) (GS, GSL, GSL-SE)	
			8341-69-178	2	(FOR REM. CTRL. MIRROR) (GS, GSL, GSL-SE)	
			8871-69-178	4	(FOR MANUAL MIRROR) (S)	
			8980-69-178A	4		
69 116		BASE (R), MIRROR	8341-69-131	1	(FOR REM. CTRL. MIRROR) (GS, GSL, GSL-SE)	
			8871-69-117A	1	(FOR MANUAL MIRROR) (S)	

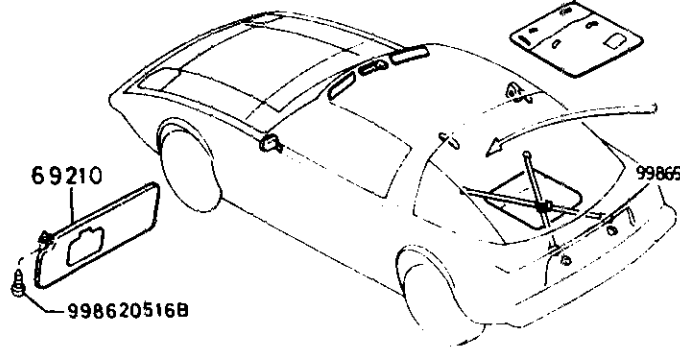
6900A-2 VISOR, ASSIST HANDLE & MIRRORS



998620616B

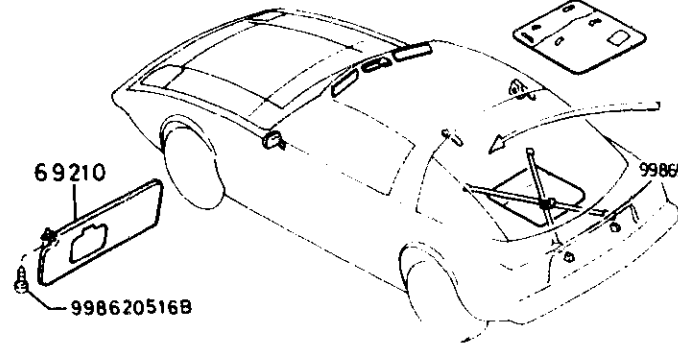
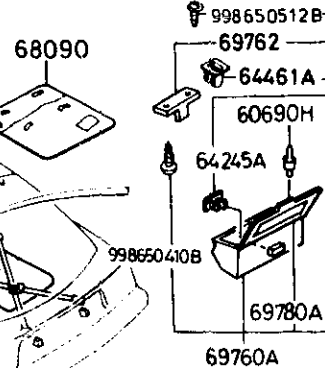
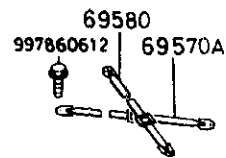
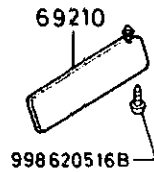
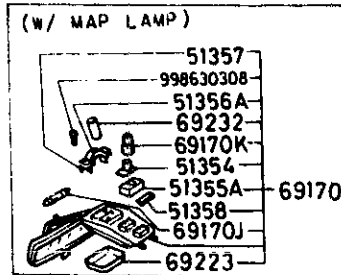
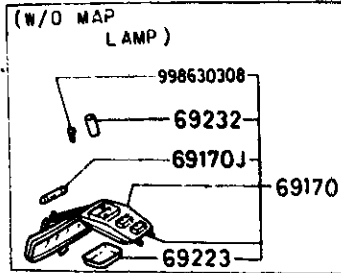
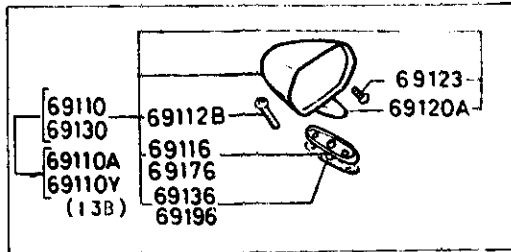


69760A



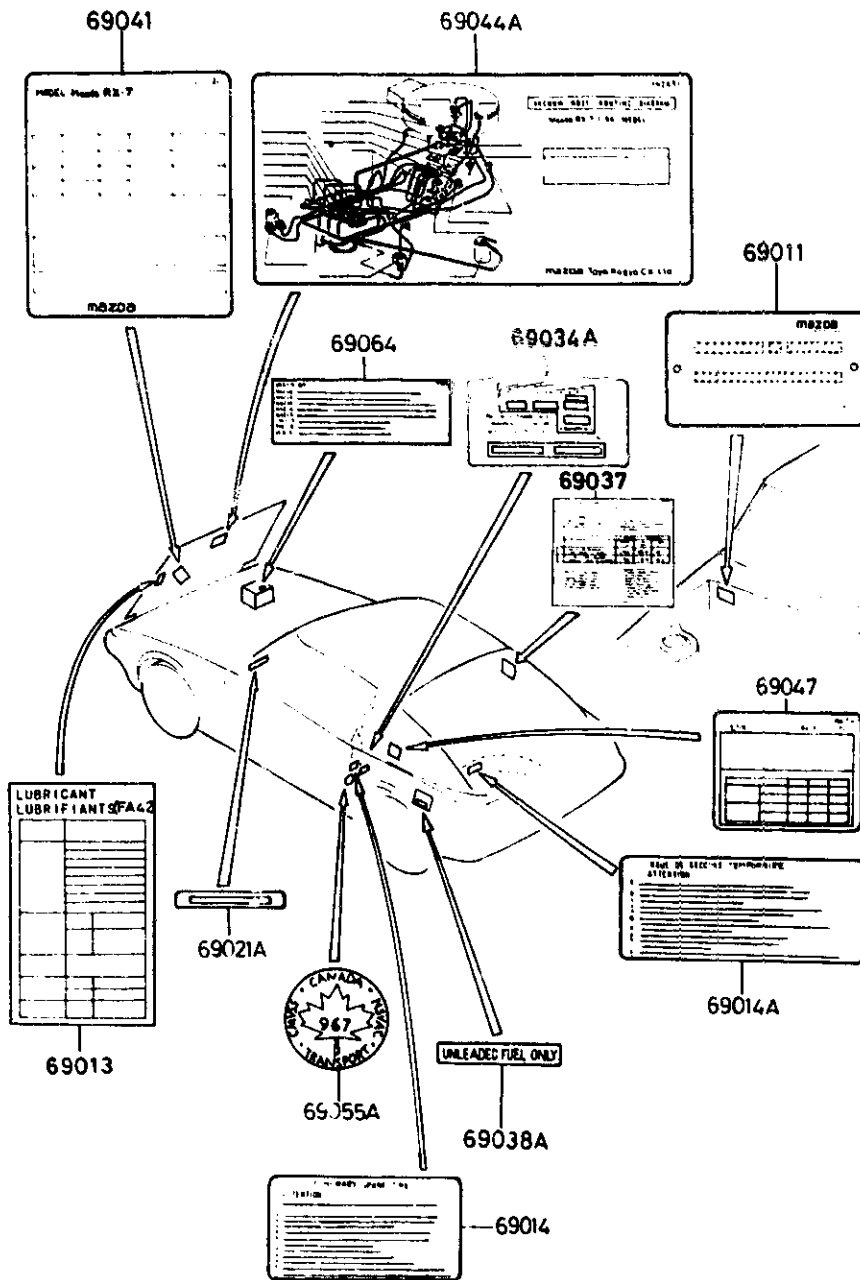
ITEM NO.	D-CODE	DESCRIPTION	PART NO.	QTY	MODEL/DESCRIPTION	REMARKS
69 120A		STAY (R), MIRROR	8341-69-122	1	(FOR REM. CTRL. MIRROR) (GS, GSL, GSL-SE)	
		STAY (L), MIRROR	8341-69-182	1	(FOR REM. CTRL. MIRROR) (GS, GSL, GSL-SE)	
69 123		SCREW, MIRROR	8341-69-123	4		
69 130		MIRROR (L), REAR VIEW	8341-69-170A	1	(REM. CONTROL) (GS, GSL, GSL-SE)	
			8871-69-170B	1	(MANUAL TYPE) (S)	
69 136		GASKET (R), MIRROR	8341-69-115	1	13B (GSL-SE) FROM APR. '85 PROD.	FB33* 893766-
69 170		MIRROR, INTERIOR	FA01-69-220A	1	(W. MAP LAMP) (GS, GSL, GSL-SE)	
			FA03-69-220A	1	(W O MAP LAMP) (S)	
69 170J		BULB	0000-11-3175	1		
69 170K		BULB	0000-11-0194	1	(MAP LAMP) (GS, GSL, GSL-SE)	
69 176		BASE (L), MIRROR	8341-69-191	1	(FOR REM. CTRL. MIRROR) (GS, GSL, GSL-SE)	
			8871-69-177A	1	(FOR MANUAL MIRROR) (S)	
69 196		GASKET (L), MIRROR	8341-69-116	1		
69 210		SUN VISOR (R)	FA56-69-270A	1		
		RED	16			
		OFF-BLACK	63			
		BROWN	77			
		SUN VISOR (L)	FA54-69-320A	1	NORM. ROOF	
		RED	16			
		OFF-BLACK	63			
		BROWN	77			
			FA56-69-320A	1	SUNROOF	
		RED	16			
		OFF-BLACK	63			
		BROWN	77			
69 223		LENS, INTERIOR MIRROR	FA01-51-351A	1		
69 232		STOPPER, RUBBER	FA01-69-232	1		
69 570A		STRAP 'A', CARGO ROOM	FA54-69-571	2		
		WINE	10			
		OFF-BLACK	65			
		BROWN	78			
69 580		STRAP 'B', CARGO ROOM	FA54-69-572	2		
		WINE	10			
		OFF-BLACK	65			
		BROWN	78			

6900A-3 VISOR, ASSIST HANDLE & MIRRORS



ITEM NO.	D-CODE	DESCRIPTION	PART NO.	QTY	MODEL/DESCRIPTION	REMARKS
69 760A		BOX, STORAGE	FA54-69-760B	1		
		GRAY-OFF-BLACK	09			
		RED	10			
		BROWN	78			
69 762		PLATE, LOCK	FA42-69-762			
69 780A		LID, STORAGE BOX	FA54-69-780B	1		
		RED	10			
		BROWN	78			
69 941		HANGER, COAT	0376-69-941B	1		
		GRAY	00			
		BLACK	01			

6930A-1 CAUTION PLATES & LABEL



ITEM NO.	D-CODE	DESCRIPTION	PART NO	QTY	MODEL DESCRIPTION	REMARKS
69 011		PLATE MODEL	8595-69-011B	1		
69 013		LABEL, OIL	FA42-69-013	1		
69 014		LABEL, TIRE	FA42-69-014B	1	12A (S. GS. GSU)	
			FA66-69-014B	1	13B (GSI-SE)	
69 014A		LABEL, TEMPORARY TIRE	FA02-69-073A	1		
69 021A		PLATE, CAUTION	GA02-69-068	1		
69 034A		LABEL, CAUTION-MYSS	8374-69-034A	1		
69 038A		LABEL, GASOLINE WHITE	FA01-69-065 01	1		FB33* 800001-909987
			< A > 0000-88-UNLD-LB	1		
69 041		LABEL, EMISSION	N249-69-036A	1	12A FED	
			N249-69-036B	1	12A FED	FB33* 850001-
			N251-69-036A	1	12A CAL (S. GS. GSU) THRU MAY '84 PROD	FB33* 800001-850000
			N251-69-036B	1	12A CAL (S. GS. GSU) FROM JUN '84 PROD	FB33* 850001-
			N304-69-036A	1	13B FED (GSI-SE) THRU MAY '84 PROD	FB33* 800001-850000
			N304-69-036B	1	13B FED (GSI-SE) FROM JUN '84 PROD	FB33* 850001-
			N305-69-036B	1	13B CAL (GSI-SE) THRU MAY '84 PROD.	FB33* 800001-850000
			N305-69-036C	1	13B CAL (GSI-SE) FROM JUN '84 PROD.	FB33* 850001-
69 044A		LABEL, VAC DIPHRAGM	N249-69-044A	1	12A FED (S. GS. GSU) THRU MAY '84 PROD	FB33* 800001-850000
			N249-69-044B	1	12A FED (S. GS. GSU) FROM JUN '84 PROD	FB33* 850001-
			N304-69-044A	1	13B FED (GSI-SE) THRU MAY '84 PROD.	FB33* 800001-850000
			N304-69-044B	1	13B FED (GSI-SE) JUN '84 TO FEB '85 PROD.	FB33* 8500001-889473
			N304-69-044C	1	13B (GSI-SE) FROM MAR '85 PROD	FB33* 889474-
69 047		LABEL, EMISSION DECAL	UB05-69-047A	1	CAL	
69 064		LABEL, BATTERY	FA03-69-064A	1	FED	